

1/4 DUTY LCD DRIVER

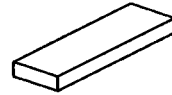
■ GENERAL DESCRIPTION

The NJU6438 is a 1/4 duty LCD driver for segment type LCD panel.

The LCD driver consists of 4-common and 40-segment drives up to 160 segments.

The rectangle outline is useful the COG applications.

■ PACKAGE OUTLINE

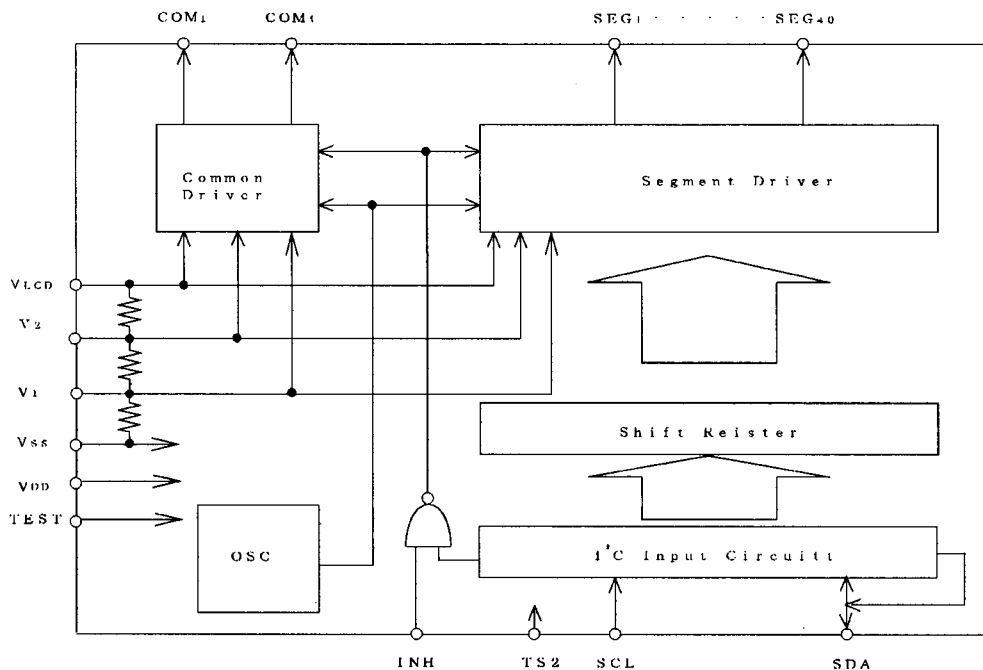


NJU6438CH

■ FEATURES

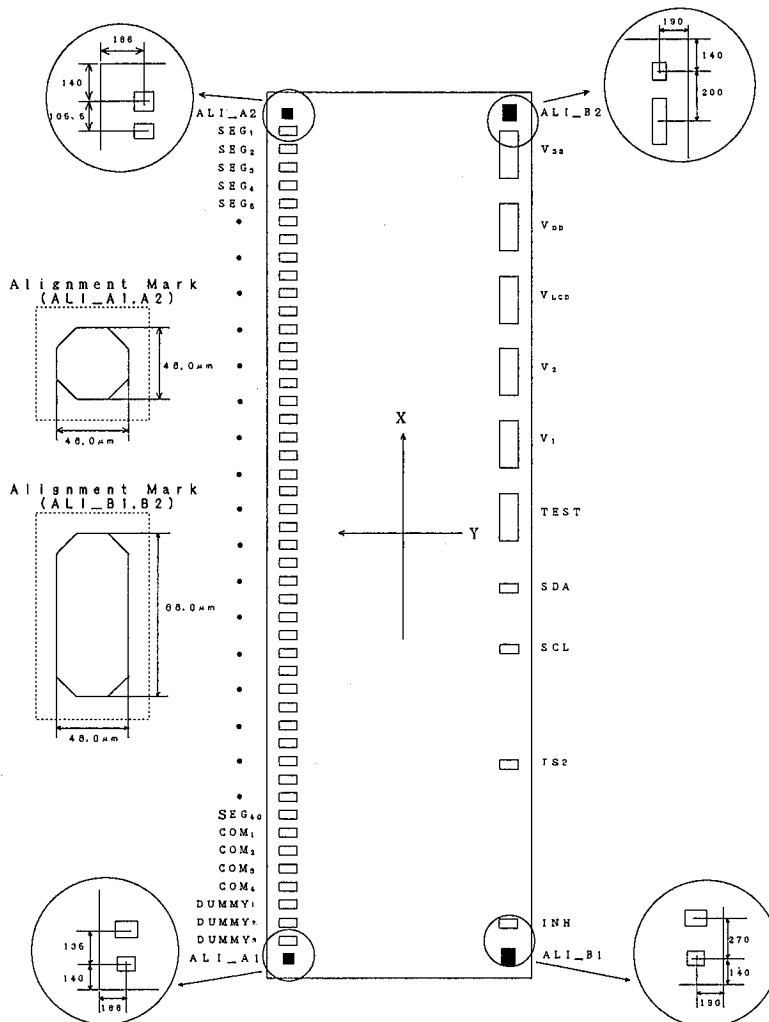
- 40 Segment Drivers
- Duty and Bias Ratio : 1/4Duty, 1/3Bias (up to 160 segments)
- I²C BUS Interface* (Shift Clock 100kHz max.)
- Oscillation Circuit On-chip
- Display Off Function (INH Terminal or Command Input Data)
- I²C BUS Interface With Microprocessor
- Frame Frequency (70Hz typ.)
- Operating Voltage — 2.4~3.6V
- LCD Driving Voltage — 6.0V Max.
- Package Outline — Bumped Chip
- C-MOS Technology

■ BLOCK DIAGRAM



* Purchase of I²C components of New Japan Radio Co., Ltd or one of its sublicensed Associated Companies conveys a license under the Philips I²C Patent Rights to use these components in an I²C system, provided that the system conforms to the I²C Standard Specification as defined by Philips.

■ PAD LOCATION



- Chip size : 5.12mm x 1.56mm
- Chip center : X=0µm, Y=0µm
- Chip thickness : 400±30µm
- Pad size : 50µm x 100µm
- V₁, V₂, V_{LCD}, V_{DD}, V_{SS} Terminal is 250µm x 100µm
- Bump height : 25µmTYP.
- Bump material : Au

■:4th Mark is the Alignment Mark.

The Alignment Mark is useful the COG Assembly.

■ COORDINATES

 Chip Size 5.12x1.56mm(Chip Center X=0 μ m, Y=0 μ m)

No	Terminal	X=(μ m)	Y=(μ m)	No	Terminal	X=(μ m)	Y=(μ m)
1	INH	-2150.0	-590.0	32	SEG ₂₂	214.5	594.0
2	TS ₂	-1240.0	-590.0	33	SEG ₂₃	114.5	594.0
3	SCL	-494.0	-590.0	34	SEG ₂₄	14.5	594.0
4	SDA	-178.0	-590.0	35	SEG ₂₅	-85.5	594.0
5	TEST	206.0	-590.0	36	SEG ₂₆	-185.5	594.0
6	V ₁	660.0	-590.0	37	SEG ₂₇	-285.5	594.0
7	V ₂	1040.0	-590.0	38	SEG ₂₈	-385.5	594.0
8	V _{LCD}	1430.0	-590.0	39	SEG ₂₉	-485.5	594.0
9	V _{DD}	1820.0	-590.0	40	SEG ₃₀	-585.5	594.0
10	V _{SS}	2220.0	-590.0	41	SEG ₃₁	-685.5	594.0
11	SEG ₁	2314.5	594.0	42	SEG ₃₂	-785.5	594.0
12	SEG ₂	2214.5	594.0	43	SEG ₃₃	-885.5	594.0
13	SEG ₃	2114.5	594.0	44	SEG ₃₄	-985.5	594.0
14	SEG ₄	2014.5	594.0	45	SEG ₃₅	-1085.5	594.0
15	SEG ₅	1914.5	594.0	46	SEG ₃₆	-1185.5	594.0
16	SEG ₆	1814.5	594.0	47	SEG ₃₇	-1285.5	594.0
17	SEG ₇	1714.5	594.0	48	SEG ₃₈	-1385.5	594.0
18	SEG ₈	1614.5	594.0	49	SEG ₃₉	-1485.5	594.0
19	SEG ₉	1514.5	594.0	50	SEG ₄₀	-1585.5	594.0
20	SEG ₁₀	1414.5	594.0	51	COM ₁	-1685.5	594.0
21	SEG ₁₁	1314.5	594.0	52	COM ₂	-1785.5	594.0
22	SEG ₁₂	1214.5	594.0	53	COM ₃	-1885.5	594.0
23	SEG ₁₃	1114.5	594.0	54	COM ₄	-1985.5	594.0
24	SEG ₁₄	1014.5	594.0	55	DUMMY1 ※	-2085.5	594.0
25	SEG ₁₅	914.5	594.0	56	DUMMY2 ※	-2185.5	594.0
26	SEG ₁₆	814.5	594.0	57	DUMMY3 ※	-2285.5	594.0
27	SEG ₁₇	714.5	594.0		ALI_A1	-2420.0	594.0
28	SEG ₁₈	614.5	594.0		ALI_A2	2420.0	594.0
29	SEG ₁₉	514.5	594.0		ALI_B1	-2420.0	-590.0
30	SEG ₂₀	414.5	594.0		ALI_B2	2420.0	-590.0
31	SEG ₂₁	314.5	594.0		—	—	—

※DUMMY PAD

■ TERMINAL DESCRIPTION

NO.	SYMBOL	F U N C T I O N
1	INH	Display-Off Control Terminal : When display goes to off, the display data in the shift-register is retained. "H" : Display-Off "L" : Display-On ※ Display-off control changed by command input data. In case of difference command, priority is "off".
2	TS ₂	Connect to the V _{DD} or V _{SS} .
3	SCL	Serial Data Transmission Clock Input Terminal : LCD display data are input synchronized SCL clock signal rise edge.
4	SDA	Serial Data Input Terminal Data input timing : SCL clock rise edge
5	TEST	Maker Testing Terminal (Normally Open)
6	V ₁	LCD Driver Voltage Adjust Terminal
7	V ₂	LCD Driver Voltage Adjust Terminal
8	V _{LCD}	Power Supply for LCD Driving
9	V _{DD}	Power Supply (+3V)
10	V _{SS}	Power Supply (0V)
11~50	SEG ₁ ~ SEG ₄₀	LCD Segment Output Terminals
51~54	COM ₁ ~ COM ₄	LCD Common Output Terminals

■ FUNCTIONAL DESCRIPTION

(1) Operation of each block

(1-1) Oscillation Circuit

This circuits supply the fundamental clock signal to other circuits like as common driver and segment driver.

(1-2) Shift-Register

This register is to read display data for 160-bit. When the display "ON", this register data outputs into SEG terminals usually. In this time, when the data input, take care about the frequency of shift clock.

(1-3) Common Divider Circuit

This circuit divides the oscillating signal to generate the common timing.

(1-4) Segment Divider Circuit

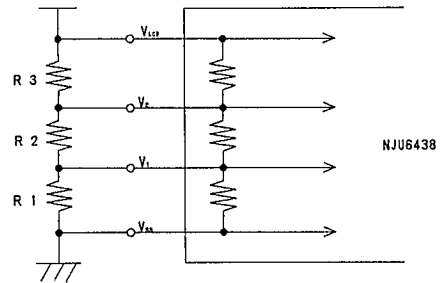
This circuit divides the oscillating signal to generate the segment timing.

(1-5) I²C Input Circuit

This circuit change the I²C format input data(SCL, SDA) to control signal of the circuit. This circuit generate the confirmation signal, decode of command (display on/off), CLK/data supply with shift register.

(1-6) The LCD Driver Voltage Adjust circuit

The internal Bleeder Resistance sets 1/3 bias, and LCD Driver ability can be increased by connecting external resistance.



(2) Display Data input timing, correspond to segment and common terminal

NJU6438 is controlled by I²C bus using the SCL and the SDA terminals. Attention is shown below.

ⓄNJU6438 is a receive-only slave.

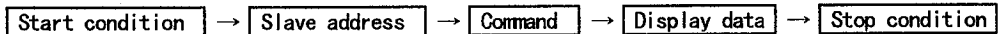
ⓄSlave address data is "0111 0010". (LSB data is direction. 0;receive)

ⓄNJU6438 also doesn't correspond to the general call address. ✖

✖The address is addressing all of installation connected by I²C bus. (Address Data:0000 0000)

The data transfer is available, when this flow-chart is executed shown bellow.

(1-bite = 8-bit)



When the data transferred exactly, NJU6438 output "L" level signal from SDA terminal as acknowledge signal each 8-bit.

[start condition]

A fall-edge of the SDA line while the SCL is "H" level is defined as a start condition.

[1st bite:slave address]

1st bite defines the slave address of NJU6438 and the data direction. The 8-bit data "0111 0010" is required as the 1st bite, 1st—7th bits mean the slave address and 8th bit means the direction. NJU6438 is a receive-only slave IC, so if "1" is input to the 8th bit, the acknowledge bit doesn't output. NJU6438 also doesn't correspond to the general call address.

[2nd bite:command]

2nd bite defines a command. In case of "0" into the 8th bit, all of the segment terminals output non-display waves regardless of the contents of the sift-register. In case of "1", they output normal display waves. The common waves don't change in both cases. However while the INH terminal is "H" level, all segment terminals output non-display waves in spite of "0" into the 8th bit. In this case the contents of the sift-register aren't reset but the last data remain in them.

[3—22bite:display data]

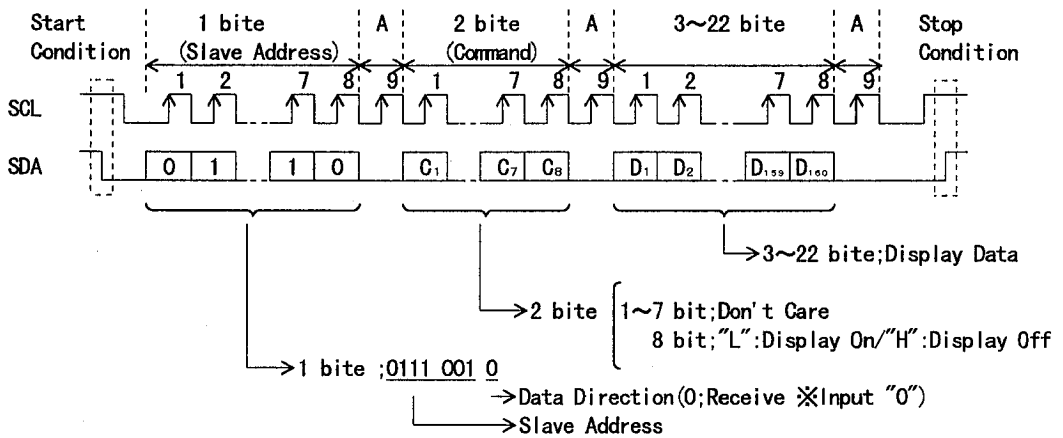
3rd — 22nd byte define the display data. The acknowledge bit outputs after the each byte through the SDA terminal. The display data are required 160-bit (20-bite).

[stop condition]

A rise-edge of the SDA line while the SCL is "H" level is defined as a stop condition.

The transmission is stopped by the rise-edge into the SDA terminal when the SCL terminal is "H" level. The writing data hasn't been accepted since stop condition.

• Display Data Correspond to Segment Status (I²C bus mode)



※ Whole 160bits data transfer to the shift register. When the input data is less than 160 bits, parts which bit data is inputted corresponded to display, and segment which correspond to the rest part in "off".

In case of over then 160bits, front 160bits from Stop condition is valid.

- Input data correspond to Segment Status

The "H" input data correspond to segment "ON" and "L" correspond to "OFF".

Data (D1...D160)	Segment Status
"H"	ON
"L"	OFF

- Display Data Correspond to Segment and Common Terminals

Segment	Data	COM ₁	COM ₂	COM ₃	COM ₄
SEG ₁	D ₁ D ₂ D ₃ D ₄	○	○	○	○
SEG ₂	D ₅ D ₆ D ₇ D ₈	○	○	○	○
⋮	⋮	⋮	⋮	⋮	⋮
SEG ₃₉	D ₁₅₃ D ₁₅₄ D ₁₅₅ D ₁₅₆	○	○	○	○
SEG ₄₀	D ₁₅₇ D ₁₅₈ D ₁₅₉ D ₁₆₀	○	○	○	○

■ ABSOLUTE MAXIMUM RATINGS

(Ta=25°C)

PARAMETER	SYMBOL	RATING	UNIT
Operating Voltage (1)	V _{DD}	-0.3 ~ +7.0	V
Operating Voltage (2)	V _{LCD}	-0.3 ~ +7.0	V
Operating Voltage (3)	V ₁ , V ₂	-0.3 ~ +7.0	V
Input Voltage	V _{IN}	-0.3 ~ V _{DD}	V
Operating Temperature	T _{OPR}	-20 ~ +75	°C
Storage Temperature	T _{STG}	-55 ~ +125	°C

Note 1) If the LSI are used on condition above the absolute maximum ratings, the LSI may be destroyed. Using the LSI within electrical characteristics is strongly recommended for normal operation. Use beyond the electric characteristics conditions will cause malfunction and poor reliability.

Note 2) All voltage values are specified as V_{SS} = 0 V

Note 3) The relation: V_{LCD} ≥ V₂ ≥ V₁ ≥ V_{SS} must be maintained.

Note 4) Decoupling capacitor should be connected between V_{DD} and V_{SS} due to the stabilized operation.

ELECTRICAL CHARACTERISTICS

· DC Characteristics

 (Ta=25°C, V_{DD}=3.0V, V_{SS}=0V, V_{LCD}=6.0V)

PARAMETER	SYMBOL	CONDITIONS	MIN	TYP	MAX	UNIT	NOTE
Operating Voltage (1)	Recommend V _{DD}	V _{DD} Terminal	2.4	3.0	3.6	V	
	Available V _{DD}	V _{DD} Terminal	2.4	3.0	5.5	V	
Operating Voltage (2)	V _{LCD}	V _{LCD} Terminal	2.0		6.0	V	
Operating Voltage (3)	V ₂	V ₂ Terminal	V ₁	2/3V _{LCD}	V _{LCD}	V	
Operating Voltage (4)	V ₁	V ₁ Terminal	0.7	1/3V _{LCD}	V ₂	V	
"H" Input Voltage	V _{IH}	SCL, SDA, INH Terminals	0.7V _{DD}		V _{DD}	V	
"L" Input Voltage	V _{IL}	SCL, SDA, INH Terminals	V _{SS}		0.3V _{DD}	V	
"H" Input Current	I _{IH}	SCL, SDA, INH Terminals V _{IN} =V _{DD}			5	μA	
"L" Input Current	I _{IL}	SCL, SDA, INH Terminals V _{IN} =V _{SS}			5	μA	
"H" Output Voltage(1)	V _{OH(1)}	SEG ₁ ~SEG ₄₀ Term., I _o = -1μA	V _{LCD} -0.6			V	5
"L" Output Voltage(1)	V _{OL(1)}	SEG ₁ ~SEG ₄₀ Term., I _o = 1μA			V _{SS} +0.6	V	5
Middle Level Voltage 1/3 (1)	V _{MS1/3}	SEG ₁ ~SEG ₄₀ Term., I _o =±1μA	1/3V _{LCD} -0.6	1/3V _{LCD}	1/3V _{LCD} +0.6	V	5
Middle Level Voltage 2/3 (1)	V _{MS2/3}	SEG ₁ ~SEG ₄₀ Term., I _o =±1μA	2/3V _{LCD} -0.6	2/3V _{LCD}	2/3V _{LCD} +0.6	V	5
"H" Output Voltage(2)	V _{OH(2)}	COM ₁ ~COM ₄ Term., I _o = -30μA	V _{LCD} -0.6			V	6
"L" Output Voltage(2)	V _{OL(2)}	COM ₁ ~COM ₄ Term., I _o = 30μA			V _{SS} +0.6	V	6
Middle Level Voltage 1/3 (2)	V _{MC1/3}	COM ₁ ~COM ₄ Term., I _o = ±1μA	1/3V _{LCD} -0.6	1/3V _{LCD}	1/3V _{LCD} +0.6	V	6
Middle Level Voltage 2/3 (2)	V _{MC2/3}	COM ₁ ~COM ₄ Term., I _o = ±1μA	2/3V _{LCD} -0.6	2/3V _{LCD}	2/3V _{LCD} +0.6	V	6
"L" Output Voltage(3)	V _{OL(3)}	SDA I _o = 3mA			V _{SS} +0.4	V	6
Operating Current (1)	I _{DD}	V _{DD} Terminal V _{DD} =3.0V V _{LCD} OPEN		15	25	μA	7
Operating Current (2)	I _{LCD}	V _{LCD} Terminal V _{DD} =3.0V V _{LCD} =6.0V		18	28	μA	8
Hysteresis Voltage	V _H	SCL Terminal, V _{DD} =3.0V	0.3			V	

Note 5) Segment terminals except measurement terminal are open.

Note 6) Common terminals except measurement terminal are open.

 Note 7) SCL, SDA terminals are connected V_{SS}./INH terminal is connected V_{DD}./TEST terminal is open.

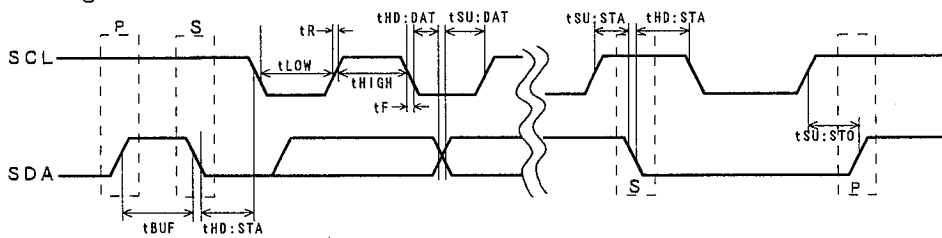
 Note 8) SCL, SDA, INH terminals are measurement terminal are connected V_{SS}./TEST terminal is open.

• AC Characteristics

 (Ta=25°C, V_{DD}=3.0V, V_{SS}=0V, V_{LCD}=6.0V)

PARAMETER	SYMBOL	CONDITIONS	MIN	TYP	MAX	UNIT
SCL Frequency	t _{BUF}	SCL	0	—	100	KHz
Bus Open Time	t _{BUF}	SCL, SDA	4.7	—	—	μs
Start Condi. Hold Time	t _{HD:STA}	SCL, SDA	4.0	—	—	μs
"L" SCL Pulse Width	t _{LOW}	SCL	4.7	—	155	μs
"H" SCL Pulse Width	t _{HIGH}	SCL	4.0	—	415	μs
Start Condi. Set-up Time	t _{SU:STA}	SCL, SDA	4.7	—	155	μs
SDA Data Hold Time	t _{HD:DAT}	SCL, SDA	0	—	—	μs
SDA Data Set-up Time	t _{SU:DAT}	SDA, SDA	250	—	—	ns
SCL Rise Time	t _R	SCL, SDA	—	—	1	μs
SCL Fall Time	t _F	SCL, SDA	—	—	300	ns
Stop Condi. Set-up Time	t _{SU:STO}	SCL, SDA	4.7	—	—	μs

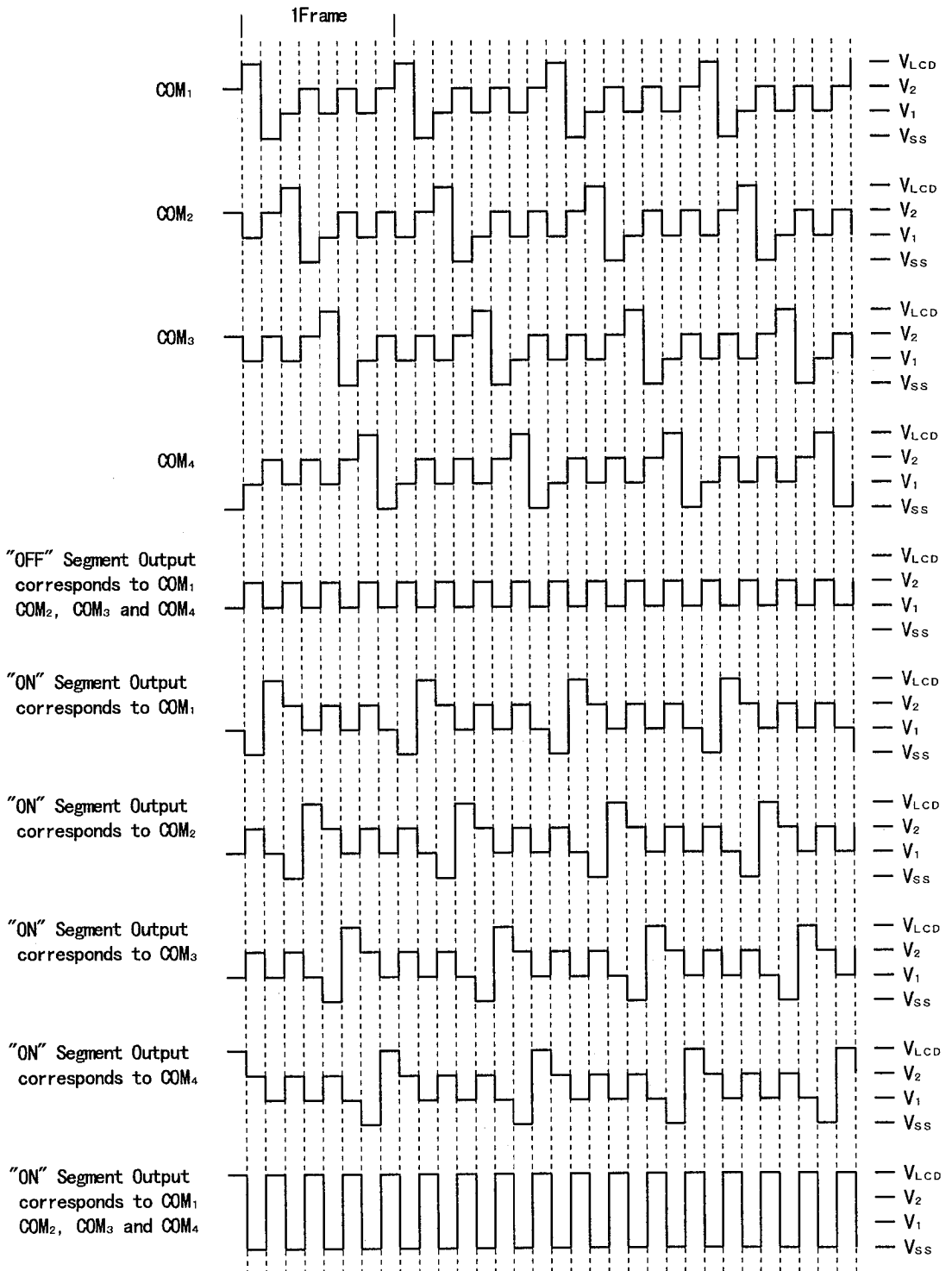
• Input Timing Characteristics



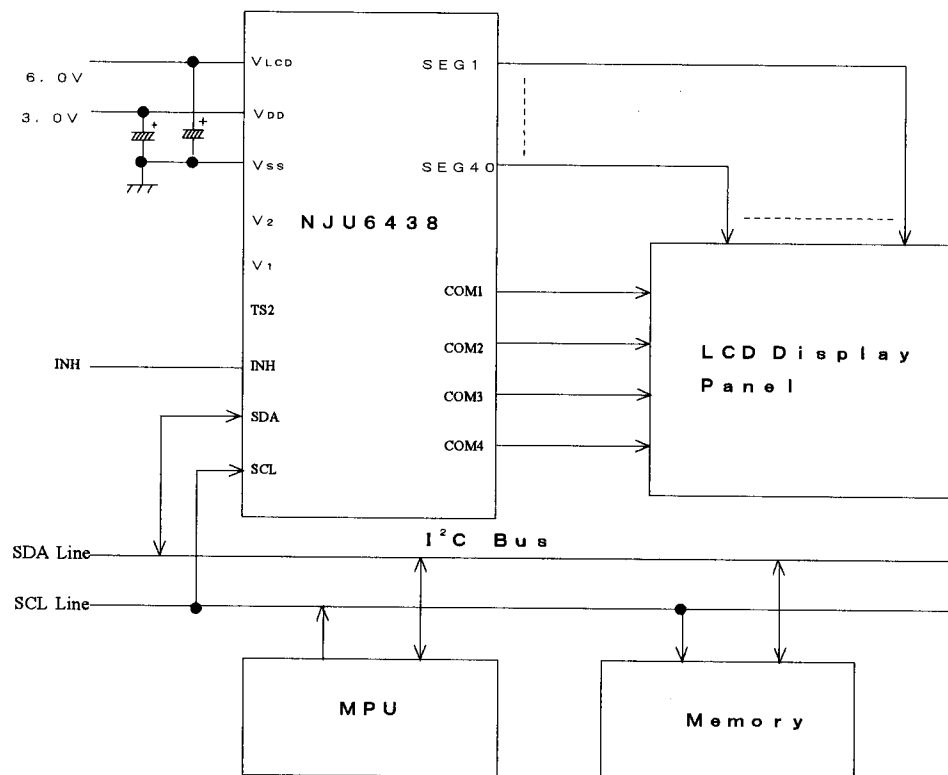
• Frame Frequency

PARAMETER	SYMBOL	CONDITIONS	MIN	TYP	MAX	UNIT
Frame Frequency	f _o	COM1~4, SEG1~32	45	70	140	KHz

■ LCD Driving Waveform(1/4DUTY · 1/3BIAS)



■ APPLICATION CIRCUIT 1
 · 1/4 DUTY LCD Driver · I²C Bus Interface



(Note) The internal display data is undefined when V_{DD} is just turned on.
 To avoid the meaningless display, please keep the INH terminal at "H" until proper display data has been transferred.
 In order to set the initial condition, 160-bit blank data or the first 160-bit data to be displayed should be transferred.

MEMO

[CAUTION]

The specifications on this databook are only given for information, without any guarantee as regards either mistakes or omissions. The application circuits in this databook are described only to show representative usages of the product and not intended for the guarantee or permission of any right including the industrial rights.