

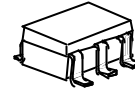
## 800MHz BAND MIXER GaAs MMIC

### ■GENERAL DESCRIPTION

NJG1551F is a mixer GaAs MMIC featured low distortion, high conversion gain and low noise figure. NJG1551F includes a mixer and a local amplifier, and ideally suitable for 800MHz band digital mobile phone handsets.

The very small MTP package is adopted.

### ■PACKAGE OUTLINE



NJG1551F

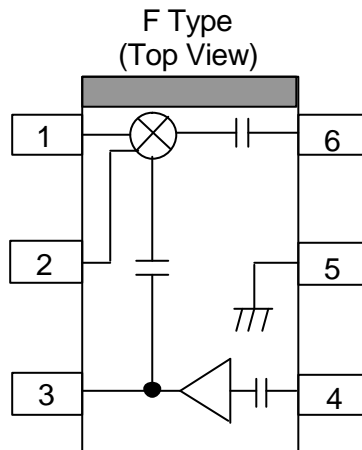
### ■FEATURES

- Low voltage operation
- High conversion gain
- High IP3

+2.7V  
 13dB typ. @ $f_{RF}=820\text{MHz}$ ,  $P_{LO}=-10\text{dBm}$ ,  $P_{RF}=-30\text{dBm}$   
 OIP3=12dBm typ. @ $f_{RF1}=820.0\text{MHz}$ ,  $f_{RF2}=820.1\text{MHz}$   
 $P_{LO}=-10\text{dBm}$ ,  $P_{RF}=-30\text{dBm}$   
 IIP3=-1dBm typ. @ $f_{RF1}=820.0\text{MHz}$ ,  $f_{RF2}=820.1\text{MHz}$   
 $P_{LO}=-10\text{dBm}$ ,  $P_{RF}=-30\text{dBm}$   
 5dB typ. @ $f_{RF}=820\text{MHz}$ ,  $P_{LO}=-10\text{dBm}$   
 MTP6 (Mount Size: 2.8x2.9x1.2mm)

- Low noise figure
- Package

### ■PIN CONFIGURATION



#### Pin Connection

1. IFOUT
2. BPC
3. VLO
4. LOIN
5. GND
6. RFIN

NOTE :The portion above shows orientation mark printed on the package surface.

# NJG1551F

## ■ABSOLUTE MAXIMUM RATINGS

( $T_a=25^{\circ}\text{C}$ ,  $Z_s=Z_l=50\Omega$ )

PARAMETERS	SYMBOL	CONDITIONS	RATINGS	UNITS
Mixer Supply Voltage	$V_{\text{MIX}}$		5	V
Local Amplifier Supply Voltage	$V_{\text{LO}}$		5	V
Mixer RF Input Power	$P_{\text{RFIN}}$	$V_{\text{MIX}}=2.7\text{V}$ , $V_{\text{LO}}=2.7\text{V}$	10	dBm
Mixer LO Input Power	$P_{\text{LOIN}}$	$V_{\text{MIX}}=2.7\text{V}$ , $V_{\text{LO}}=2.7\text{V}$	10	dBm
Power Dissipation	$P_{\text{D}}$		150	mW
Operating Temp.	$T_{\text{opr}}$		-30~+85	$^{\circ}\text{C}$
Storage Temp.	$T_{\text{stg}}$		-40~+150	$^{\circ}\text{C}$

## ■RECOMMENDED OPERATING RANGE

PARAMETER	SYMBOL	MIN	TYP	MAX	UNITS
Mixer Supply Voltage	$V_{\text{MIX}}$	2.5	2.7	4.5	V
Local Amplifier Supply Voltage	$V_{\text{LO}}$	2.5	2.7	4.5	V

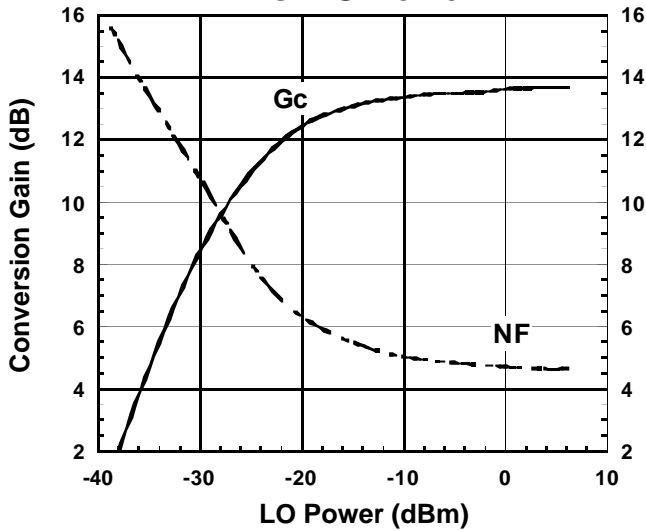
## ■ELECTRICAL CHARACTERISTICS

( $T_a=25^{\circ}\text{C}$ ,  $V_{\text{MIX}}=2.7\text{V}$ ,  $V_{\text{LO}}=2.7\text{V}$ ,  $f_{\text{IF}}=130\text{MHz}$ ,  $P_{\text{LO}}=-10\text{dBm}$ )

PARAMETERS	SYMBOL	CONDITIONS	MIN	TYP	MAX	UNITS
Mixer Current	$I_{\text{MIX}}$	$P_{\text{RF}}=\text{OFF}$ , $P_{\text{LO}}=\text{OFF}$	-	5.0	7.0	mA
Local Amplifier Current	$I_{\text{LO}}$	$P_{\text{RF}}=\text{OFF}$ , $P_{\text{LO}}=\text{OFF}$	-	2.0	3.2	mA
Conversion Gain	$G_{\text{C}}$	$f_{\text{RF}}=820\text{MHz}$ , $P_{\text{RF}}=-30\text{dBm}$ $f_{\text{LO}}=690\text{MHz}$	9.5	13.0	-	dB
Input 3rd Order Intercept Point	IIP3	$f_{\text{RF}}=820.0\text{MHz}+820.1\text{MHz}$ $f_{\text{LO}}=690\text{MHz}$	-	-1.0	-	dBm
Noise Figure	NF	$f_{\text{RF}}=820\text{MHz}$ $f_{\text{LO}}=690\text{MHz}$	-	5.0	6.0	dB

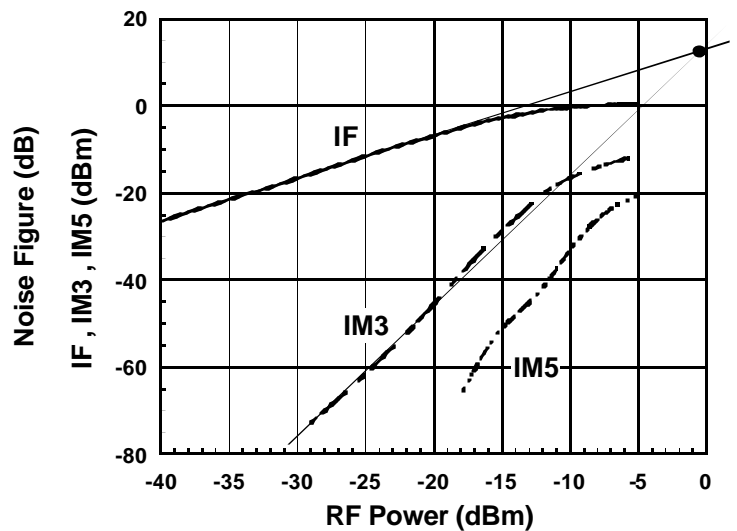
## TYPICAL CHARACTERISTICS (Application 1, $f_{LO}=690\text{MHz}$ )

### Conversion Gain , Noise Figure vs. LO Power



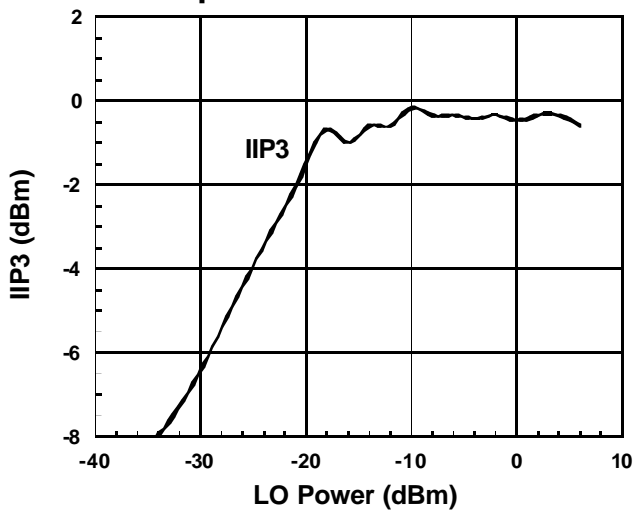
Condition  
 $f_{IF}=130\text{MHz}$   
 $f_{RF}=820\text{MHz}$ ,  $P_{RF}=-30\text{dBm}$   
 $f_{LO}=690\text{MHz}$   
 $V_{MIX}=V_{LO}=2.7\text{V}$

### IF , IM3 , IM5 vs. RF Power



Condition  
 $f_{IF}=130\text{MHz}$   
 $f_{RF1}=820.0\text{MHz}$   
 $f_{RF2}=820.1\text{MHz}$   
 $f_{LO}=690\text{MHz}$ ,  $P_{LO}=-10\text{dBm}$   
 $V_{MIX}=V_{LO}=2.7\text{V}$

### Input-IP3 vs. LO Power

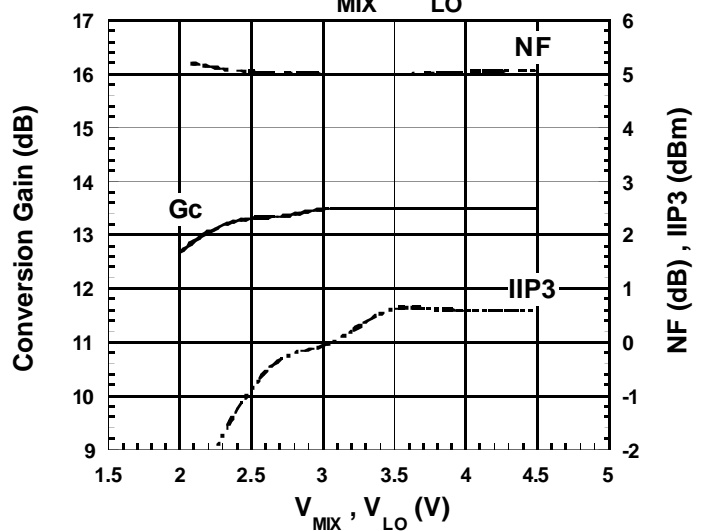


Condition  
 $f_{IF}=130\text{MHz}$   
 $f_{RF1}=820.0\text{MHz}$ ,  $P_{RF}=-30\text{dBm}$   
 $f_{RF2}=820.1\text{MHz}$   
 $f_{LO}=690\text{MHz}$   
 $V_{MIX}=V_{LO}=2.7\text{V}$

$$IIP3 = \frac{3IF - IM3}{2} - G_c$$

@  $P_{RF} = -27\text{dBm}$

### Conversion Gain , Noise Figure , Input-IP3 vs. $V_{MIX}$ , $V_{LO}$



Condition  
 $f_{IF}=130\text{MHz}$   
 $f_{RF1}=820.0\text{MHz}$ ,  $P_{RF}=-30\text{dBm}$   
 $f_{RF2}=820.1\text{MHz}$   
 $f_{LO}=690\text{MHz}$ ,  $P_{LO}=-10\text{dBm}$

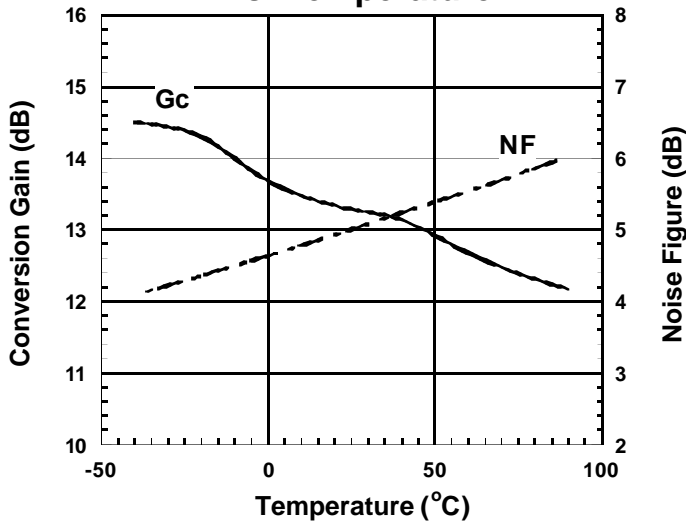
$$IIP3 = \frac{3IF - IM3}{2} - G_c$$

@  $P_{RF} = -27\text{dBm}$

# NJG1551F

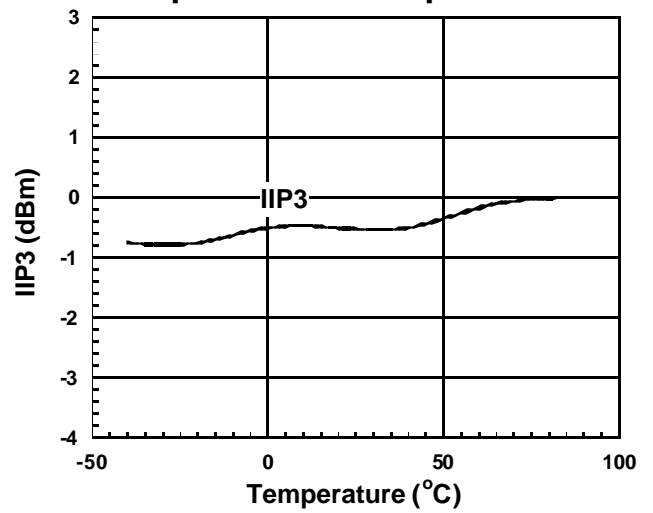
## TYPICAL CHARACTERISTICS (Continued)

### Conversion Gain , Noise Figure vs. Temperature



Condition  
 $f_{IF}=130\text{MHz}$   
 $f_{RF}=820\text{MHz}, P_{RF}=-30\text{dBm}$   
 $f_{LO}=690\text{MHz}, P_{LO}=-10\text{dBm}$   
 $V_{MIX}=V_{LO}=2.7\text{V}$

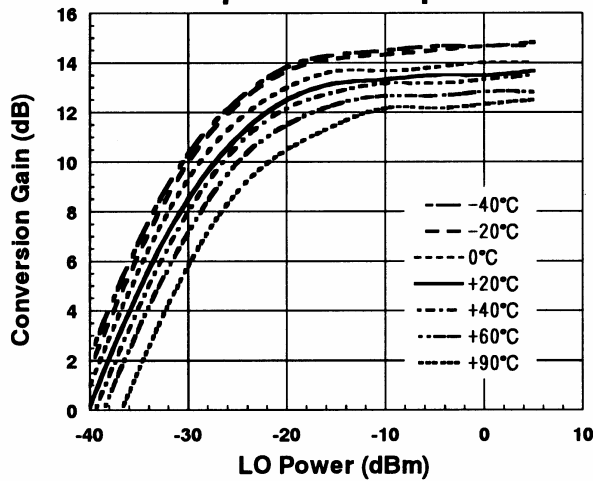
### Input-IP3 vs. Temperature



Condition  
 $f_{IF}=130\text{MHz}$   
 $f_{RF1}=820.0\text{MHz}, P_{RF}=-30\text{dBm}$   
 $f_{RF2}=820.1\text{MHz}$   
 $f_{LO}=690\text{MHz}, P_{LO}=-10\text{dBm}$   
 $V_{MIX}=V_{LO}=2.7\text{V}$

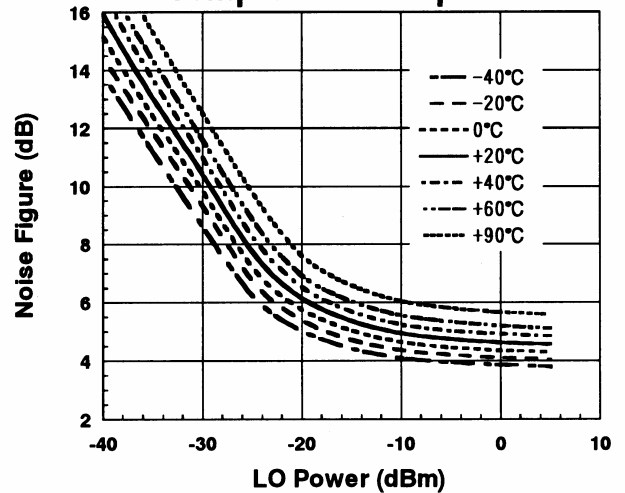
$$IIP3 = \frac{3IF-IM3}{2} - G_c @ P_{RF}=-27\text{dBm}$$

### Conversion Gain vs. LO Power Temperature Response



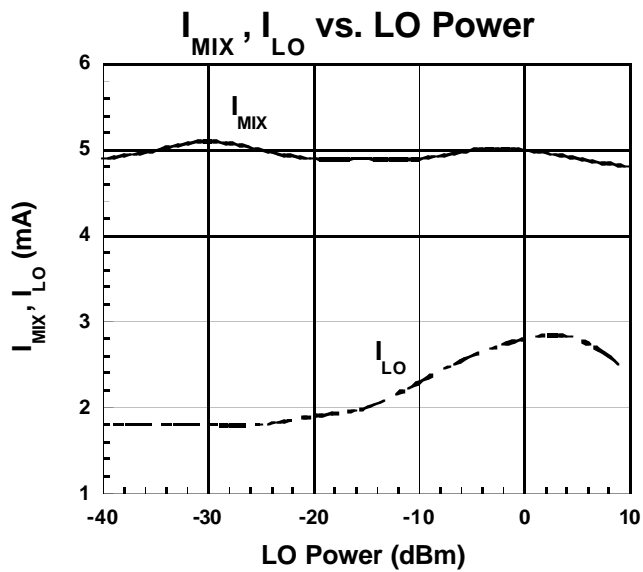
Condition  
 $f_{IF}=130\text{MHz}$   
 $f_{RF}=820\text{MHz}, P_{RF}=-30\text{dBm}$   
 $f_{LO}=690\text{MHz}$   
 $V_{MIX}=V_{LO}=2.7\text{V}$

### Noise Figure vs. LO Power Temperature Response

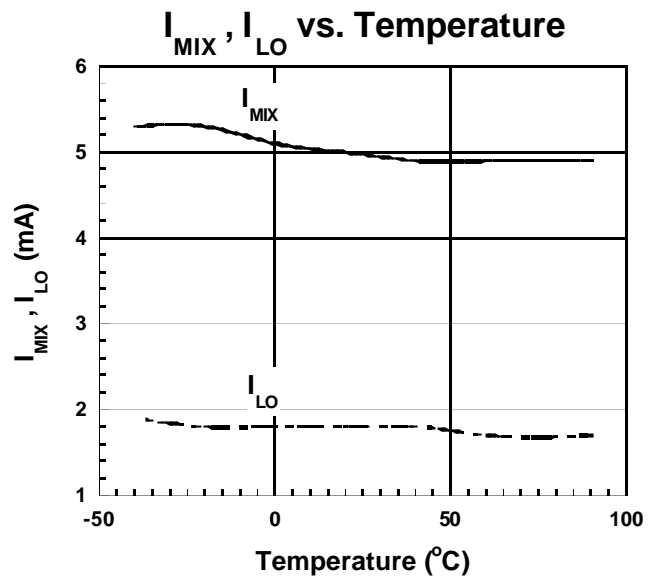


Condition  
 $f_{IF}=130\text{MHz}$   
 $f_{RF}=820\text{MHz}$   
 $f_{LO}=690\text{MHz}$   
 $V_{MIX}=V_{LO}=2.7\text{V}$

## TYPICAL CHARACTERISTICS (Continued)

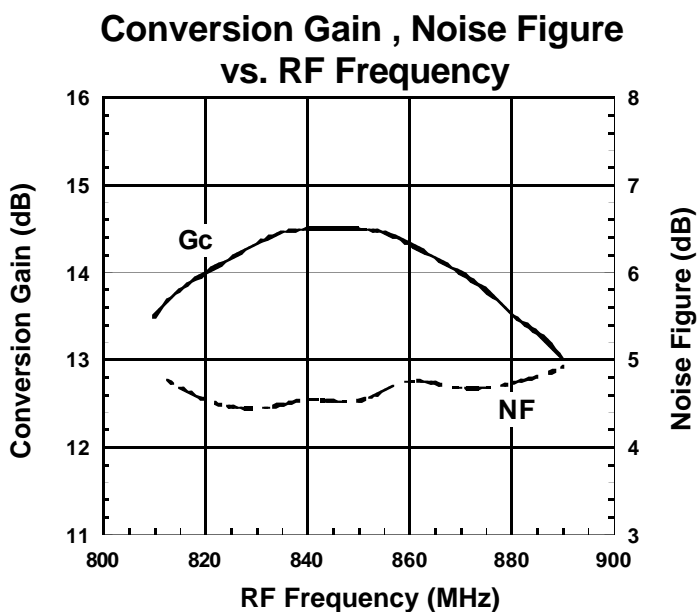


Condition  
 $f_{RF}=820\text{MHz}$ ,  $P_{RF}=-30\text{dBm}$   
 $f_{LO}=690\text{MHz}$   
 $V_{MIX}=V_{LO}=2.7\text{V}$



Condition  
 $P_{RF}=\text{OFF}$   
 $P_{LO}=\text{OFF}$   
 $V_{MIX}=V_{LO}=2.7\text{V}$

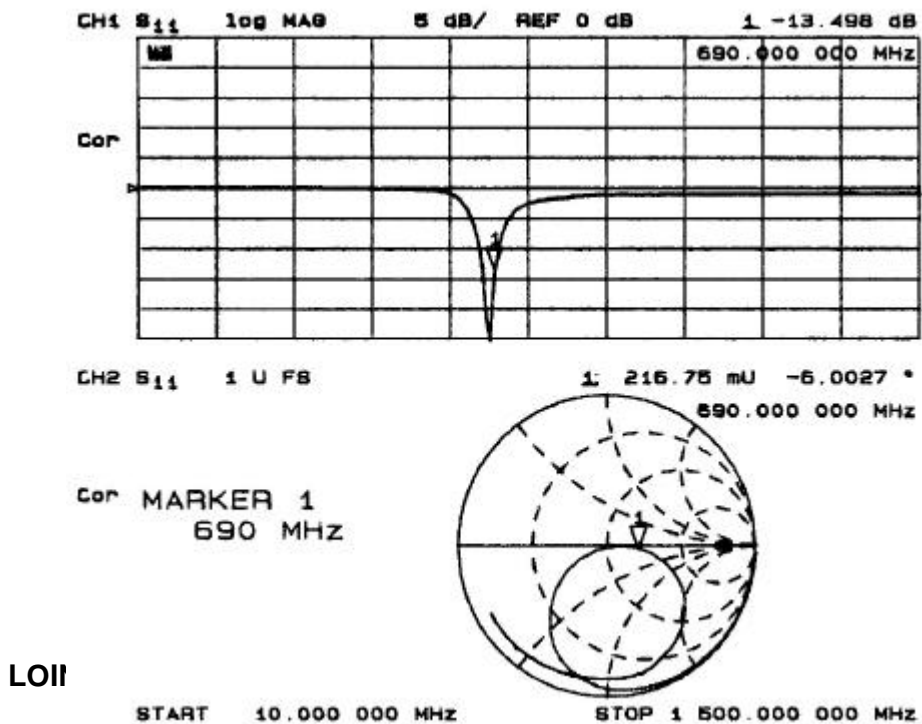
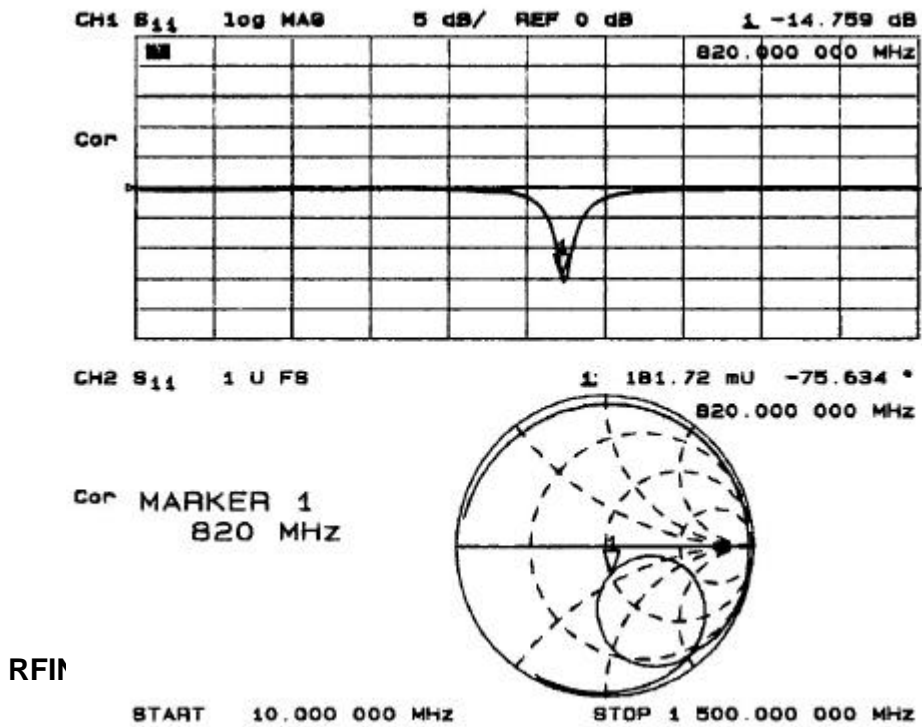
## TYPICAL CHARACTERISTICS (Application 1, $f_{LO}=720\text{MHz}$ )



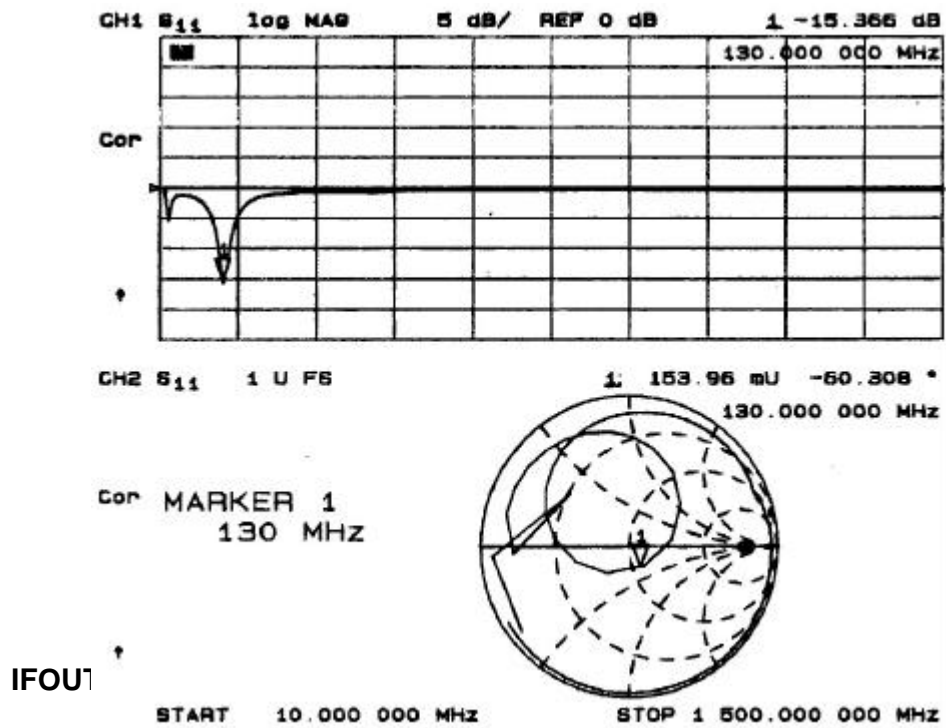
Condition  
 $f_{IF}=130\text{MHz}$   
 $P_{RF}=-30\text{dBm}$   
 $P_{LO}=-10\text{dBm}$   
 $V_{MIX}=V_{LO}=2.7\text{V}$   
 Lower LOCAL

# NJG1551F

## TYPICAL CHARACTERISTICS (Application 1, $f_{LO}=690\text{MHz}$ )



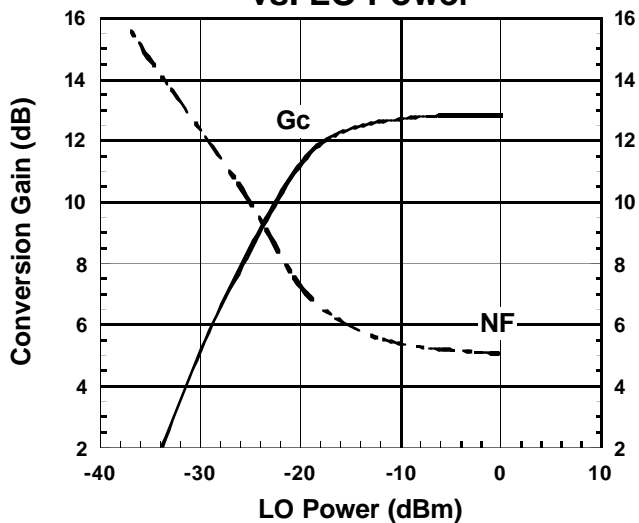
## TYPICAL CHARACTERISTICS (Continued)



# NJG1551F

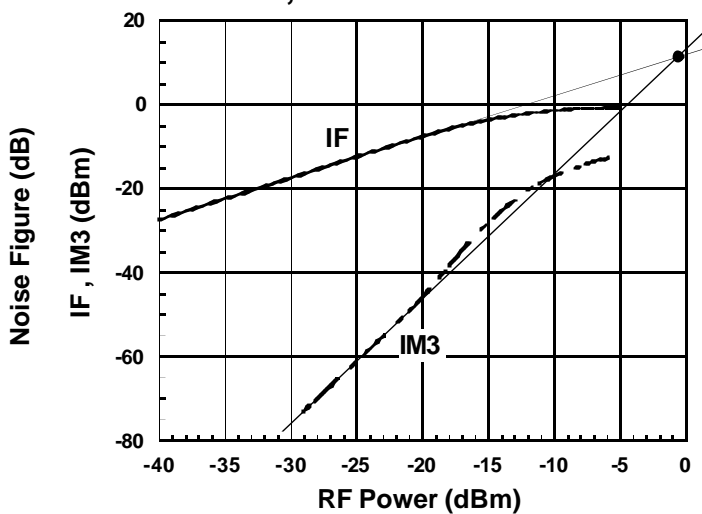
## ■ TYPICAL CHARACTERISTICS (Application 2, $f_{LO}=796.12\text{MHz}$ )

### Conversion Gain , Noise Figure vs. LO Power



Condition  
 $f_{IF}=85.38\text{MHz}$   
 $f_{RF}=881.5\text{MHz}$ ,  $P_{RF}=-30\text{dBm}$   
 $f_{LO}=796.12\text{MHz}$   
 $V_{MIX}=V_{LO}=2.7\text{V}$

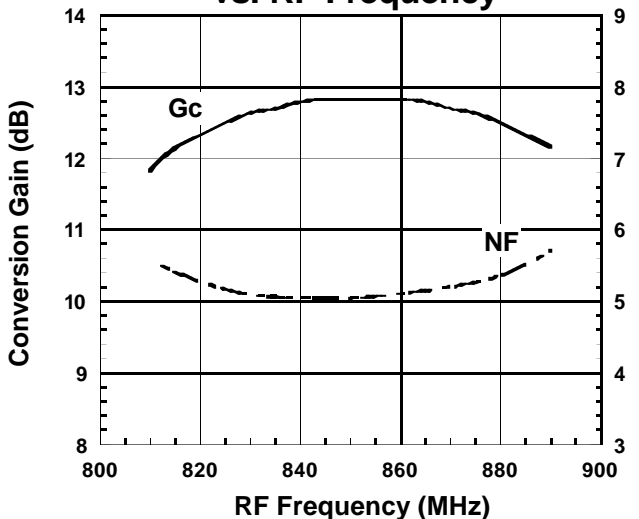
### IF , IM3 vs. RF Power



Condition  
 $f_{IF}=85.38\text{MHz}$   
 $f_{RF1}=881.5\text{MHz}$   
 $f_{RF2}=881.6\text{MHz}$   
 $f_{LO}=796.12\text{MHz}$ ,  $P_{LO}=-10\text{dBm}$   
 $V_{MIX}=V_{LO}=2.7\text{V}$

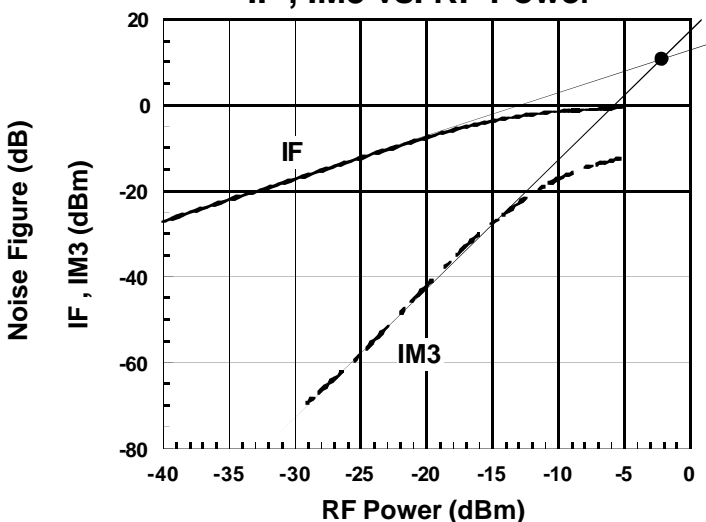
## ■ TYPICAL CHARACTERISTICS (Application 2, $f_{LO}=980\text{MHz}$ )

### Conversion Gain , Noise Figure vs. RF Frequency



Condition  
 $f_{IF}=130\text{MHz}$   
 $P_{RF}=-30\text{dBm}$   
 $P_{LO}=-10\text{dBm}$   
 $V_{MIX}=V_{LO}=2.7\text{V}$

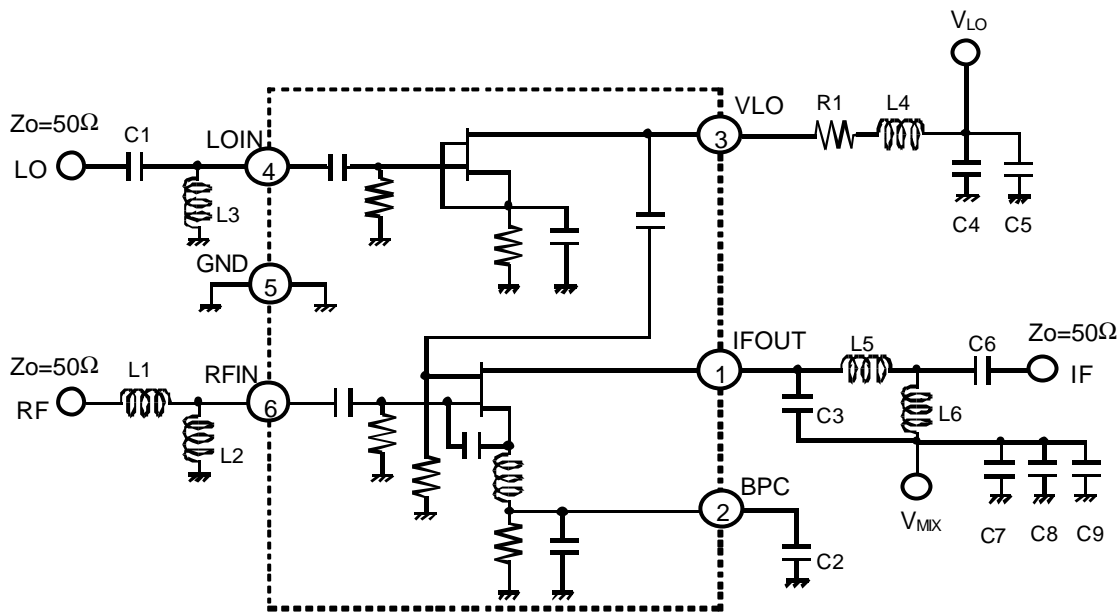
### IF , IM3 vs. RF Power



Condition  
 $f_{IF}=130\text{MHz}$   
 $f_{RF1}=850.0\text{MHz}$   
 $f_{RF2}=850.1\text{MHz}$   
 $f_{LO}=980\text{MHz}$ ,  $P_{LO}=-10\text{dBm}$   
 $V_{MIX}=V_{LO}=2.7\text{V}$



## APPLICATION CIRCUIT 1 (Application 1)

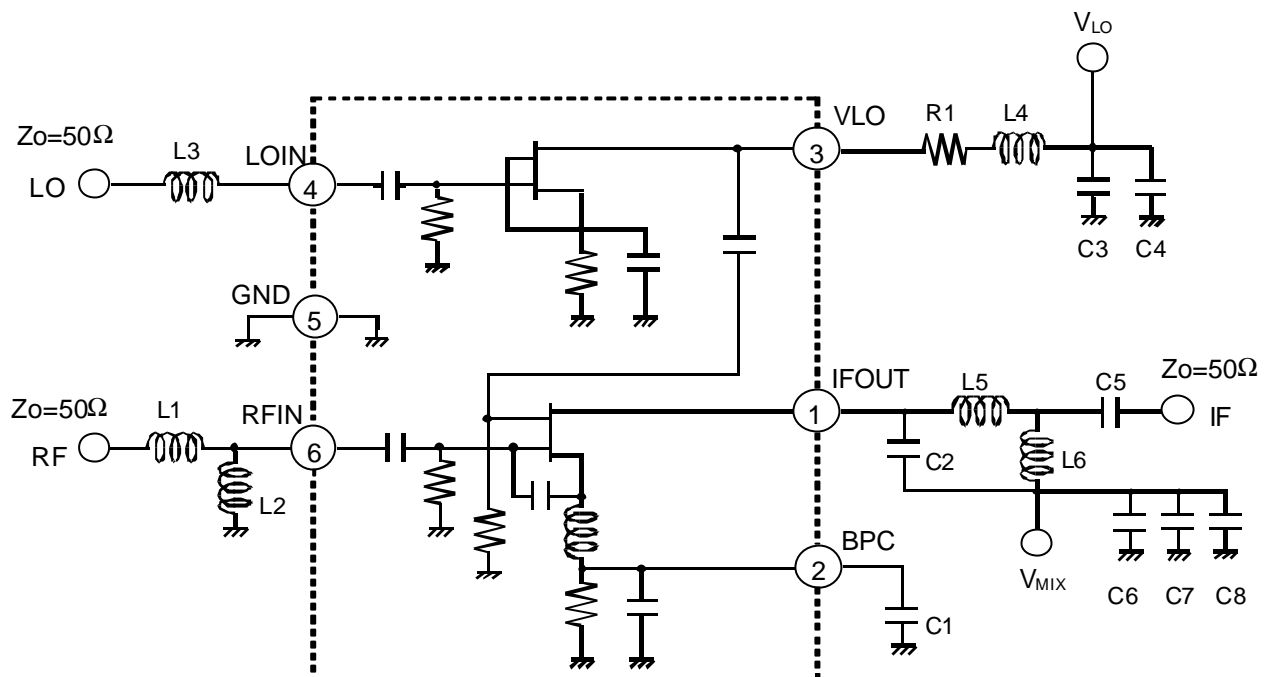


### PARTS LIST

PART ID	800MHz BAND		COMMENT
	Lower LOCAL	Lower LOCAL	
	$f_{LO}=690\text{MHz}$ $f_{IF}=130\text{MHz}$	$f_{LO}=720\text{MHz}$ $f_{IF}=130\text{MHz}$	
L1	39nH	33nH	TAIYO-YUDEN (HK1608)
L2	27nH	27nH	TAIYO-YUDEN (HK1608)
L3	22nH	18nH	TAIYO-YUDEN (HK1608)
L4	33nH	33nH	TAIYO-YUDEN (HK1608)
L5	82nH	82nH	TAIYO-YUDEN (HK1608)
L6	56nH	56nH	TAIYO-YUDEN (HK1608)
C1	1pF	1pF	MURATA (GRM39)
C2	470pF	470pF	MURATA (GRM39)
C3	11pF	11pF	MURATA (GRM39)
C4	100pF	100pF	MURATA (GRM39)
C5	1000pF	1000pF	MURATA (GRM39)
C6	1000pF	1000pF	MURATA (GRM39)
C7	10pF	10pF	MURATA (GRM39)
C8	100pF	100pF	MURATA (GRM39)
C9	1000pF	1000pF	MURATA (GRM39)
R1	120Ω	120Ω	TAMA Electronics (CRG16G)

# NJG1551F

## APPLICATION CIRCUIT 2 (Application 2)

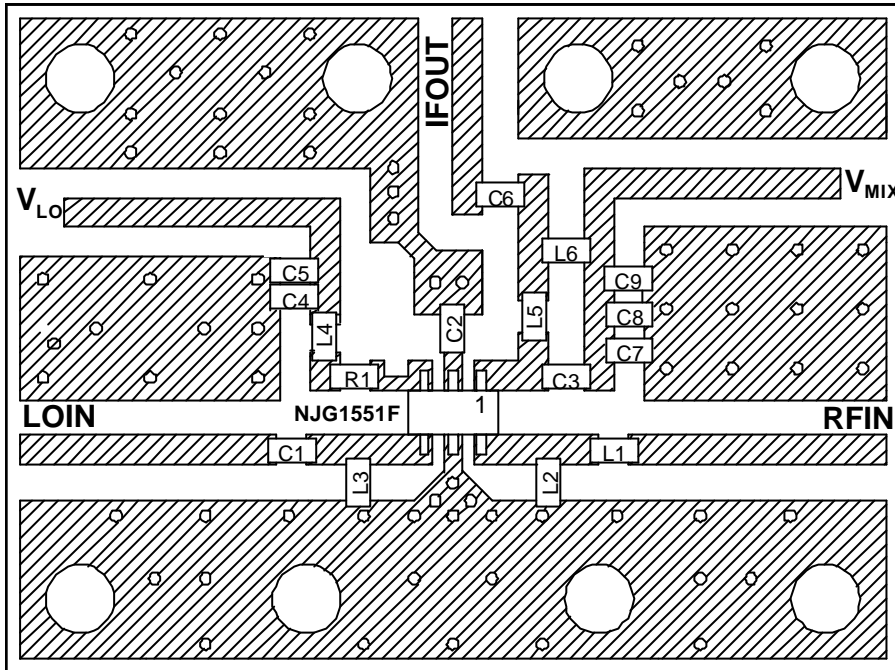


### PARTS LIST

PART ID	800MHz BAND		COMMENT
	Lower LOCAL	Upper LOCAL	
	$f_{LO}=796.12\text{MHz}$ $f_{IF}=85.38\text{MHz}$	$f_{LO}=980\text{MHz}$ $f_{IF}=130\text{MHz}$	
L1	39nH	33nH	TAIYO-YUDEN (HK1608)
L2	22nH	27nH	TAIYO-YUDEN (HK1608)
L3	27nH	18nH	TAIYO-YUDEN (HK1608)
L4	27nH	22nH	TAIYO-YUDEN (HK1608)
L5	100nH	82nH	TAIYO-YUDEN (HK1608)
L6	47nH	56nH	TAIYO-YUDEN (HK1608)
C1	470pF	470pF	MURATA (GRM39)
C2	24pF	11pF	MURATA (GRM39)
C3	100pF	100pF	MURATA (GRM39)
C4	1000pF	1000pF	MURATA (GRM39)
C5	1000pF	1000pF	MURATA (GRM39)
C6	10pF	10pF	MURATA (GRM39)
C7	100pF	100pF	MURATA (GRM39)
C8	1000pF	1000pF	MURATA (GRM39)
R1	100Ω	100Ω	TAMA Electronics (CRG16G)

## RECOMMENDED PCB DESIGN

(TOP VIEW)



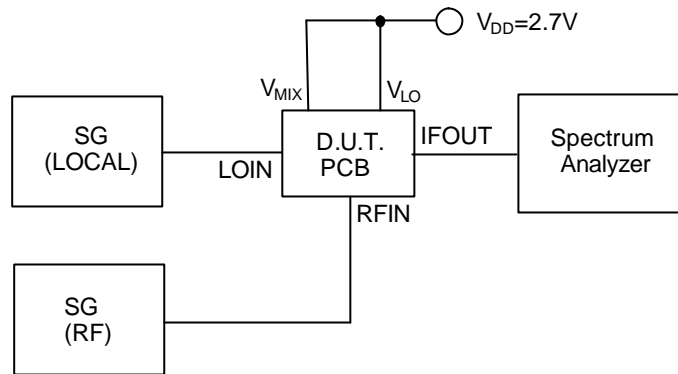
PCB: FR-4,  $t=0.5\text{mm}$   
 STRIPLINE WIDTH=1mm  
 ( $Z_0=50\Omega$ )

(SIZE: 22.5mmx30mm)

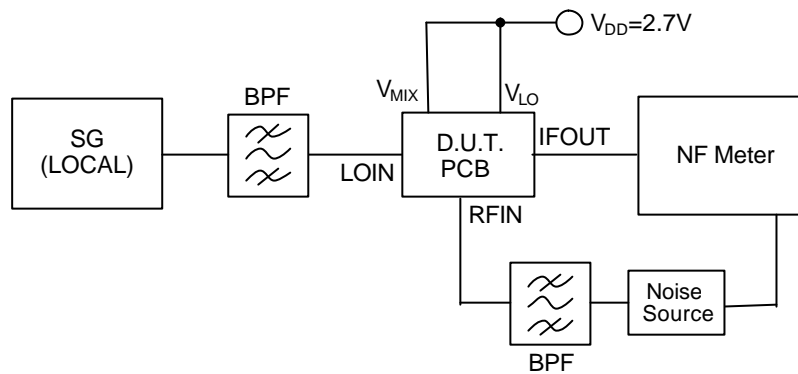
### PRECAUTIONS

- [1] Please locate L4 and R1 close to VLO terminal (3).
- [2] Distance from L1 and RFIN terminal (6) is 3.5mm.
- [3] Distance from C1 and LOIN terminal (4) is 3.5mm.
- [4] Please locate C2 close to BPC terminal (2).
- [5] Please locate C7, C8 and C9 close to C3, L6.
- [6] Please locate C4, C5 close to L4.

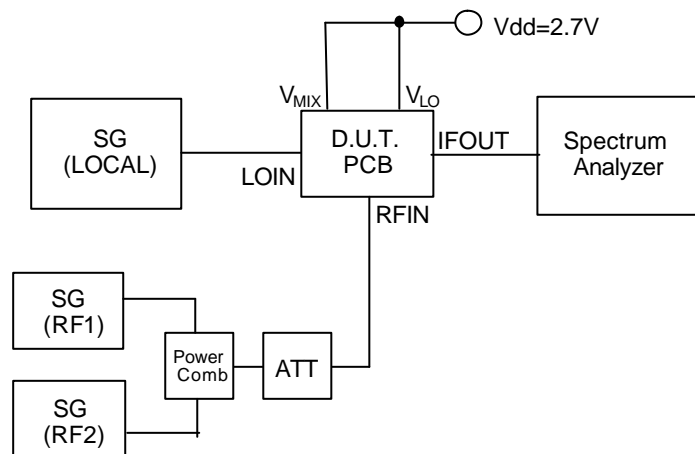
## MEASURING BLOCK DIAGRAM



Conversion Gain Measurement Block Diagram

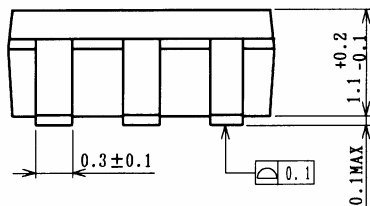
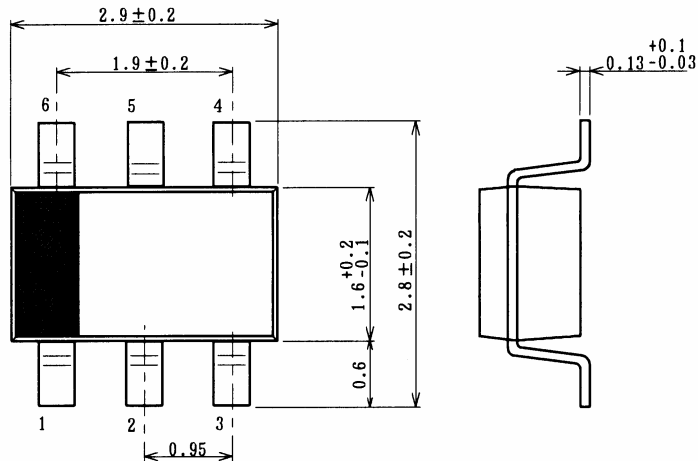


Noise Figure Measurement Block Diagram



IF, IM3, IM5 Measurement Block Diagram

## PACKAGE OUTLINE (MTP6)



Lead material	: Copper
Lead surface finish	: Solder plating
Molding material	: Epoxy resin
UNIT	: mm
Weight	: 14mg

### Cautions on using this product

This product contains Gallium-Arsenide (GaAs) which is a harmful material.

- Do NOT eat or put into mouth.
- Do NOT dispose in fire or break up this product.
- Do NOT chemically make gas or powder with this product.

- To waste this product, please obey the relative law of your country.

### [CAUTION]

The specifications on this databook are only given for information, without any guarantee as regards either mistakes or omissions. The application circuits in this databook are described only to show representative usages of the product and not intended for the guarantee or permission of any right including the industrial rights.

This product may be damaged with electric static discharge (ESD) or spike voltage. Please handle with care to avoid these damages.