

DATA SHEET

BFC505

NPN wideband cascode transistor

Product specification
Supersedes data of 1995 Sep 01
File under Discrete Semiconductors, SC14

1996 Oct 08

NPN wideband cascode transistor

BFC505

FEATURES

- Small size
- High power gain at low bias current and high frequencies
- High reverse isolation
- Low noise figure
- Gold metallization ensures excellent reliability
- Minimum operating voltage $V_{C2-E1} = 1\text{ V}$.

APPLICATIONS

- Low voltage, low current, low noise and high gain amplifiers
- Oscillator buffer amplifiers
- Wideband voltage-to-current converters.

DESCRIPTION

Cascode amplifier with two discrete dies in a surface mount, 5-pin SOT353 (S-mini) package. The amplifier is primarily intended for low power RF communications equipment, such as pagers and has a very low feedback capacitance resulting in high isolation.

PINNING - SOT353

PIN	SYMBOL	DESCRIPTION
1	b_2	base 2
2	e_1	emitter 1
3	b_1	base 1
4	c_1/e_2	collector 1/emitter 2
5	c_2	collector 2

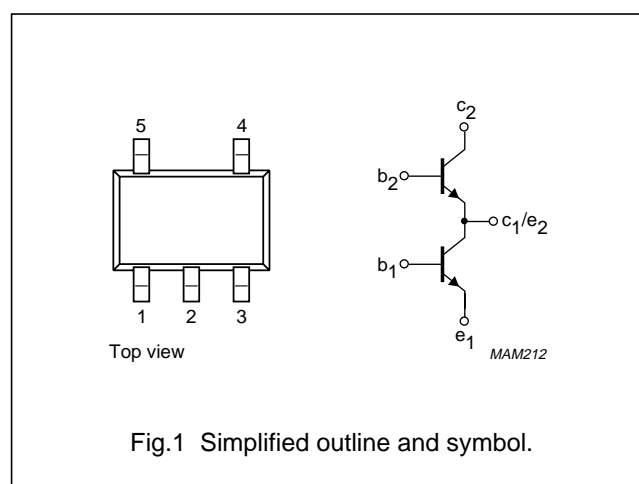


Fig.1 Simplified outline and symbol.

QUICK REFERENCE DATA

b_2 connected to ground via 1 nF (0603) capacitor, e_1 connected directly to ground.

SYMBOL	PARAMETER	CONDITIONS	MIN.	TYP.	MAX.	UNIT
C_{re}	feedback capacitance C_{B1-C2}	$I_e = 0; V_{C2-E1} = 0; f = 1\text{ MHz}$	—	—	10	fF
$ s_{21}/s_{12} ^2$	maximum isolation	$I_C = 5\text{ mA}; V_{C2} = V_{B2} = 3\text{ V}; f = 900\text{ MHz}$	60	—	—	dB
MSG	maximum stable power gain	$I_C = 0.5\text{ mA}; V_{C2} = V_{B2} = 1\text{ V}; f = 900\text{ MHz}; T_{amb} = 25\text{ °C}$	—	22	—	dB
F	noise figure	$I_C = 0.5\text{ mA}; V_{C2-E1} = 1\text{ V}; f = 500\text{ MHz}; \Gamma_S = \Gamma_{opt}$	—	1.1	1.4	dB
		$I_C = 1\text{ mA}; V_{C2-E1} = 3\text{ V}; f = 900\text{ MHz}; \Gamma_S = \Gamma_{opt}$	—	1.8	2.1	dB
$R_{th\ j-s}$	thermal resistance from junction to soldering point	single loaded	—	—	230	K/W
		double loaded	—	—	115	K/W

NPN wideband cascode transistor

BFC505

LIMITING VALUES

In accordance with the Absolute Maximum System (IEC 134).

SYMBOL	PARAMETER	CONDITIONS	MIN.	MAX.	UNIT
Any single transistor					
V_{CBO}	collector-base voltage	open emitter	–	20	V
V_{CEO}	collector-emitter voltage	open base	–	8	V
V_{EBO}	emitter-base voltage	open collector	–	2.5	V
I_C	DC collector current		–	18	mA
P_{tot}	total power dissipation	up to $T_s = 118\text{ °C}$; note 1	–	500	mW
T_{stg}	storage temperature		–65	+175	°C
T_j	junction temperature		–	175	°C

THERMAL CHARACTERISTICS

SYMBOL	PARAMETER	CONDITIONS	VALUE	UNIT
$R_{th\ j-s}$	thermal resistance from junction to soldering point; note 1	single loaded	230	K/W
		double loaded	115	K/W

Note to the Limiting values and Thermal characteristics

- T_s is the temperature at the soldering point of the collector pin.

NPN wideband cascode transistor

BFC505

CHARACTERISTICS

T_j = 25 °C unless otherwise specified.

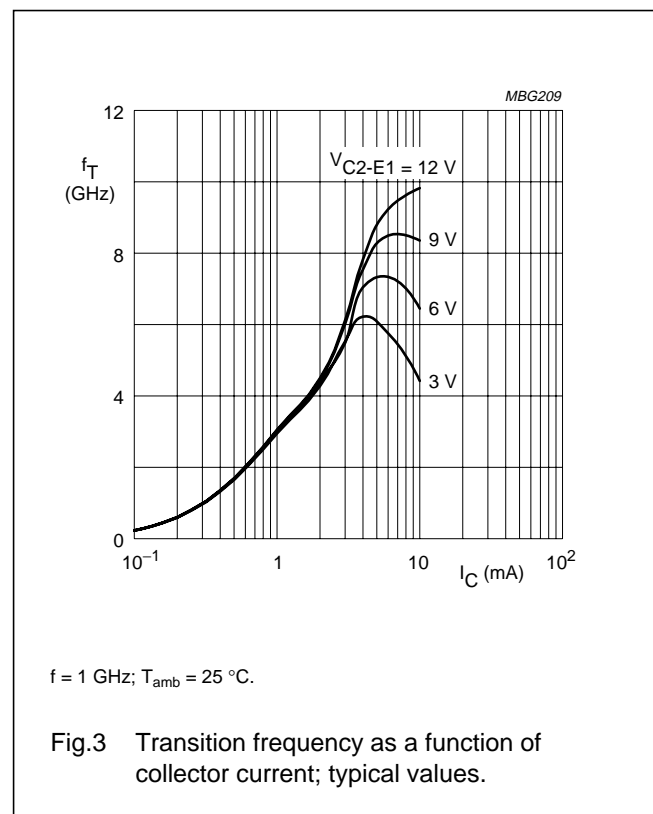
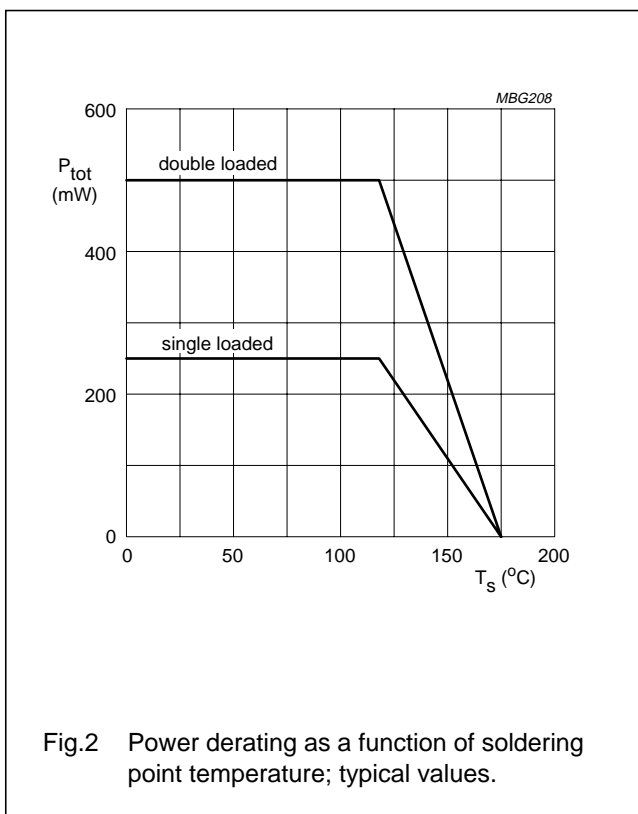
SYMBOL	PARAMETER	CONDITIONS	MIN.	TYP.	MAX.	UNIT
DC characteristics of any single transistor						
V _{(BR)CBO}	collector-base breakdown voltage	I _C = 2.5 μA; I _E = 0	20	–	–	V
V _{(BR)CEO}	collector-emitter breakdown voltage	I _C = 10 μA; I _B = 0	8	–	–	V
V _{(BR)EBO}	emitter-base breakdown voltage	I _E = 2.5 μA; I _C = 0	2.5	–	–	V
I _{CBO}	collector-base leakage current	I _E = 0; V _{CB} = 6 V	–	–	50	nA
h _{FE}	DC current gain	I _C = 5 mA; V _{CE} = 6 V	60	120	250	
AC characteristics of the cascode configuration measured in test circuit (note 1)						
f _T	transition frequency	I _C = 5 mA; V _{C2-E1} = 3 V; f = 1 GHz	–	7.3	–	GHz
C _c	collector capacitance T2	I _E = i _e = 0; V _{C2-B2} = 0; f = 1 MHz	–	0.4	–	pF
C _{re2}	feedback capacitance T2	I _C = 0; V _{C2-E1} = 3 V; f = 1 MHz	–	250		fF
C _{re}	feedback capacitance	I _C = 0; V _{C2-E1} = 3 V; f = 1 MHz	–	–	10	fF
MSG	maximum stable power gain; note 2	I _C = 0.25 mA; V _{C2-E1} = 1 V; f = 300 MHz; T _{amb} = 25 °C	–	25	–	dB
		I _C = 0.5 mA; V _{C2-E1} = 1 V; f = 900 MHz; T _{amb} = 25 °C	–	22	–	dB
		I _C = 5 mA; V _{C2-E1} = 3 V; f = 2 GHz; T _{amb} = 25 °C	–	23	–	dB
S ₂₁ ²	insertion power gain	I _C = 0.5 mA; V _{C2-E1} = 3 V; f = 300 MHz; T _{amb} = 25 °C	–	21	–	dB
		I _C = 5 mA; V _{C2-E1} = 3 V; f = 900 MHz; T _{amb} = 25 °C	–	16	–	dB
		I _C = 5 mA; V _{C2-E1} = 3 V; f = 2 GHz; T _{amb} = 25 °C	–	11	–	dB
S ₂₁ /S ₁₂ ²	maximum isolation; note 3	I _C = 0.5 mA; V _{C2-E1} = 1 V; f = 900 MHz	40	45	–	dB
		I _C = 5 mA; V _{C2-E1} = 3 V; f = 900 MHz	60	68	–	dB
		I _C = 5 mA; V _{C2-E1} = 3 V; f = 2 GHz	40	48	–	dB
F	noise figure	I _C = 0.5 mA; V _{C2-E1} = 1 V; f = 500 MHz; Γ _S = Γ _{opt}	–	1.1	1.4	dB
		I _C = 1 mA; V _{C2-E1} = 3 V; f = 900 MHz; Γ _S = Γ _{opt}	–	1.8	2.1	dB
		I _C = 1 mA; V _{C2-E1} = 1 V; f = 2 GHz; Γ _S = Γ _{opt}	–	3.5	–	dB
IP ₃	third order intercept point (input)	note 4	–	–20	–	dBm

NPN wideband cascode transistor

BFC505

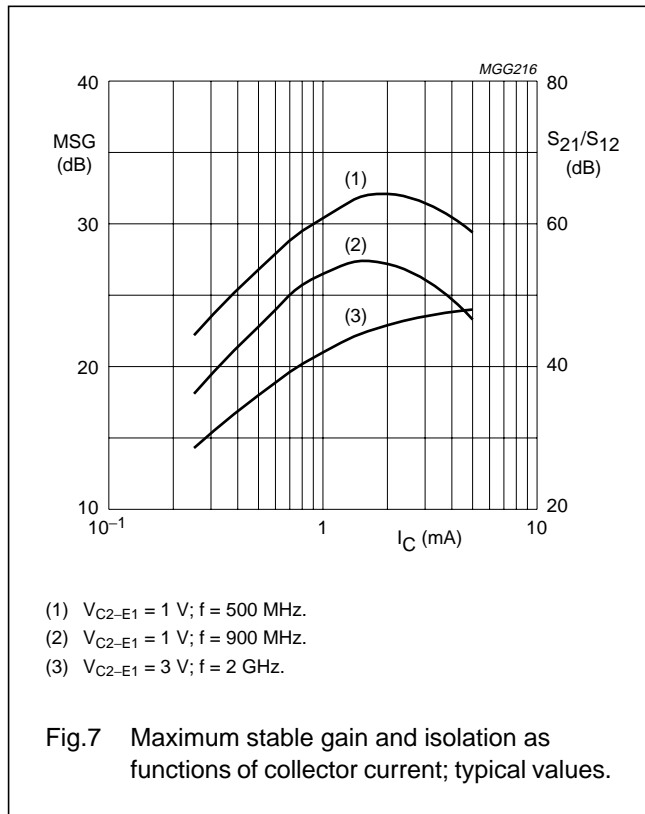
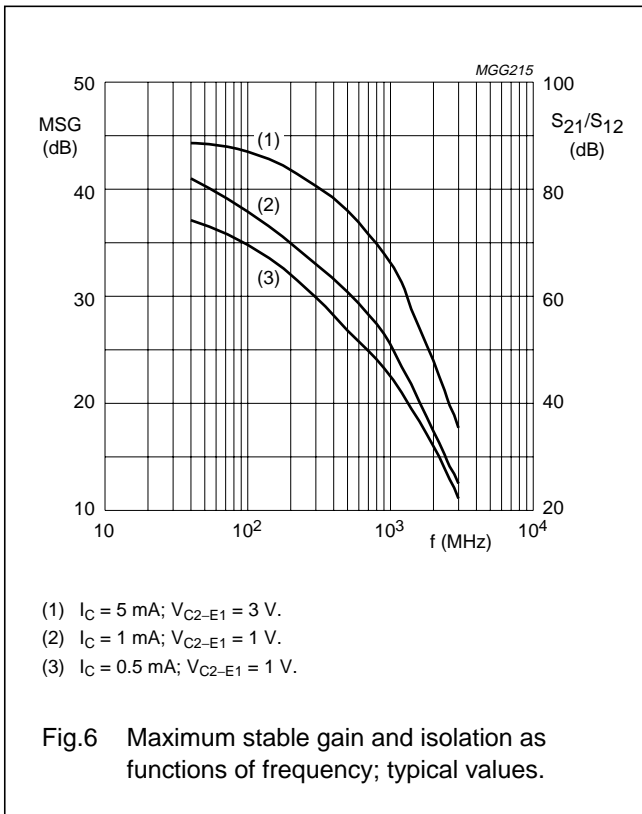
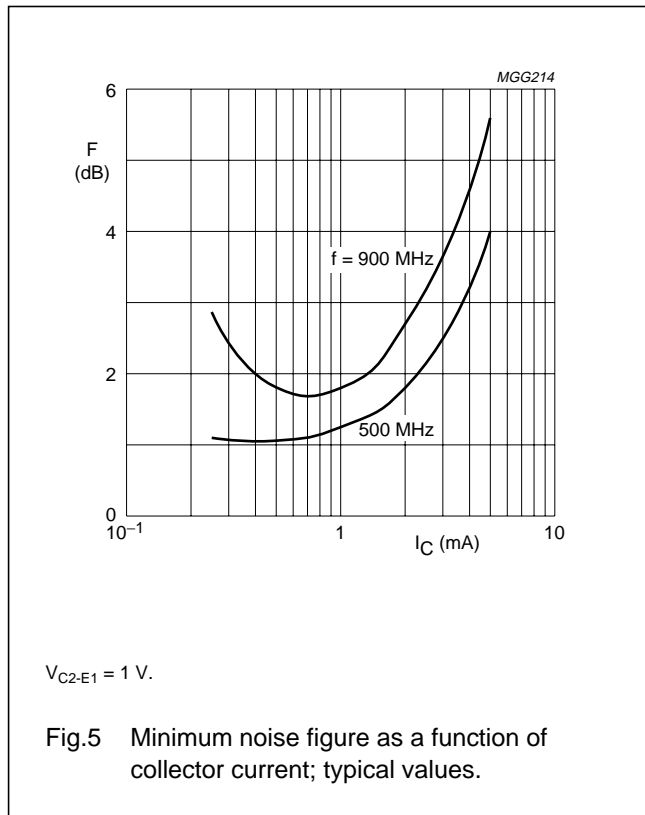
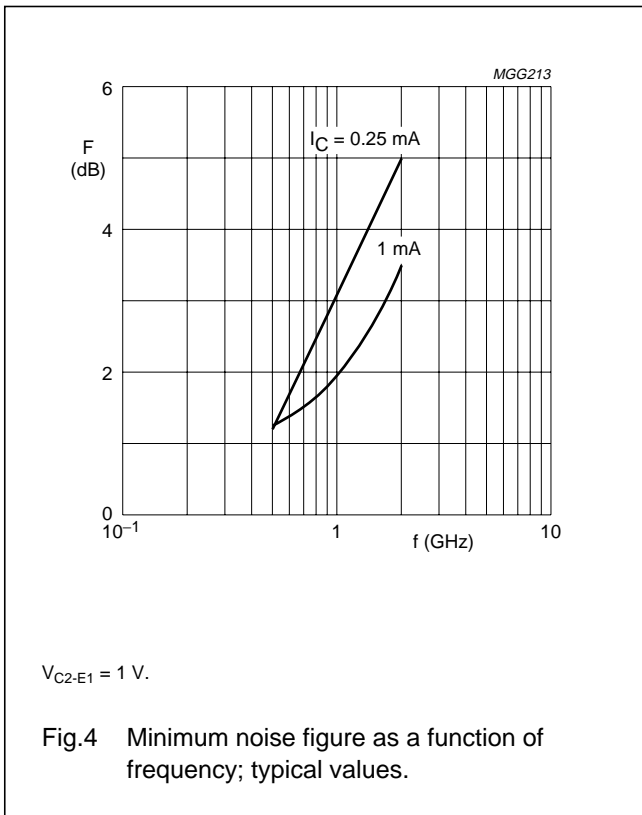
Notes

- $V_{B2} = V_{C2-E1}/2 + 0.6 \text{ V}$
- $MSG = |s_{12}/s_{21}| \times \left(k - \sqrt{k^2 - 1} \right)$; $k = \frac{1 + |s_{11} \times s_{22} - s_{12} \times s_{21}|^2 - (|s_{11}|^2 - |s_{22}|^2)}{2 \times |s_{12} \times s_{21}|}$
- Maximum isolation is defined as the isolation when S_{21} of the amplifier is reduced to unity (buffer application).
- $I_C = 1 \text{ mA}$; $V_{CE} = 3 \text{ V}$; $R_S = 50 \Omega$; $Z_L = \text{opt}$; $T_{\text{amb}} = 25 \text{ }^\circ\text{C}$; $f_p = 900 \text{ MHz}$; $f_q = 902 \text{ MHz}$; measured at $f_{(2p-q)} = 904 \text{ MHz}$.



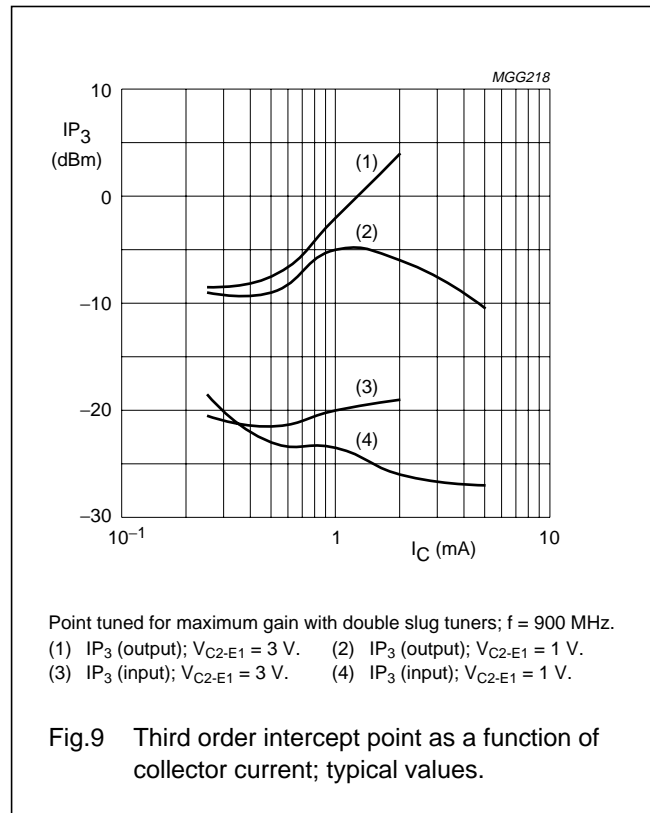
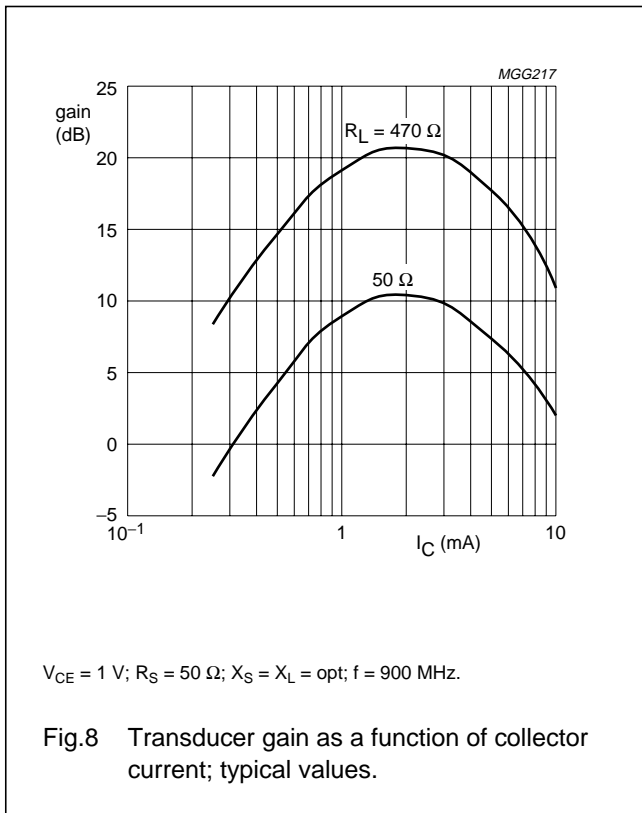
NPN wideband cascode transistor

BFC505



NPN wideband cascode transistor

BFC505



NPN wideband cascode transistor

BFC505

APPLICATION INFORMATION

SPICE parameters for any single BFC505 die

SEQUENCE No.	PARAMETER	VALUE	UNIT
1	IS	134.1	aA
2	BF	180.0	-
3	NF	0.988	-
4	VAF	38.34	V
5	IKF	150.0	mA
6	ISE	27.81	fA
7	NE	2.051	-
8	BR	55.19	-
9	NR	0.982	-
10	VAR	2.459	V
11	IKR	2.920	mA
12	ISC	17.45	aA
13	NC	1.062	-
14	RB	20.00	Ω
15	IRB	1.000	μ A
16	RBM	20.00	Ω
17	RE	1.171	Ω
18	RC	4.350	Ω
19 ⁽¹⁾	XTB	0.000	-
20 ⁽¹⁾	EG	1.110	eV
21 ⁽¹⁾	XTI	3.000	-
22	CJE	284.7	fF
23	VJE	600.0	mV
24	MJE	0.303	-
25	TF	7.037	ps
26	XTF	12.34	-
27	VTF	1.701	V
28	ITF	30.64	mA
29	PTF	0.000	deg
30	CJC	242.4	fF
31	VJC	188.6	mV
32	MJC	0.041	-
33	XCJC	0.130	-
34	TR	1.332	ns
35 ⁽¹⁾	CJS	0.000	F
36 ⁽¹⁾	VJS	750.0	mV
37 ⁽¹⁾	MJS	0.000	-
38	FC	0.897	-

Note

- 1. These parameters have not been extracted, the default values are shown.

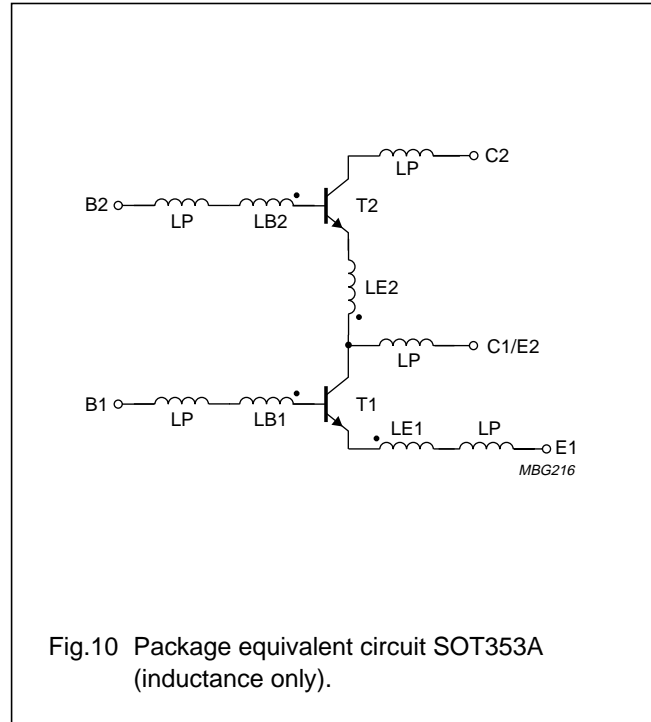


Fig.10 Package equivalent circuit SOT353A (inductance only).

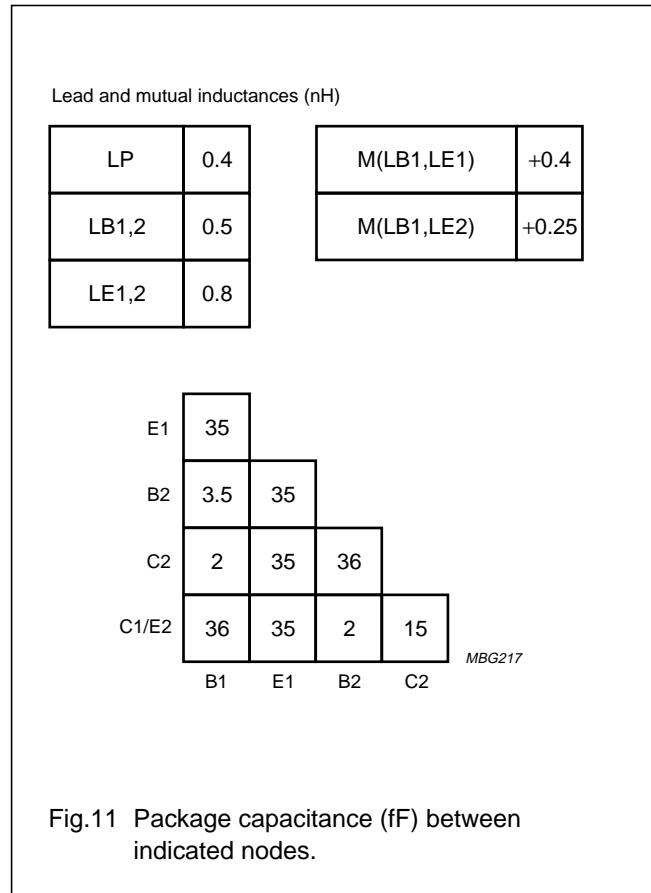
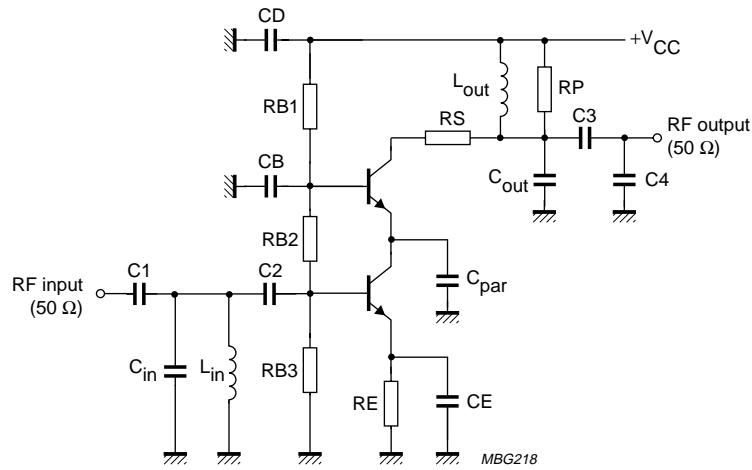


Fig.11 Package capacitance (fF) between indicated nodes.

NPN wideband cascode transistor

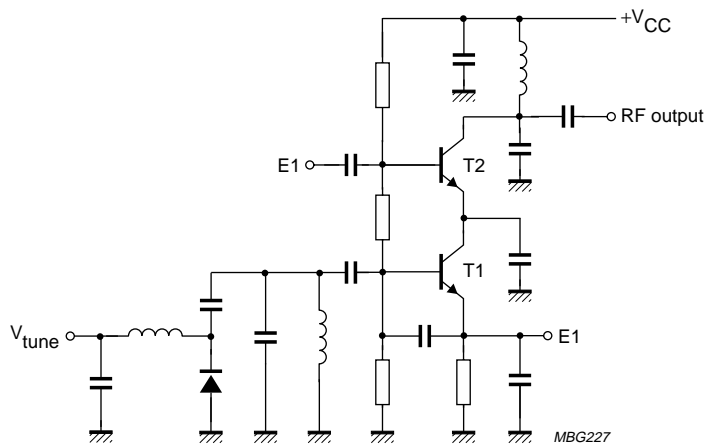
BFC505

Typical application circuits



RS increases stability.

Fig.12 Narrowband amplifier.



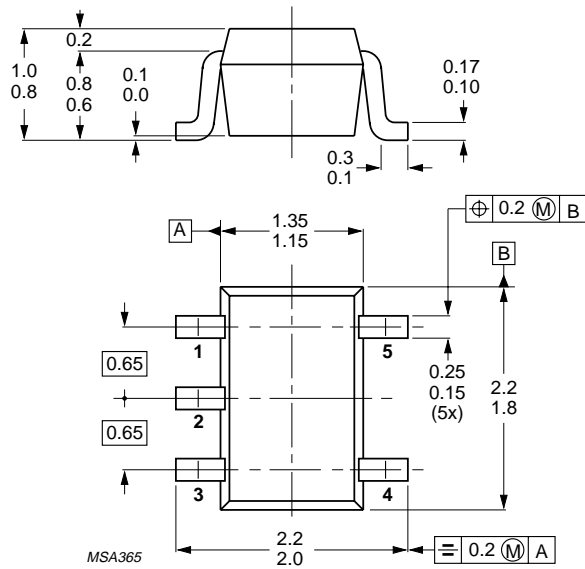
T1 forms a colpitts oscillator.
T2 acts as a buffer amplifier.

Fig.13 VCO/buffer combination.

NPN wideband cascode transistor

BFC505

PACKAGE OUTLINE



Dimensions in mm.

Fig.14 SOT353.

NPN wideband cascode transistor

BFC505

DEFINITIONS

Data sheet status	
Objective specification	This data sheet contains target or goal specifications for product development.
Preliminary specification	This data sheet contains preliminary data; supplementary data may be published later.
Product specification	This data sheet contains final product specifications.
Short-form specification	The data in this specification is extracted from a full data sheet with the same type number and title. For detailed information see the relevant data sheet or data handbook.
Limiting values	
Limiting values given are in accordance with the Absolute Maximum Rating System (IEC 134). Stress above one or more of the limiting values may cause permanent damage to the device. These are stress ratings only and operation of the device at these or at any other conditions above those given in the Characteristics sections of the specification is not implied. Exposure to limiting values for extended periods may affect device reliability.	
Application information	
Where application information is given, it is advisory and does not form part of the specification.	

LIFE SUPPORT APPLICATIONS

These products are not designed for use in life support appliances, devices, or systems where malfunction of these products can reasonably be expected to result in personal injury. Philips customers using or selling these products for use in such applications do so at their own risk and agree to fully indemnify Philips for any damages resulting from such improper use or sale.

SUNSTAR 商斯达实业集团是集研发、生产、工程、销售、代理经销、技术咨询、信息服务等为一体的高科技企业，是专业高科技电子产品生产厂家，是具有 10 多年历史的专业电子元器件供应商，是中国最早和最大的仓储式连锁规模经营大型综合电子零部件代理分销商之一，是一家专业代理和分销世界各大品牌 IC 芯片和电子元器件的连锁经营综合性国际公司，专业经营进口、国产名厂名牌电子元件，型号、种类齐全。在香港、北京、深圳、上海、西安、成都等全国主要电子市场设有直属分公司和产品展示展销窗口门市部专卖店及代理分销商，已在全国范围内建成强大统一的供货和代理分销网络。我们专业代理经销、开发生产电子元器件、集成电路、传感器、微波光电元器件、工控机/DOC/DOM 电子盘、专用电路、单片机开发、MCU/DSP/ARM/FPGA 软件硬件、二极管、三极管、模块等，是您可靠的一站式现货配套供应商、方案提供商、部件功能模块开发配套商。商斯达实业公司拥有庞大的资料库，有数位毕业于著名高校——有中国电子工业摇篮之称的西安电子科技大学（西军电）并长期从事国防尖端科技研究的高级工程师为您精挑细选、量身订做各种高科技电子元器件，并解决各种技术问题。

微波光电部专业代理经销高频、微波、光纤、光电元器件、组件、部件、模块、整机；电磁兼容元器件、材料、设备；微波 CAD、EDA 软件、开发测试仿真工具；微波、光纤仪器仪表。欢迎国外高科技微波、光纤厂商将优秀产品介绍到中国、共同开拓市场。长期大量现货专业批发高频、微波、卫星、光纤、电视、CATV 器件：晶振、VCO、连接器、PIN 开关、变容二极管、开关二极管、低噪晶体管、功率电阻及电容、放大器、功率管、MMIC、混频器、耦合器、功分器、振荡器、合成器、衰减器、滤波器、隔离器、环行器、移相器、调制解调器；光电子元件和组件：红外发射管、红外接收管、光电开关、光敏管、发光二极管和发光二极管组件、半导体激光二极管和激光器组件、光电探测器和光接收组件、光发射接收模块、光纤激光器和光放大器、光调制器、光开关、DWDM 用光发射和接收器件、用户接入系统光收发器件与模块、光纤连接器、光纤跳线/尾纤、光衰减器、光纤适配器、光隔离器、光耦合器、光环行器、光复用器/转换器；无线收发芯片和模组、蓝牙芯片和模组。

更多产品请看本公司产品专用销售网站：

商斯达中国传感器科技信息网：<http://www.sensor-ic.com/>

商斯达工控安防网：<http://www.pc-ps.net/>

商斯达电子元器件网：<http://www.sunstare.com/>

商斯达微波光电产品网：[HTTP://www.rfoe.net/](http://www.rfoe.net/)

商斯达消费电子产品网：<http://www.icasic.com/>

商斯达实业科技产品网：<http://www.sunstars.cn/> 微波元器件销售热线：

地址：深圳市福田区福华路福庆街鸿图大厦 1602 室

电话：0755-82884100 83397033 83396822 83398585

传真：0755-83376182 (0) 13823648918 MSN: SUNS8888@hotmail.com

邮编：518033 E-mail:szss20@163.com QQ: 195847376

深圳赛格展销部：深圳华强北路赛格电子市场 2583 号 电话：0755-83665529 25059422

技术支持：0755-83394033 13501568376

欢迎索取免费详细资料、设计指南和光盘；产品凡多，未能尽录，欢迎来电查询。

北京分公司：北京海淀区知春路 132 号中发电子大厦 3097 号

TEL: 010-81159046 82615020 13501189838 FAX: 010-62543996

上海分公司：上海市北京东路 668 号上海赛格电子市场 D125 号

TEL: 021-28311762 56703037 13701955389 FAX: 021-56703037

西安分公司：西安高新开发区 20 所(中国电子科技集团导航技术研究所)

西安劳动南路 88 号电子商城二楼 D23 号

TEL: 029-81022619 13072977981 FAX:029-88789382