

# DATA SHEET

## **PCK2010R**

CK98R (100/133MHz) RCC spread  
spectrum system clock generator

Product specification

1999 Oct 19

# CK98R (100/133MHz) RCC spread spectrum system clock generator

## PCK2010R

### FEATURES

- Mixed 2.5 V and 3.3 V operation
- Four CPU clocks at 2.5 V
- Eight PCI clocks at 3.3 V, one free-running (synchronous with CPU clocks)
- Four 3.3 V fixed clocks @ 66 MHz
- Two 2.5 V CPUDIV2 clocks @ ½ CPU clock frequency
- Three 2.5 V IOAPIC clocks @ 16.67 MHz
- One 3.3 V 48 MHz USB clock
- Two 3.3 V reference clocks @ 14.318 MHz
- Reference 14.31818 MHz Xtal oscillator input
- 133 MHz or 100 MHz operation
- Power management control input pins
- CPU clock jitter  $\leq 250$  ps cycle-cycle
- CPU clock skew  $\leq 175$  ps pin-pin
- 0.0ns – 1.5 ns CPU - 3V66 delay
- 1.5ns – 3.5 ns 3V66 - PCI delay
- 1.5ns – 4.0 ns CPU - IOAPIC delay
- 1.5ns – 4.0 ns CPU - PCI delay
- Available in 56-pin SSOP package
- $\pm 0.5\%$  center spread spectrum capability via select pins
- $-0.5\%$  down spread spectrum capability via select pins

### DESCRIPTION

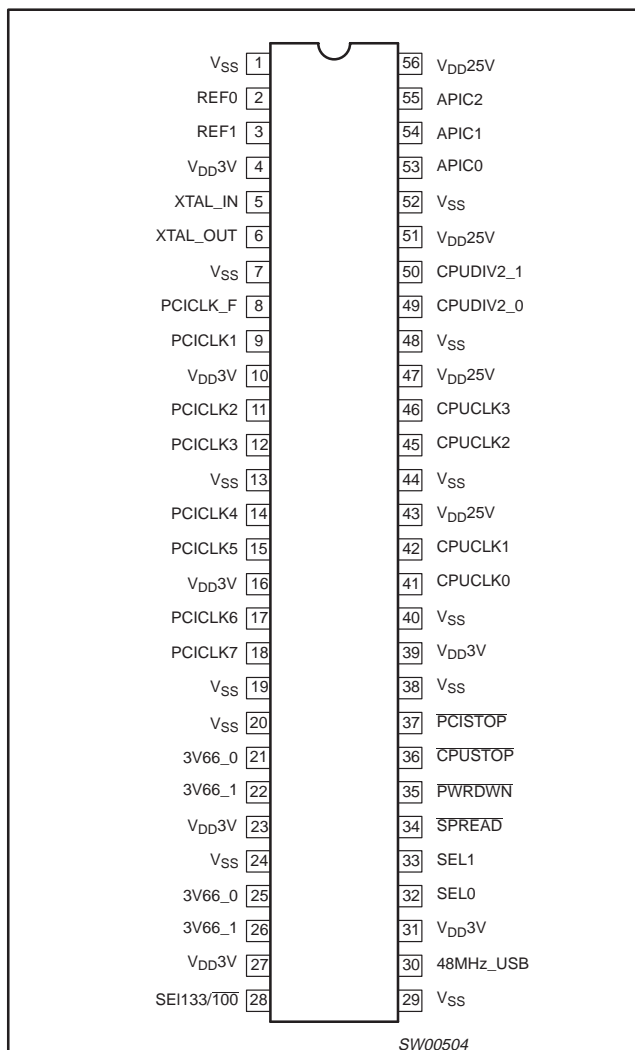
The PCK2010R is a clock generator (frequency synthesizer) chip for a Pentium II and other similar processors.

The PCK2010R has four CPU clock outputs at 2.5 V, two CPUDIV2 clock outputs running at ½ CPU clock frequency (66 MHz or 50 MHz depending on the state of SEL133/100) and four 3V66 clocks running at 66MHz. There are eight PCI clock outputs running at 33 MHz. One of the PCI clock outputs is free-running. Additionally, the part has three 2.5 V IOAPIC clock outputs at 16.67 MHz and two 3.3 V reference clock outputs at 14.318 MHz. All clock outputs meet Intel's drive strength, rise/fall time, jitter, accuracy, and skew requirements.

The part possesses dedicated power-down,  $\overline{\text{CPUSTOP}}$ , and  $\overline{\text{PCISTOP}}$  input pins for power management control. These inputs are synchronized on-chip and ensure glitch-free output transitions. When the  $\overline{\text{CPUSTOP}}$  input is asserted, the CPU clock outputs and 3V66 clock outputs are driven LOW. When the  $\overline{\text{PCISTOP}}$  input is asserted, the PCI clock outputs are driven LOW.

Finally, when the PWRDWN input pin is asserted, the internal reference oscillator and PLLs are shut down, and all outputs are driven LOW.

### PIN CONFIGURATION



### ORDERING INFORMATION

PACKAGES	TEMPERATURE RANGE	ORDER CODE	DRAWING NUMBER
56-Pin plastic SSOP	0°C to +70°C	PCK2010R DL	SOT371-1

Intel and Pentium are registered trademarks of Intel Corporation.

# CK98R (100/133MHz) RCC spread spectrum system clock generator

PCK2010R

## PIN DESCRIPTION

PIN NUMBER	SYMBOL	FUNCTION
2,3	REF [0–1]	3.3 V 14.318 MHz clock output
5	XTAL_IN	14.318 MHz crystal input
6	XTAL_OUT	14.318 MHz crystal output
8	PCICLK_F	3.3 V free running PCI clock
9, 11, 12, 14, 15, 17, 18	PCICLK [1–7]	3.3 V PCI clock outputs
21, 22, 25, 26	3V66 [0–3]	3.3 V fixed 66 MHz clock outputs
28	SEL133/100	Select input pin for enabling 133 MHz or 100 MHz CPU outputs. H = 133 MHz, L = 100 MHz
30	48 MHz USB	3.3 V fixed 48 MHz clock output
32, 33	SEL [0–1]	Logic select pins. TTL levels.
34	SPREAD	3.3 V LVTTTL input. Enables spread spectrum mode when held LOW.
35	PWRDWN	3.3 V LVTTTL input. Device enters powerdown mode when held LOW.
36	CPUSTOP	3.3 V LVTTTL input. Stops all CPU clocks and 3V66 clocks when held LOW. CPUDIV_2 output remains on all the time.
37	PCISTOP	3.3 V LVTTTL input. Stops all PCI clocks except PCICLK_F when held LOW.
41, 42, 45, 46	CPUCLK [0–3]	2.5 V CPU output. 133 MHz or 100MHz depending on state of input pin SEL133/100.
49, 50	CPUDIV_2 [0–1]	2.5 V output running at 1/2 CPU clock frequency. 66 MHz or 50 MHz depending on state of input pin SEL133/100.
53, 54, 55	IOAPIC [0–2]	2.5 V clock outputs running divide synchronous with the CPU clock frequency. Fixed 16.67 MHz limit.
4, 10, 16, 23, 27, 31, 39	V <sub>DD3V</sub>	3.3 V power supply.
1, 7, 13, 19, 20, 24, 29, 38, 40, 44, 48, 52	V <sub>SS</sub>	Ground
43, 47, 51, 56	V <sub>DD25V</sub>	2.5 V power supply

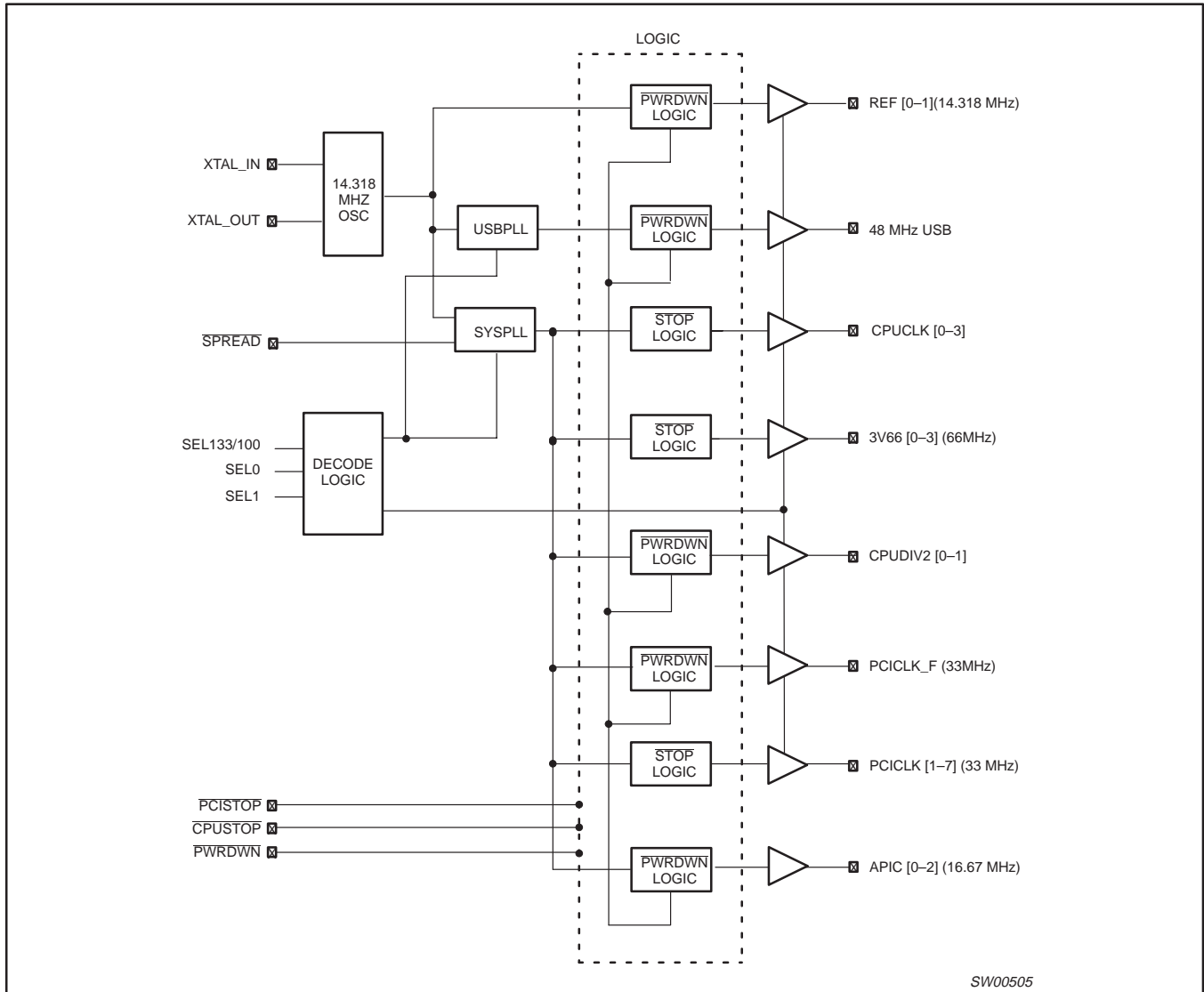
### NOTE:

- V<sub>DD3V</sub>, V<sub>DD25V</sub> and V<sub>SS</sub> in the above tables reflects a likely internal POWER and GROUND partition to reduce the effects of internal noise on the performance of the device. In reality, the platform will be configured with the V<sub>DD25V</sub> pins tied to a 2.5 V supply, all remaining V<sub>DD</sub> pins tied to a common 3.3 V supply and all V<sub>SS</sub> pins being common.

# CK98R (100/133MHz) RCC spread spectrum system clock generator

PCK2010R

## BLOCK DIAGRAM



SW00505

# CK98R (100/133MHz) RCC spread spectrum system clock generator

PCK2010R

## FUNCTION TABLE

SEL 133/100	SEL1	SEL0	CPU	CPUDIV2	3V66	PCI	48 MHz	REF	IOAPIC	NOTES
0	0	0	HI-Z	HI-Z	HI-Z	HI-Z	HI-Z	HI-Z	HI-Z	1
0	0	1	N/A	N/A	N/A	N/A	N/A	N/A	N/A	2
0	1	0	100 MHz	50 MHz	66 MHz	33 MHz	HI-Z	14.318 MHz	16.67 MHz	3
0	1	1	100 MHz	50 MHz	66 MHz	33 MHz	48 MHz	14.318 MHz	16.67 MHz	4, 7, 8
1	0	0	TCLK/2	TCLK/4	TCLK/4	TCLK/8	TCLK/2	TCLK	TCLK/16	5, 6
1	0	1	N/A	N/A	N/A	N/A	N/A	N/A	N/A	2
1	1	0	133 MHz	66 MHz	66 MHz	33 MHz	HI-Z	14.318 MHz	16.67 MHz	3
1	1	1	133 MHz	66 MHz	66 MHz	33 MHz	48 MHz	14.318 MHz	16.67 MHz	4, 7, 8

### NOTES:

1. Required for board level "bed-of-nails" testing.
2. Used to support Intel confidential application.
3. 48 MHz PLL disabled to reduce component jitter. 48 MHz outputs to be held HI-Z instead of driven to LOW state.
4. "Normal" mode of operation.
5. TCLK is a test clock over driven on the XTALIN input during test mode. TCLK mode is based on 133 MHz CPU select logic.
6. Required for DC output impedance verification.
7. Frequency accuracy of 48 MHz must be +167 PPM to match USB default.
8. Range of reference frequency allowed is MIN = 14.316 MHz, NOMINAL = 14.31818 MHz, MAX = 14.32 MHz

CLOCK OUTPUT	TARGET FREQUENCY (MHz)	ACTUAL FREQUENCY (MHz)	PPM
USBCLK <sup>7</sup>	48.0	48.008	167

## CLOCK ENABLE CONFIGURATION

CPUSTOP	PWRDWN	PCISTOP	CPUCLK	CPUDIV2	APIC	3V66	PCI	PCI_F	REF / 48 MHz	OSC	VCOs
X	0	X	LOW	LOW	LOW	LOW	LOW	LOW	LOW	OFF	OFF
0	1	0	LOW	ON	ON	LOW	LOW	ON	ON	ON	ON
0	1	1	LOW	ON	ON	LOW	ON	ON	ON	ON	ON
1	1	0	ON	ON	ON	ON	LOW	ON	ON	ON	ON
1	1	1	ON	ON	ON	ON	ON	ON	ON	ON	ON

### NOTES:

1. LOW means outputs held static LOW as per latency requirement below
2. ON means active.
3. PWRDWN pulled LOW, impacts all outputs including REF and 48 MHz outputs.
4. All 3V66 clocks as well as CPU clocks should stop cleanly when CPUSTOP is pulled LOW.
5. CPUDIV2, IOAPIC, REF, 48 MHz signals are not controlled by the CPUSTOP functionality and are enabled all in all conditions except when PWRDWN is LOW.

## POWER MANAGEMENT REQUIREMENTS

SIGNAL	SIGNAL STATE	LATENCY
		NO. OF RISING EDGES OF FREE RUNNING PCICLK
CPUSTOP	0 (DISABLED)	1
	1 (ENABLED)	1
PCISTOP	0 (DISABLED)	1
	1 (ENABLED)	1
PWRDWN	1 (NORMAL OPERATION)	3 ms
	0 (POWER DOWN)	2 MAX

### NOTES:

1. Clock ON/OFF latency is defined as the number of rising edges of free running PCICLKs between the clock disable goes HIGH/LOW to the first valid clock that comes out of the device.
2. Power up latency is when PWRDWN goes inactive (HIGH) to when the first valid clocks are driven from the device.

# CK98R (100/133MHz) RCC spread spectrum system clock generator

PCK2010R

## ABSOLUTE MAXIMUM RATINGS<sup>1, 2</sup>

In accordance with the Absolute Maximum Rating System (IEC 134)

Voltages are referenced to  $V_{SS}$  ( $V_{SS} = 0$  V)

SYMBOL	PARAMETER	CONDITION	LIMITS		UNIT
			MIN	MAX	
$V_{DD3}$	DC 3.3 V core supply voltage		-0.5	+4.6	V
$V_{DDQ3}$	DC 3.3 V I/O supply voltage		-0.5	+4.6	V
$V_{DDQ2}$	DC 2.5 V I/O supply voltage		-0.5	+3.6	V
$I_{IK}$	DC input diode current	$V_I < 0$		-50	mA
$V_I$	DC input voltage	Note 2	-0.5	5.5	V
$I_{OK}$	DC output diode current	$V_O > V_{CC}$ or $V_O < 0$		±50	mA
$V_O$	DC output voltage	Note 2	-0.5	$V_{CC} + 0.5$	V
$I_O$	DC output source or sink current	$V_O = 0$ to $V_{CC}$		±50	mA
$T_{STG}$	Storage temperature range		-65	+150	°C
$P_{TOT}$	Power dissipation per package plastic medium-shrink (SSOP)	For temperature range: -40 to +125°C above +55°C derate linearly with 11.3mW/K		850	mW

### NOTES:

- Stresses beyond those listed may cause permanent damage to the device. These are stress ratings only and functional operation of the device at these or any other conditions beyond those indicated under "recommended operating conditions" is not implied. Exposure to absolute-maximum-rated conditions for extended periods may affect device reliability.
- The input and output voltage ratings may be exceeded if the input and output current ratings are observed.

## RECOMMENDED OPERATING CONDITIONS

SYMBOL	PARAMETER	CONDITIONS	LIMITS		UNIT
			MIN	MAX	
$V_{DD3V}$	DC 3.3 V core supply voltage		3.135	3.465	V
$V_{DD25V}$	DC 2.5 V I/O supply voltage		2.375	2.625	V
$C_L$	Capacitive load on:				
	CPUCLK	1 device load, possible 2 loads	10	20	pF
	PCICLK	Must meet PCI 2.1 requirements	10	30	pF
	CPUDIV2	1 device load, possible 2 loads	10	20	pF
	3V66	1 device load, possible 2 loads	10	30	pF
	48 MHz clock USB	1 device load	10	20	pF
	REF	1 device load	10	20	pF
IOAPIC	1 device load	10	20	pF	
$V_I$	DC input voltage range		0	$V_{DD3V}$	V
$V_O$	DC output voltage range		0	$V_{DD25V}$ $V_{DD3V}$	V
$f_{REF}$	Reference frequency, oscillator nominal value		14.31818	14.31818	MHz
$T_{amb}$	Operating ambient temperature range in free air		0	+70	°C

## POWER MANAGEMENT

CK133 CONDITION	MAXIMUM 2.5V SUPPLY CONSUMPTION MAXIMUM DISCRETE CAP LOADS, $V_{DD25V} = 2.625$ V ALL STATIC INPUTS = $V_{DD3V}$ OR $V_{SS}$	MAXIMUM 3.3V SUPPLY CONSUMPTION MAXIMUM DISCRETE CAP LOADS, $V_{DD25V} = 3.465$ V ALL STATIC INPUTS = $V_{DD3V}$ OR $V_{SS}$
Power-down mode (PWRDWN = 0)	100 $\mu$ A	200 $\mu$ A
Full active 100 MHz SEL133/100# = 0 SEL1, 0 = 1 1 CPUSTOP, PCISTOP = 1	80 mA	160 mA
Full active 133 MHz SEL133/100# = 1 SEL1, 0 = 1 1 CPUSTOP, PCISTOP = 1	90 mA	160 mA

# CK98R (100/133MHz) RCC spread spectrum system clock generator

PCK2010R

## DC CHARACTERISTICS

SYMBOL	PARAMETER	TEST CONDITIONS			LIMITS			UNIT
		$T_{amb} = 0^{\circ}\text{C to } +70^{\circ}\text{C}$			MIN	TYP	MAX	
		$V_{DD}$ (V)	OTHER					
$V_{IH}$	HIGH level input voltage	3.135 to 3.465		$V_{DD25V} = 2.5\text{ V} \pm 5\%$	2.0		$V_{DD} + 0.3$	V
$V_{IL}$	LOW level input voltage	3.135 to 3.465		$V_{DD3V} = 3.3\text{ V} \pm 5\%$	$V_{SS} - 0.3$		0.8	V
$V_{OH2}$	2.5 V output HIGH voltage CPUCLK, IOAPIC, CPUDIV2	2.375 to 2.625	$I_{OH} = -1\text{ mA}$		2.0		–	V
$V_{OL2}$	2.5 V output LOW voltage CPUCLK, IOAPIC, CPUDIV2	2.375 to 2.625	$I_{OL} = 1\text{ mA}$		–		0.4	V
$V_{OH3}$	3.3 V output HIGH voltage REF, 48 MHz USB	3.135 to 3.465	$I_{OH} = -1\text{ mA}$		2.0		–	V
$V_{OL3}$	3.3 V output LOW voltage REF, 48 MHz USB	3.135 to 3.465	$I_{OL} = 1\text{ mA}$		–		0.4	V
$V_{OH3}$	3.3 V output HIGH voltage PCI, 3V66	3.135 to 3.465	$I_{OH} = -1\text{ mA}$		2.4		–	V
$V_{OL3}$	3.3 V output LOW voltage PCI, 3V66	3.135 to 3.465	$I_{OL} = 1\text{ mA}$		–		0.55	V
$I_{OH}$	CPUCLK output HIGH current	2.375	$V_{OUT} = 1.0\text{ V}$		–27		–	mA
		2.625	$V_{OUT} = 2.375\text{ V}$		–		–27	
$I_{OH}$	48 MHz USB, REF output HIGH current	3.135	$V_{OUT} = 1.0\text{ V}$		–29		–	mA
		3.465	$V_{OUT} = 3.135\text{ V}$		–		–23	
$I_{OH}$	PCI, 3V66 output HIGH current	3.135	$V_{OUT} = 1.0\text{ V}$		–33		–	mA
		3.465	$V_{OUT} = 3.135\text{ V}$		–		–33	
$I_{OL}$	CPUCLK output LOW current	2.375	$V_{OUT} = 1.2\text{ V}$		27		–	mA
		2.625	$V_{OUT} = 0.3\text{ V}$		–		30	
$I_{OL}$	48 MHz USB, REF output LOW current	3.135	$V_{OUT} = 1.95\text{ V}$		29		–	mA
		3.465	$V_{OUT} = 0.4\text{ V}$		–		27	
$I_{OL}$	PCI, 3V66 output LOW current	3.135	$V_{OUT} = 1.95\text{ V}$		30		–	mA
		3.465	$V_{OUT} = 0.4\text{ V}$		–		38	
$\pm I_I$	Input leakage current	3.465			–		5	$\mu\text{A}$
$\pm I_{OZ}$	3-State output OFF-State current	3.465	$V_{OUT} = V_{DD}$ or GND	$I_O = 0$	–		10	$\mu\text{A}$
$C_{in}$	Input pin capacitance						5	pF
$C_{xtal}$	Xtal pin capacitance, as seen by external crystal					18		pF
$C_{out}$	Output pin capacitance						6	pF

# CK98R (100/133MHz) RCC spread spectrum system clock generator

PCK2010R

## AC CHARACTERISTICS

 $V_{DD3V} = 3.3\text{ V} \pm 5\%$ ;  $V_{DDAPIC} = V_{DD25V} = 2.5\text{ V} \pm 5\%$ ;  $f_{\text{crystal}} = 14.31818\text{ MHz}$ 

### CPU CLOCK OUTPUTS, CPU(0–3) (LUMP CAPACITANCE TEST LOAD = 20 pF)

SYMBOL	PARAMETER	LIMITS $T_{\text{amb}} = 0^{\circ}\text{C to } +70^{\circ}\text{C}$		LIMITS $T_{\text{amb}} = 0^{\circ}\text{C to } +70^{\circ}\text{C}$		UNIT	NOTES
		133 MHz MODE		100 MHz MODE			
		MIN	MAX	MIN	MAX		
$T_{\text{HKP}}$	CPUCLK period	7.5	8.0	10.0	10.5	ns	2, 9
$T_{\text{HKH}}$	CPUCLK HIGH time	1.87	n/a	3.0	n/a	ns	5, 10
$T_{\text{HKL}}$	CPUCLK LOW time	1.67	n/a	2.8	n/a	ns	6, 10
$T_{\text{HRISE}}$	CPUCLK rise time	0.4	1.6	0.4	1.6	ns	8
$T_{\text{H FALL}}$	CPUCLK fall time	0.4	1.6	0.4	1.6	ns	8
$T_{\text{JITTER}}$	CPUCLK cycle-cycle jitter		250		250	ps	
DUTY CYCLE	Output Duty Cycle	45	55	45	55	%	1
$T_{\text{HSKW}}$	CPUCLK pin-pin skew		175		175	ps	2

### CPUDIV2 CLOCK OUTPUTS, CPUDIV2 (0–1) (LUMP CAPACITANCE TEST LOAD = 20 pF)

SYMBOL	PARAMETER	LIMITS $T_{\text{amb}} = 0^{\circ}\text{C to } +70^{\circ}\text{C}$		LIMITS $T_{\text{amb}} = 0^{\circ}\text{C to } +70^{\circ}\text{C}$		UNIT	NOTES
		133 MHz MODE		100 MHz MODE			
		MIN	MAX	MIN	MAX		
$T_{\text{HKP}}$	CPUDIV2 CLK period	15.0	16.0	20.0	21.0	ns	2, 9
$T_{\text{HKH}}$	CPUDIV2 CLK HIGH time	5.25	n/a	7.5	n/a	ns	5, 10
$T_{\text{HKL}}$	CPUDIV2 CLK LOW time	5.05	n/a	7.3	n/a	ns	6, 10
$T_{\text{HRISE}}$	CPUDIV2 CLK rise time	0.4	1.6	0.4	1.6	ns	8
$T_{\text{H FALL}}$	CPUDIV2 CLK fall time	0.4	1.6	0.4	1.6	ns	8
$T_{\text{JITTER}}$	CPUDIV2 CLK cycle-cycle jitter		250		250	ps	
DUTY CYCLE	CPUDIV2 CLK Duty Cycle	45	55	45	55	%	1
$T_{\text{HSKW}}$	CPUDIV2 CLK pin-pin skew		175		175	ps	2

### PCI CLOCK OUTPUTS, PCI(0–7) (LUMP CAPACITANCE TEST LOAD = 30 pF)

SYMBOL	PARAMETER	LIMITS $T_{\text{amb}} = 0^{\circ}\text{C to } +70^{\circ}\text{C}$		LIMITS $T_{\text{amb}} = 0^{\circ}\text{C to } +70^{\circ}\text{C}$		UNIT	NOTES
		133 MHz MODE		100 MHz MODE			
		MIN	MAX	MIN	MAX		
$T_{\text{HKP}}$	PCICLK period	30.0	n/a	30.0	n/a	ns	2, 9
$T_{\text{HKH}}$	PCICLK HIGH time	12.0	n/a	12.0	n/a	ns	5, 10
$T_{\text{HKL}}$	PCICLK LOW time	12.0	n/a	12.0	n/a	ns	6, 10
$T_{\text{HRISE}}$	PCICLK rise time	0.5	2.0	0.5	2.0	ns	8
$T_{\text{H FALL}}$	PCICLK fall time	0.5	2.0	0.5	2.0	ns	8
$T_{\text{JITTER}}$	PCICLK cycle-cycle jitter		500		500	ps	
DUTY CYCLE	PCICLK Duty Cycle	45	55	45	55	%	1
$T_{\text{HSKW}}$	PCICLK pin-pin skew		500		500	ps	2



# CK98R (100/133MHz) RCC spread spectrum system clock generator

PCK2010R

## APIC(0-1) CLOCK OUTPUT (LUMP CAPACITANCE TEST LOAD = 20 pF)

SYMBOL	PARAMETER	LIMITS $T_{amb} = 0^{\circ}\text{C to } +70^{\circ}\text{C}$		LIMITS $T_{amb} = 0^{\circ}\text{C to } +70^{\circ}\text{C}$		UNIT	NOTES
		133 MHz MODE		100 MHz MODE			
		MIN	MAX	MIN	MAX		
$T_{HKP}$	IOAPIC CLK period	60.0	64.0	60.0	64.0	ns	2, 9
$T_{HKH}$	IOAPIC CLK HIGH time	25.5	n/a	25.5	n/a	ns	5, 10
$T_{HKL}$	IOAPIC CLK LOW time	25.3	n/a	25.3	n/a	ns	6, 10
$T_{HRISE}$	IOAPIC CLK rise time	0.4	1.6	0.4	1.6	ns	8
$T_{HFAIL}$	IOAPIC CLK fall time	0.4	1.6	0.4	1.6	ns	8
$T_{JITTER}$	IOAPIC CLK cycle-cycle jitter		500		500	ps	
DUTY CYCLE	IOAPIC CLK Duty Cycle	45	55	45	55	%	1
$T_{HSKW}$	IOAPIC CLK pin-pin skew		250		250	ps	2

## 3V66 CLOCK OUTPUT, 3V66 (0-3) (LUMP CAPACITANCE TEST LOAD = 30 pF)

SYMBOL	PARAMETER	LIMITS $T_{amb} = 0^{\circ}\text{C to } +70^{\circ}\text{C}$		LIMITS $T_{amb} = 0^{\circ}\text{C to } +70^{\circ}\text{C}$		UNIT	NOTES
		133 MHz MODE		100 MHz MODE			
		MIN	MAX	MIN	MAX		
$T_{HKP}$	3V66 CLK period	15.0	16.0	15.0	16.0	ns	2, 9, 4
$T_{HKH}$	3V66 CLK HIGH time	5.25	n/a	5.25	n/a	ns	5, 10
$T_{HKL}$	3V66 CLK LOW time	5.05	n/a	5.05	n/a	ns	6, 10
$T_{HRISE}$	3V66 CLK rise time	0.4	1.6	0.4	1.6	ns	8
$T_{HFAIL}$	3V66 CLK fall time	0.4	1.6	0.4	1.6	ns	8
$T_{JITTER}$	3V66 CLK cycle-cycle jitter		500		500	ps	
DUTY CYCLE	3V66 CLK Duty Cycle	45	55	45	55	%	1
$T_{HSKW}$	3V66 CLK pin-pin skew		250		250	ps	2

## 48MHZ(0-1) CLOCK OUTPUT (LUMP CAPACITANCE TEST LOAD = 20 pF)

SYMBOL	PARAMETER	TEST CONDITIONS		LIMITS $T_{amb} = 0^{\circ}\text{C to } +70^{\circ}\text{C}$		UNIT
			NOTES	MIN	MAX	
f	Frequency, Actual	Determined by PLL divider ratio		48.008		MHz
$f_D$	Deviation from 48 MHz	(48.008 - 48)/48		+167		ppm
$T_{HRISE} (t_R)$	Output rise edge rate			1	4	ns
$T_{HFAIL} (t_F)$	Output fall edge rate			1	4	ns
DUTY CYCLE ( $t_D$ )	Duty Cycle			45	55	%
$T_{JITTER}$	CLK cycle-cycle jitter	133 MHz		100 MHz		ps
		MIN	MAX	MIN	MAX	
			500		500	
$T_{HSTB} (f_{ST})$	Frequency stabilization from Power-up (cold start)				3	ms

### NOTE:

- See Figure 5 for measure points.

# CK98R (100/133MHz) RCC spread spectrum system clock generator

PCK2010R

## AC CHARACTERISTICS (Continued)

SYMBOL	PARAMETER	TEST CONDITIONS		LIMITS $T_{amb} = 0^{\circ}\text{C to } +70^{\circ}\text{C}$			UNIT	NOTES
		Measurement loads (lumped)	Measure points	MIN	TYP	MAX		
$T_{HPOFFSET}$	CPUCLK to 3V66 CLK, CPU leads	CPU@20 pF, 3V66@30 pF	CPU@1.25 V, 3V66@1.5 V	0.0	0.45	1.5	ns	1
$T_{HPOFFSET}$	3V66 CLK to PCICLK, 3V66 leads	3V66@30 pF, PCI@30 pF	3V66@1.5 V, PCI@1.5 V	1.5	2.0	3.5	ns	1
$T_{HPOFFSET}$	CPUCLK to IOAPIC, CPU leads	CPU@20 pF, IOAPIC@20 pF	3CPU@1.25 V, IOAPIC@1.25 V	1.5	2.4	4.0	ns	1
$T_{HPOFFSET}$	CPUCLK to PCICLK , CPU leads	CPU@20 pF PCI@30 pF	CPU@1.25 V PCI@1.5 V	1.5	3.8	4.0	ns	
$T_{HPOFFSET}$	CPUDIV2 to CPUCLK, CPUDIV2 leads	CPUDIV2@20 pF CPU@20 pF	CPUDIV2@ CPU@1.25 V	0.0	1.6	2.5	ns	

### NOTES:

- Output drivers must have monotonic rise/fall times through the specified  $V_{OL}/V_{OH}$  levels.
- Period, jitter, offset and skew measured on rising edge @1.25 V for 2.5 V clocks and @ 1.5 V for 3.3 V clocks.
- The PCICLK is the CPUCLK divided by four at CPUCLK = 133 MHz. The 3V66 CLK is internal VCO frequency divided by three at CPUCLK = 100 MHz.
- 3V66 CLK is internal VCO frequency divided by two at CPUCLK = 133 MHz. The 3V66 CLK is internal VCO frequency divided by three at CPUCLK = 100 MHz.
- $T_{HKH}$  is measured at 2.0 V for 2.5 V outputs, 2.4 V for 3.3 V outputs as shown in Figure 4.
- $T_{HKL}$  is measured at 0.4 V for all outputs as shown in Figure 4.
- The time is specified from when  $V_{DDQ}$  achieves its nominal operating level (typical condition  $V_{DDQ} = 3.3$  V) until the frequency output is stable and operating within specification.
- $T_{HRISE}$  and  $T_{HFALL}$  are measured as a transition through the threshold region  $V_{OL} = 0.4$  V and  $V_{OH} = 2.4$  V (1 mA) JEDEC specification.
- The average period over any 1  $\mu\text{s}$  period of time must be greater than the minimum specified period.
- Calculated at minimum edge-rate (1V/ns) to guarantee 45/55% duty-cycle. Pulse width is required to be wider at faster edge-rate to ensure duty-cycle specification is met.
- Output (see Figure 5 for measure points).

# CK98R (100/133MHz) RCC spread spectrum system clock generator

PCK2010R

## SPREAD SPECTRUM FUNCTION TABLE

SPREAD#	SEL133/100#	SEL1	SEL0	Function	48 MHz PLL
pin 34	pin 28	pin 33	pin 32		
0 (active)	0 (100 MHz)	0	0	3-State to High Impedance	Inactive
0 (active)	0 (100 MHz)	0	1	100 MHz, Center Spread $\pm 0.5\%$	Active
0 (active)	0 (100 MHz)	1	0	100 MHz, Down Spread – 0.5%	Inactive
0 (active)	0 (100 MHz)	1	1	100 MHz, Down Spread – 0.5%	Active
0 (active)	1 (133 MHz)	0	0	Test Mode	Active
0 (active)	1 (133 MHz)	0	1	133 MHz, Center Spread $\pm 0.5\%$	Active
0 (active)	1 (133 MHz)	1	0	133 MHz, Down Spread – 0.5%	Inactive
0 (active)	1 (133 MHz)	1	1	133 MHz, Down Spread – 0.5%	Active
1 (inactive)	0 (100 MHz)	0	0	3-State to High Impedance	Inactive
1 (inactive)	0 (100 MHz)	0	1	100 MHz, No Center Spread $\pm 0.5\%$	Active
1 (inactive)	0 (100 MHz)	1	0	100 MHz, No Down Spread – 0.5%	Inactive
1 (inactive)	0 (100 MHz)	1	1	100 MHz, No Down Spread – 0.5%	Active
1 (inactive)	1 (133 MHz)	0	0	Test Mode	Active
1 (inactive)	1 (133 MHz)	0	1	133 MHz, No Center Spread $\pm 0.5\%$	Active
1 (inactive)	1 (133 MHz)	1	0	133 MHz, No Down Spread – 0.5%	Inactive
1 (inactive)	1 (133 MHz)	1	1	133 MHz, No Down Spread – 0.5%	Active

---

**CK98R (100/133MHz) RCC spread spectrum  
system clock generator**

---

**PCK2010R****AC WAVEFORMS** $V_M = 1.25 \text{ V @ } V_{DDQ2} \text{ and } 1.5 \text{ V @ } V_{DDQ3}$  $V_X = V_{OL} + 0.3 \text{ V}$  $V_Y = V_{OH} - 0.3 \text{ V}$ 

$V_{OL}$  and  $V_{OH}$  are the typical output voltage drop that occur with the output load.

# CK98R (100/133MHz) RCC spread spectrum system clock generator

PCK2010R

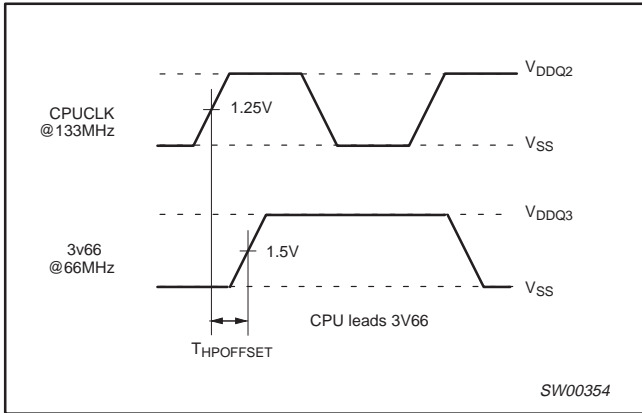


Figure 1. CPUCLK to 3V66 offset

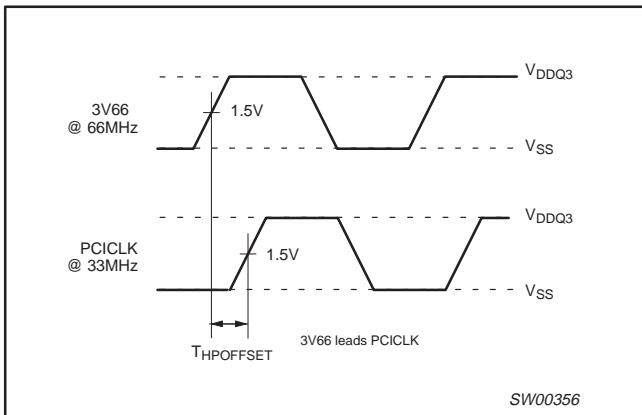


Figure 2. 3V66 to PCI offset

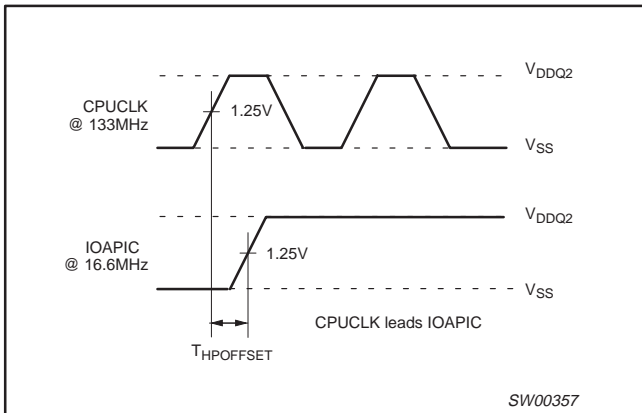


Figure 3. CPU to IOAPIC offset

# CK98R (100/133MHz) RCC spread spectrum system clock generator

PCK2010R

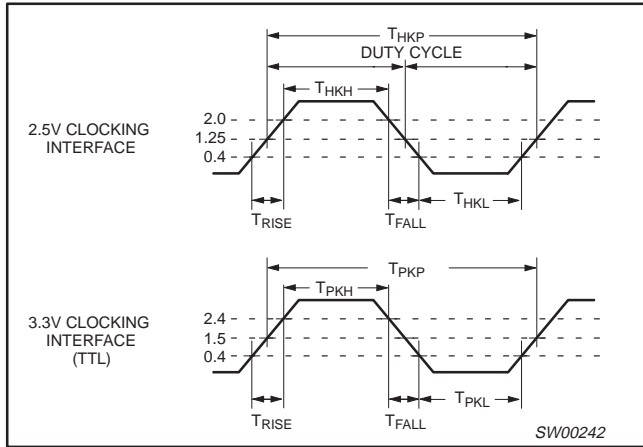


Figure 4. 2.5V/3.3V clock waveforms

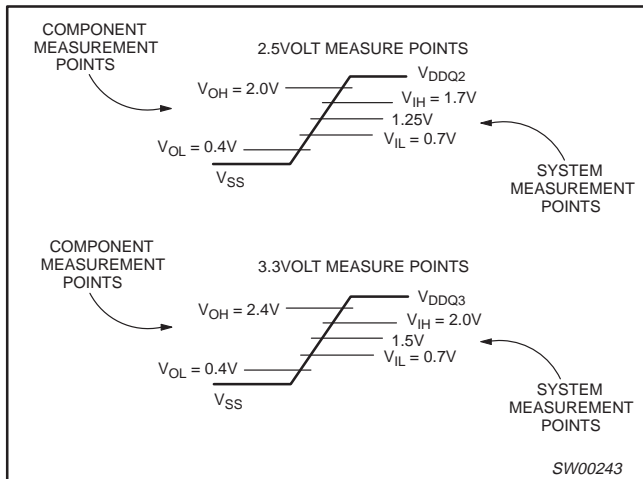
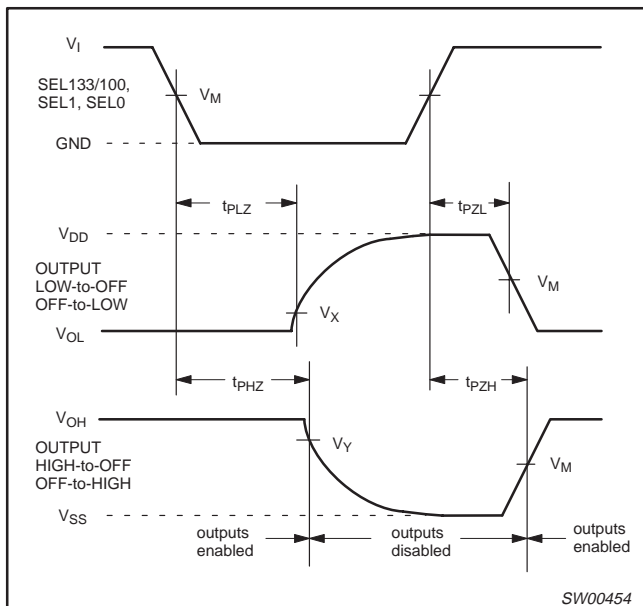


Figure 5. Component versus system measurement points



# CK98R (100/133MHz) RCC spread spectrum system clock generator

PCK2010R

Figure 6. 3-State enable and disable times

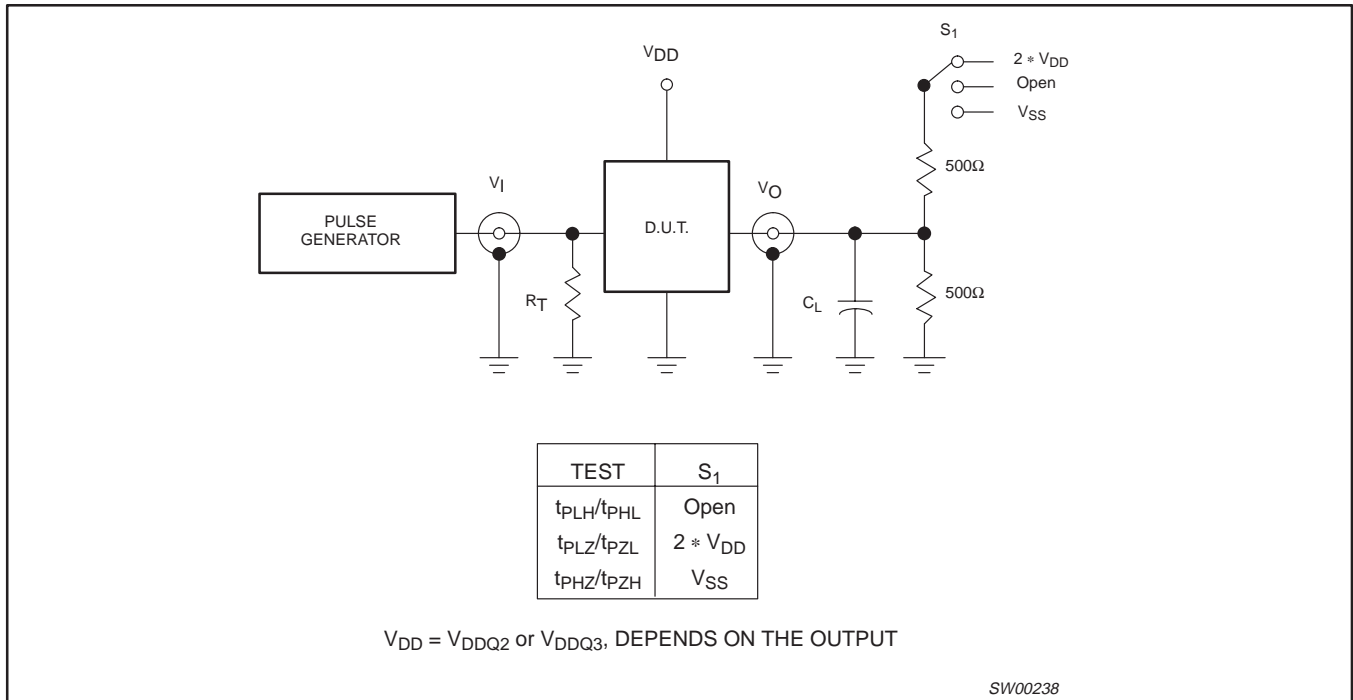


Figure 7. Load circuitry for switching times

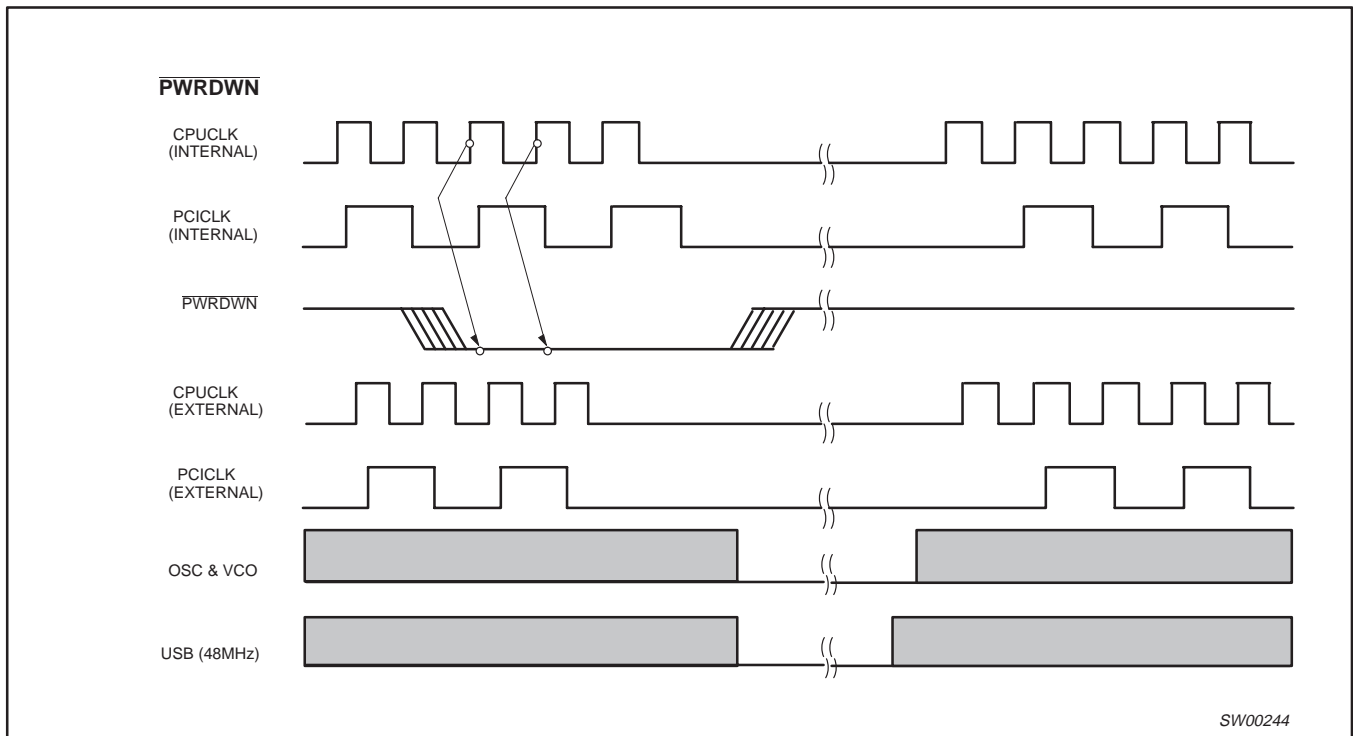


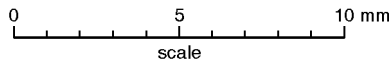
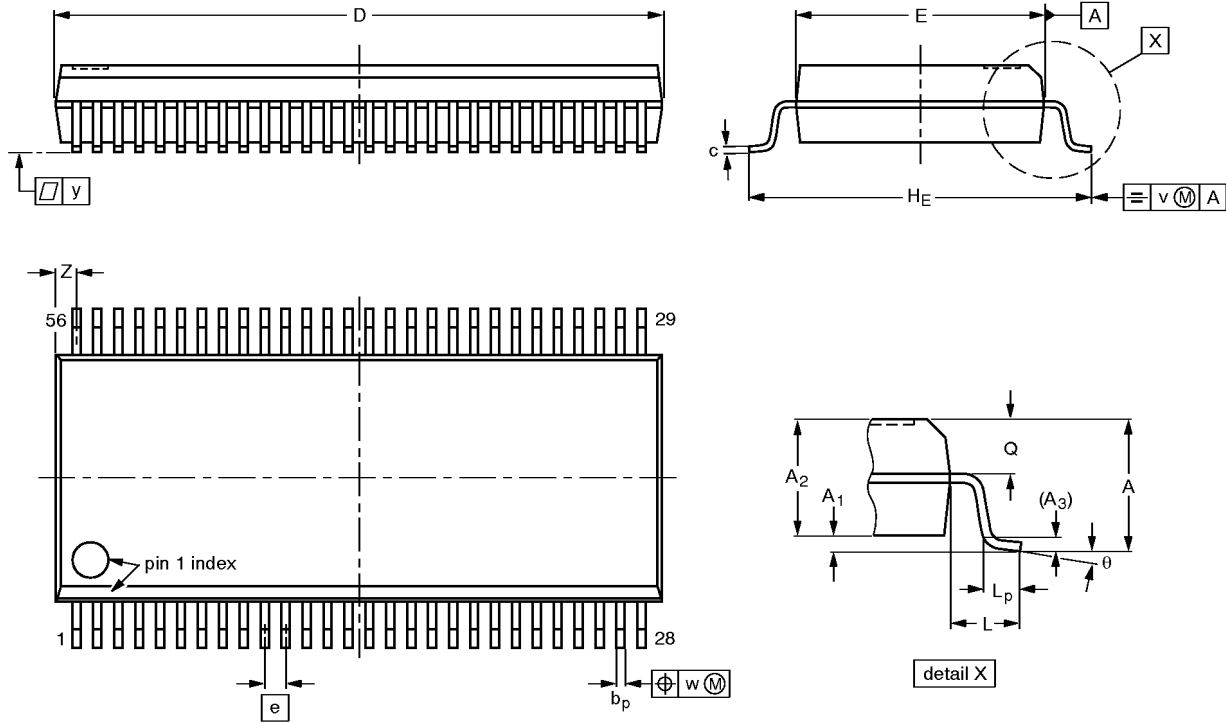
Figure 8. Power Management

CK98R (100/133MHz) RCC spread spectrum system clock generator

PCK2010R

SSOP56: plastic shrink small outline package; 56 leads; body width 7.5 mm

SOT371-1



DIMENSIONS (mm are the original dimensions)

UNIT	A max.	A <sub>1</sub>	A <sub>2</sub>	A <sub>3</sub>	b <sub>p</sub>	c	D <sup>(1)</sup>	E <sup>(1)</sup>	e	H <sub>E</sub>	L	L <sub>p</sub>	Q	v	w	y	Z <sup>(1)</sup>	θ
mm	2.8	0.4 0.2	2.35 2.20	0.25	0.3 0.2	0.22 0.13	18.55 18.30	7.6 7.4	0.635	10.4 10.1	1.4	1.0 0.6	1.2 1.0	0.25	0.18	0.1	0.85 0.40	8° 0°

Note

1. Plastic or metal protrusions of 0.25 mm maximum per side are not included.

OUTLINE VERSION	REFERENCES				EUROPEAN PROJECTION	ISSUE DATE
	IEC	JEDEC	EIAJ			
SOT371-1		MO-118AB				93-11-02 95-02-04



---

CK98R (100/133MHz) RCC spread spectrum  
system clock generator

---

PCK2010R

**NOTES**

# CK98R (100/133MHz) RCC spread spectrum system clock generator

PCK2010R

## Data sheet status

Data sheet status	Product status	Definition [1]
Objective specification	Development	This data sheet contains the design target or goal specifications for product development. Specification may change in any manner without notice.
Preliminary specification	Qualification	This data sheet contains preliminary data, and supplementary data will be published at a later date. Philips Semiconductors reserves the right to make changes at any time without notice in order to improve design and supply the best possible product.
Product specification	Production	This data sheet contains final specifications. Philips Semiconductors reserves the right to make changes at any time without notice in order to improve design and supply the best possible product.

[1] Please consult the most recently issued datasheet before initiating or completing a design.

## Definitions

**Short-form specification** — The data in a short-form specification is extracted from a full data sheet with the same type number and title. For detailed information see the relevant data sheet or data handbook.

**Limiting values definition** — Limiting values given are in accordance with the Absolute Maximum Rating System (IEC 134). Stress above one or more of the limiting values may cause permanent damage to the device. These are stress ratings only and operation of the device at these or at any other conditions above those given in the Characteristics sections of the specification is not implied. Exposure to limiting values for extended periods may affect device reliability.

**Application information** — Applications that are described herein for any of these products are for illustrative purposes only. Philips Semiconductors make no representation or warranty that such applications will be suitable for the specified use without further testing or modification.

## Disclaimers

**Life support** — These products are not designed for use in life support appliances, devices or systems where malfunction of these products can reasonably be expected to result in personal injury. Philips Semiconductors customers using or selling these products for use in such applications do so at their own risk and agree to fully indemnify Philips Semiconductors for any damages resulting from such application.

**Right to make changes** — Philips Semiconductors reserves the right to make changes, without notice, in the products, including circuits, standard cells, and/or software, described or contained herein in order to improve design and/or performance. Philips Semiconductors assumes no responsibility or liability for the use of any of these products, conveys no license or title under any patent, copyright, or mask work right to these products, and makes no representations or warranties that these products are free from patent, copyright, or mask work right infringement, unless otherwise specified.

Philips Semiconductors  
811 East Arques Avenue  
P.O. Box 3409  
Sunnyvale, California 94088-3409  
Telephone 800-234-7381

© Copyright Philips Electronics North America Corporation 1999  
All rights reserved. Printed in U.S.A.

Date of release: 10-99

Document order number:

9397-750-06509

*Let's make things better.*

SUNSTAR 商斯达实业集团是集研发、生产、工程、销售、代理经销、技术咨询、信息服务等为一体的高科技企业，是专业高科技电子产品生产厂家，是具有 10 多年历史的专业电子元器件供应商，是中国最早和最大的仓储式连锁规模经营大型综合电子零部件代理分销商之一，是一家专业代理和分销世界各大品牌 IC 芯片和电子元器件的连锁经营综合性国际公司，专业经营进口、国产名厂名牌电子元件，型号、种类齐全。在香港、北京、深圳、上海、西安、成都等全国主要电子市场设有直属分公司和产品展示展销窗口门市部专卖店及代理分销商，已在全国范围内建成强大统一的供货和代理分销网络。我们专业代理经销、开发生产电子元器件、集成电路、传感器、微波光电元器件、工控机/DOC/DOM 电子盘、专用电路、单片机开发、MCU/DSP/ARM/FPGA 软件硬件、二极管、三极管、模块等，是您可靠的一站式现货配套供应商、方案提供商、部件功能模块开发配套商。商斯达实业公司拥有庞大的资料库，有数位毕业于著名高校——有中国电子工业摇篮之称的西安电子科技大学（西军电）并长期从事国防尖端科技研究的高级工程师为您精挑细选、量身订做各种高科技电子元器件，并解决各种技术问题。

微波光电部专业代理经销高频、微波、光纤、光电元器件、组件、部件、模块、整机；电磁兼容元器件、材料、设备；微波 CAD、EDA 软件、开发测试仿真工具；微波、光纤仪器仪表。欢迎国外高科技微波、光纤厂商将优秀产品介绍到中国、共同开拓市场。长期大量现货专业批发高频、微波、卫星、光纤、电视、CATV 器件：晶振、VCO、连接器、PIN 开关、变容二极管、开关二极管、低噪晶体管、功率电阻及电容、放大器、功率管、MMIC、混频器、耦合器、功分器、振荡器、合成器、衰减器、滤波器、隔离器、环行器、移相器、调制解调器；光电子元件和组件：红外发射管、红外接收管、光电开关、光敏管、发光二极管和发光二极管组件、半导体激光二极管和激光器组件、光电探测器和光接收组件、光发射接收模块、光纤激光器和光放大器、光调制器、光开关、DWDM 用光发射和接收器件、用户接入系统光收发器件与模块、光纤连接器、光纤跳线/尾纤、光衰减器、光纤适配器、光隔离器、光耦合器、光环行器、光复用器/转换器；无线收发芯片和模组、蓝牙芯片和模组。

更多产品请看本公司产品专用销售网站：

商斯达中国传感器科技信息网：<http://www.sensor-ic.com/>

商斯达工控安防网：<http://www.pc-ps.net/>

商斯达电子元器件网：<http://www.sunstare.com/>

商斯达微波光电产品网：[HTTP://www.rfoe.net/](http://www.rfoe.net/)

商斯达消费电子产品网：<http://www.icasic.com/>

商斯达实业科技产品网：<http://www.sunstars.cn/> 微波元器件销售热线：

地址：深圳市福田区福华路福庆街鸿图大厦 1602 室

电话：0755-82884100 83397033 83396822 83398585

传真：0755-83376182 (0) 13823648918 MSN: SUNS8888@hotmail.com

邮编：518033 E-mail:[szss20@163.com](mailto:szss20@163.com) QQ: 195847376

深圳赛格展销部：深圳华强北路赛格电子市场 2583 号 电话：0755-83665529 25059422

技术支持：0755-83394033 13501568376

欢迎索取免费详细资料、设计指南和光盘；产品凡多，未能尽录，欢迎来电查询。

北京分公司：北京海淀区知春路 132 号中发电子大厦 3097 号

TEL: 010-81159046 82615020 13501189838 FAX: 010-62543996

上海分公司：上海市北京东路 668 号上海赛格电子市场 D125 号

TEL: 021-28311762 56703037 13701955389 FAX: 021-56703037

西安分公司：西安高新开发区 20 所(中国电子科技集团导航技术研究所)

西安劳动南路 88 号电子商城二楼 D23 号

TEL: 029-81022619 13072977981 FAX:029-88789382