

# DATA SHEET



## **UDA1321** Universal Serial Bus (USB) Digital-to-Analog Converter (DAC)

Preliminary specification  
Supersedes data of 1998 May 12  
File under Integrated Circuits, IC01

1998 Oct 06

# Universal Serial Bus (USB) Digital-to-Analog Converter (DAC)

UDA1321



## FEATURES

### General

- Universal Serial Bus (USB) stereo Digital-to-Analog Converter (DAC) system with adaptive (5 to 55 kHz) 20-bits digital-to-analog conversion and filtering
- USB-compliant audio and Human Interface Device (HID)
- Supports 12 Mb/s full-speed serial data transmission
- Supports multiple audio data formats (8, 16 and 24 bits)
- Supports headphone and line output
- Fully automatic 'Plug-and-Play' operation
- High linearity
- Wide dynamic range
- Superior signal-to-noise ratio (typical 95 dB)
- Low total harmonic distortion (typical 90 dB)
- 3.3 V power supply
- Efficient power management
- Low power consumption
- On-chip master clock oscillator, only an external crystal is required
- Partly programmable USB descriptors and configuration via I<sup>2</sup>C-bus.

### Sound processing

- Separate digital volume control for left and right channel
- Soft mute
- Digital bass and treble tone control
- External Digital Sound Processor (DSP) option possible via standard I<sup>2</sup>S-bus or Japanese digital I/O format
- Selectable clipping prevention
- Selectable Dynamic Bass Boost (DBB)
- On-chip digital de-emphasis.

## Document references

- "USB Specification"
- "USB Common Class Specification"
- "USB Device Class Definition for Audio Devices"
- "Device Class Definition for Human Interface Devices (HID)"
- "USB HID Usage Table".

## APPLICATIONS

- USB monitors
- USB speakers
- USB headsets
- USB telephone/answering machines
- USB links in consumer audio devices.

## GENERAL DESCRIPTION

The UDA1321 is a stereo CMOS digital-to-analog bitstream converter designed for USB-compliant audio playback devices and multimedia audio applications. The UDA1321 is an adaptive asynchronous sink USB audio device with a continuous sampling frequency ( $f_s$ ) range from 5 to 55 kHz. It contains a USB interface, an embedded microcontroller and an Asynchronous Digital-to-Analog Converter (ADAC).

The USB interface is the interface between the USB, the ADAC and the microcontroller. The USB interface consists of an analog front-end and a USB processor. The analog front-end transforms the differential USB data to a digital data stream. The USB processor buffers the input and output data from the analog front-end and handles all low-level USB protocols. The USB processor selects the relevant data from the universal serial bus, performs an extensive error detection and separates control information (input and output) and audio information (input only).

# Universal Serial Bus (USB) Digital-to-Analog Converter (DAC)

UDA1321

The control information becomes accessible at the microcontroller. The audio information becomes available at the digital I/O output or is fed directly to the ADAC.

The microcontroller handles the high-level USB protocols, translates the incoming control requests and manages the user interface via General Purpose (GP) pins and an I<sup>2</sup>C-bus.

The ADAC enables the wide and continuous range of input sampling frequencies. By means of a Sample Frequency Generator (SFG), the ADAC is able to reconstruct the average sample frequency from the incoming audio samples. The ADAC also performs the sound processing.

The ADAC consists of FIFO registers, a unique audio feature processing DSP, the SFG, digital up-sampling filters, a variable hold register, a Noise Shaper (NS) and a Filter Stream DAC (FSDAC) with integrated filter and line output drivers. The audio information is applied to the ADAC via the USB processor or via the digital I/O input.

An external DSP can be used for adding extra sound processing features via the digital I/O-bus.

The UDA1321 supports the standard I<sup>2</sup>S-bus data input format and the LSB-justified serial data input format with word lengths of 16, 18 and 20 bits.

The wide dynamic range of the bitstream conversion technique used in the UDA1321 guarantees a high audio sound quality.

## QUICK REFERENCE DATA

SYMBOL	PARAMETER	CONDITIONS	MIN.	TYP.	MAX.	UNIT
<b>Supplies</b>						
V <sub>DD</sub>	supply voltage	note 1	3.0	3.3	3.6	V
I <sub>DD(tot)</sub>	total supply current		–	50	–	mA
I <sub>DD(ps)</sub>	supply current in power-save mode	note 3	–	18	–	mA
<b>Dynamic performance DAC</b>						
$\frac{THD + N}{S}$	total harmonic distortion-plus-noise to signal ratio	f <sub>s</sub> = 44.1 kHz; R <sub>L</sub> = 5 kΩ at input signal of 1 kHz (0 dB)  at input signal of 1 kHz (–60 dB)	– – – –	–90 <sup>(2)</sup> 0.0032 –30 <sup>(2)</sup> 3.2	–80 0.01 –20 10	dB % dB %
S/N <sub>bz</sub>	signal-to-noise ratio at bipolar zero	A-weighted at code 0000H	90	95	–	dBA
V <sub>o(FS)(rms)</sub>	full-scale output voltage (RMS value)	V <sub>DD</sub> = 3.3 V	–	0.66	–	V
<b>General characteristics</b>						
f <sub>i(sample)</sub>	audio sample input frequency		5	–	55	kHz
T <sub>amb</sub>	operating ambient temperature		0	25	70	°C

## Notes

- V<sub>DD</sub> is the supply voltage on pins V<sub>DDA</sub>, V<sub>DDE</sub>, V<sub>DDI</sub> and V<sub>DDX</sub>. V<sub>SS</sub> is the ground on pins V<sub>SSA</sub>, V<sub>SSE</sub>, V<sub>SSI</sub> and V<sub>SSX</sub>. All V<sub>DD</sub> and V<sub>SS</sub> pins must be connected to the same supply or ground respectively.
- The audio information from the USB interface is fed directly to the ADAC.
- The power-save mode (power management) is not supported in the UDA1321/N101; see Chapter “USB-DAC UDA1321/N101 (Firmware sw 2.1.1.7)”.

---

**Universal Serial Bus (USB)  
Digital-to-Analog Converter (DAC)**

---

**UDA1321****ORDERING INFORMATION**

TYPE NUMBER	PACKAGE		
	NAME	DESCRIPTION	VERSION
UDA1321H/N101	QFP64	plastic quad flat package; 64 leads (lead length 1.95 mm); body 14 × 20 × 2.8 mm	SOT319-2
UDA1321T/N101	SO28	plastic small outline package; 28 leads; body width 7.5 mm	SOT136-1
UDA1321PS/N101	SDIP32	plastic shrink dual in-line package; 32 leads (400 mil)	SOT232-1

Universal Serial Bus (USB)  
Digital-to-Analog Converter (DAC)

UDA1321

BLOCK DIAGRAM

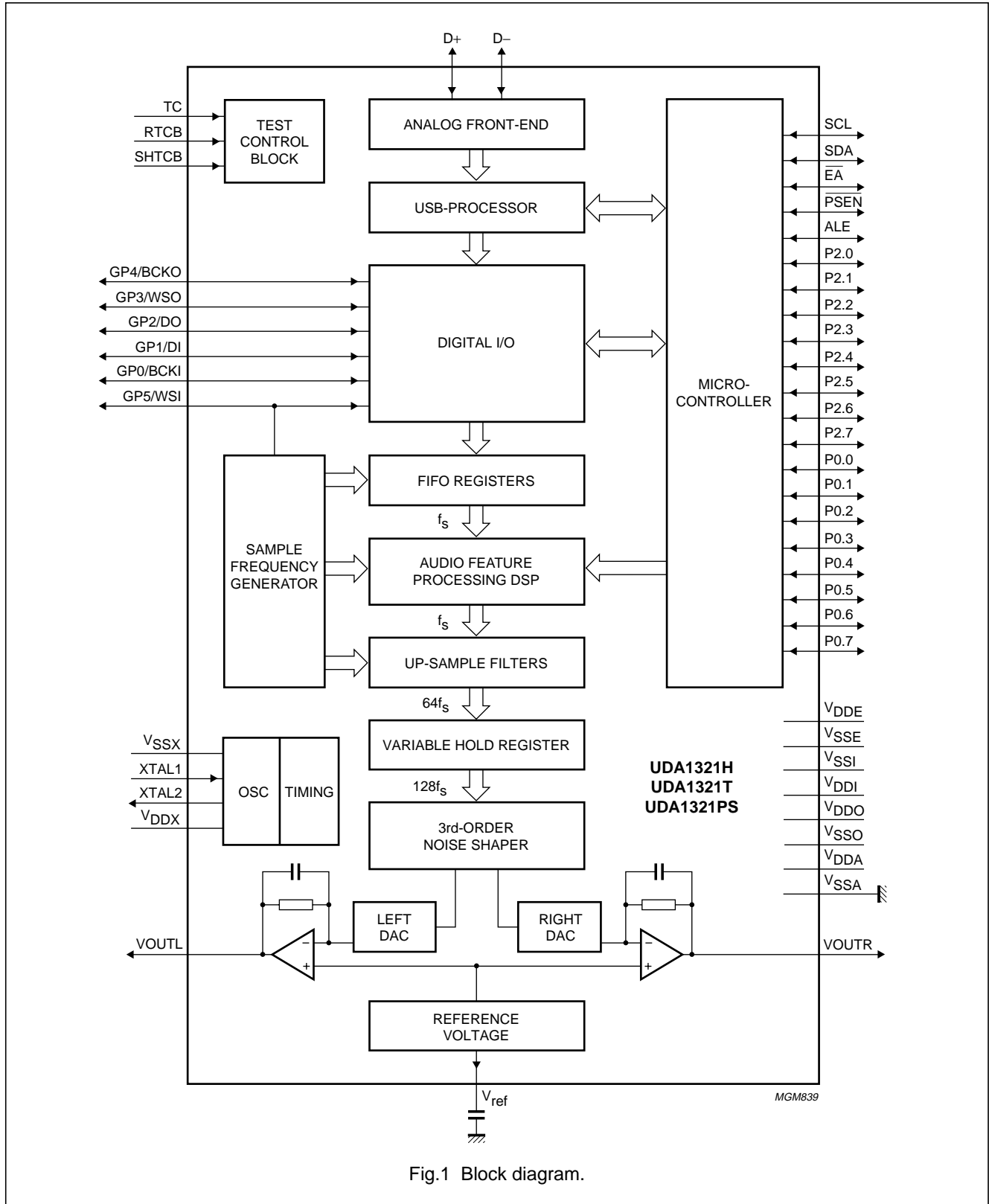


Fig.1 Block diagram.

# Universal Serial Bus (USB) Digital-to-Analog Converter (DAC)

UDA1321

**PINNING**

SYMBOL	PIN QFP64	PIN SDIP32	PIN SO28	I/O	DESCRIPTION
GP5/WSI	2	29	25	I/O	general purpose pin 5 or word select input
SCL	3	30	26	I/O	serial clock input (I <sup>2</sup> C-bus)
SDA	4	31	27	I/O	serial data input/output (I <sup>2</sup> C-bus)
P0.7	5	n.a.	n.a.	I/O	Port 0.7 of the microcontroller
$\overline{\text{EA}}$	6	n.a.	n.a.	I/O	external access (active LOW)
GP1/DI	7	32	28	I/O	general purpose pin 1 or data input
$\overline{\text{PSEN}}$	8	n.a.	n.a.	I/O	program store enable (active LOW)
ALE	9	n.a.	n.a.	I/O	address latch enable (active HIGH)
GP2/DO	10	1	1	I/O	general purpose pin 2 or data output for extra DSP chip
P2.0	11	n.a.	n.a.	I/O	Port 2.0 of the microcontroller
P2.1	12	n.a.	n.a.	I/O	Port 2.1 of the microcontroller
GP3/WSO	13	2	2	I/O	general purpose pin 3 or master word select output for extra DSP chip
GP4/BCKO	14	3	3	I/O	general purpose pin 4 or master bit clock output for extra DSP chip
SHTCB	15	4	4	I	shift clock TCB input (active HIGH)
D-	17	6	5	I/O	negative data line of the differential data bus conform to the USB-standard
P2.2	18	n.a.	n.a.	I/O	Port 2.2 of the microcontroller
P2.3	19	n.a.	n.a.	I/O	Port 2.3 of the microcontroller
D+	20	7	6	I/O	positive data line of the differential data bus conform to the USB-standard
P2.4	21	n.a.	n.a.	I/O	Port 2.4 of the microcontroller
P2.5	22	n.a.	n.a.	I/O	Port 2.5 of the microcontroller
P2.6	23	n.a.	n.a.	I/O	Port 2.6 of the microcontroller
P2.7	24	n.a.	n.a.	I/O	Port 2.7 of the microcontroller
V <sub>DDI</sub>	25	8	7	-	digital supply voltage core
V <sub>SSI</sub>	29	9	8	-	digital ground core
V <sub>SSE</sub>	30	10	9	-	digital ground I/O pins
V <sub>DDE</sub>	32	11	10	-	digital supply voltage I/O pins
V <sub>SSX</sub>	36	13	11	-	crystal oscillator ground
XTAL1	37	14	12	I	crystal oscillator input 1
XTAL2	38	15	13	O	crystal oscillator output 2
V <sub>DDX</sub>	39	16	14	-	crystal oscillator supply voltage
V <sub>ref</sub>	42	18	15	O	reference output voltage
V <sub>SSA</sub>	44	19	16	-	analog ground
V <sub>DDA</sub>	45	20	17	-	analog supply voltage
VOU <sub>TR</sub>	46	21	18	O	right channel output voltage
V <sub>SSO</sub>	49	22	19	-	operational amplifier ground

**Universal Serial Bus (USB)  
Digital-to-Analog Converter (DAC)**

UDA1321

SYMBOL	PIN QFP64	PIN SDIP32	PIN SO28	I/O	DESCRIPTION
V <sub>DDO</sub>	51	23	20	–	operational amplifier supply voltage
VO <sub>UTL</sub>	53	24	21	O	left channel output voltage
TC	55	25	22	I	test control input (active HIGH)
P0.0	56	n.a.	n.a.	I/O	Port 0.0 of the microcontroller
P0.1	57	n.a.	n.a.	I/O	Port 0.1 of the microcontroller
P0.2	58	n.a.	n.a.	I/O	Port 0.2 of the microcontroller
P0.3	59	n.a.	n.a.	I/O	Port 0.3 of the microcontroller
P0.4	60	n.a.	n.a.	I/O	Port 0.4 of the microcontroller
RTCB	61	26	23	I	asynchronous reset input for test control box (active HIGH)
P0.5	62	n.a.	n.a.	I/O	Port 0.5 of the microcontroller
P0.6	63	n.a.	n.a.	I/O	Port 0.6 of the microcontroller
GP0/BCKI	64	27	24	I/O	general purpose pin 0 or master bit clock input
n.c.	1, 16, 26, 27, 28, 31, 33, 34, 35, 40, 41, 43, 47, 48, 50, 52, 54	5, 12, 17, 28	n.a.	–	not connected

Universal Serial Bus (USB)  
Digital-to-Analog Converter (DAC)

UDA1321

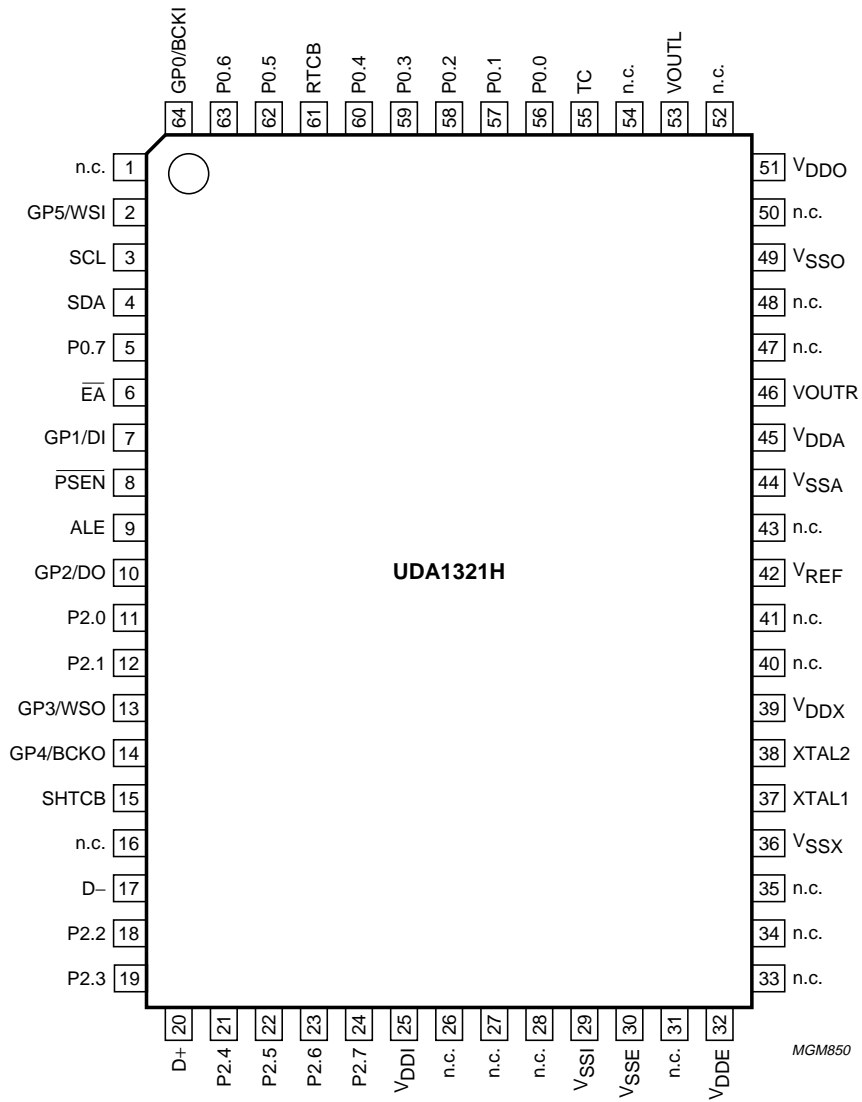


Fig.2 Pin configuration QFP64.



Universal Serial Bus (USB)  
Digital-to-Analog Converter (DAC)

UDA1321

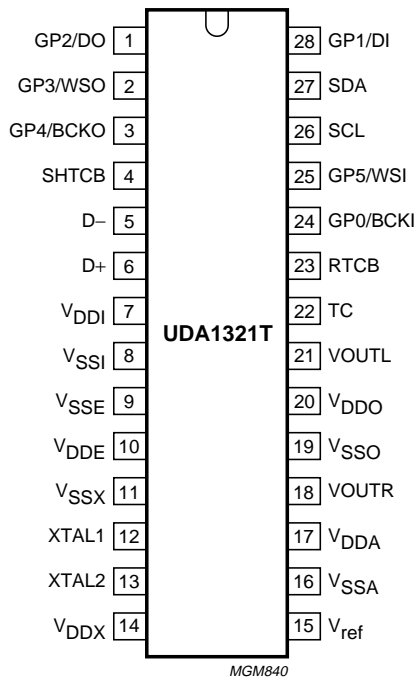


Fig.3 Pin configuration SO28.

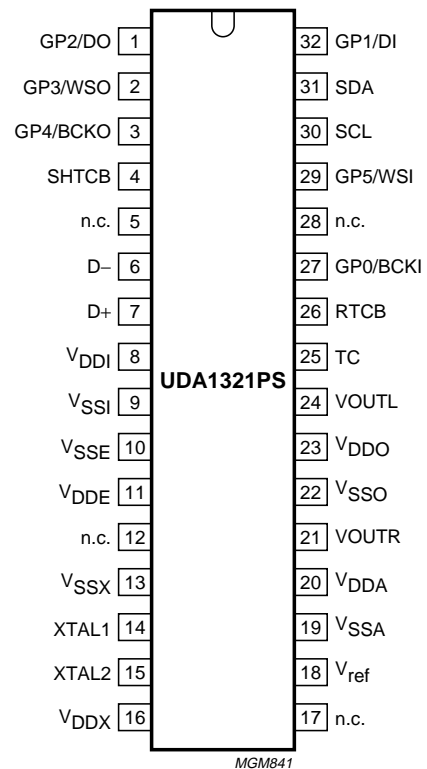


Fig.4 Pin configuration SDIP32.

# Universal Serial Bus (USB) Digital-to-Analog Converter (DAC)

UDA1321

## FUNCTIONAL DESCRIPTION

All bold-faced parameters given in this data sheet such as 'bAlternateSetting' are part of the USB specification as described in "USB Device Class Definition for Audio Devices".

### The Universal Serial Bus (USB)

Data and power are transferred via the USB by a 4-wire cable. The signalling occurs via two wires and point-to-point segments. The signals on each segment are differentially driven into a cable of 90  $\Omega$  intrinsic impedance. The differential receiver features input sensitivity of at least 200 mV and sufficient common mode rejection.

### The analog front-end

The analog front-end is an on-chip generic USB transceiver. It is designed to allow voltage levels up to  $V_{DD}$  from standard or programmable logic to interface with the physical layer of the USB. It is capable of receiving and transmitting serial data at full speed (12 Mbits/s).

### The USB processor

The USB processor forms the interface between the analog front-end, the ADAC and the microcontroller. The USB processor consists of:

- The Philips Serial Interface Engine (PSIE)
- The Memory Management Unit (MMU)
- The Audio Sample Redistribution (ASR) module.

#### THE PHILIPS SERIAL INTERFACE ENGINE AND MEMORY MANAGEMENT UNIT (PSIE AND MMU)

The PSIE and MMU translate the electrical USB signals into bytes and signals. Depending upon the USB device address and the USB endpoint address, the USB data is directed to the correct endpoint buffer on the PSIE and MMU interface. The data transfer could be of the bulk, isochronous, control or interrupt type. The USB device address is configured during the enumeration process. The UDA1321 has three endpoints. These are:

- Control endpoint 0
- Status interrupt endpoint
- Isochronous data sink endpoint.

The amount of bytes per packet on the control endpoint is limited by the PSIE and MMU hardware to 8 bytes per packet.

The PSIE is the digital front-end of the USB processor. This module recovers the 12 MHz USB clock, detects the USB sync word and handles all low-level USB protocols and error checking.

The MMU is the digital back-end of the USB processor. It handles the temporary data storage of all USB packets that are received or sent over the bus. Three types of packets are defined on the USB. These are:

- Token packets
- Data packets
- Handshake packets.

The token packet contains information about the destination of the data packet. The audio data is transferred via an isochronous data sink endpoint and consequently no handshaking mechanism is used. The MMU also generates a 1 kHz clock that is locked to the USB Start-Of-Frame (SOF) token.

#### THE AUDIO SAMPLE REDISTRIBUTION (ASR) MODULE

The ASR module reads the audio samples from the MMU and distributes these samples equidistant over a 1 ms frame period. The distributed audio samples are translated by the digital I/O module to standard I<sup>2</sup>S-bus format or Japanese digital I/O format. The ASR module generates the bit clock and the word select signal of the digital I/O. The digital I/O formats the received audio samples to one of the four specified serial digital audio formats (standard I<sup>2</sup>S-bus, 16, 18 or 20 bits LSB-justified).

### The microcontroller

The microcontroller receives the control information selected from the USB by the USB processor. It handles the high-level USB protocols and the user interfaces.

The major task of the software process, that is mapped upon the microcontroller, is to control the different modules of the UDA1321 in such a way that it behaves as a USB device. Therefore the microcontroller:

- Interprets the USB requests and maps them upon the UDA1321 application
- Controls the internal operation of the UDA1321 and the digital I/O pins
- Communicates with the external world (EEPROM) using the I<sup>2</sup>C-bus facility and the general purpose I/O pins.

# Universal Serial Bus (USB) Digital-to-Analog Converter (DAC)

UDA1321

## The Asynchronous Digital-to-Analog Converter (ADAC)

The ADAC receives USB audio information from the USB processor or from the digital I/O-bus. The ADAC is able to reconstruct the sample clock from the rate at which the audio samples arrive and handles the audio sound processing. After processing, the audio signal is up-sampled, noise-shaped and converted to analog output voltages capable of driving a line output. The ADAC consists of:

- A Sample Frequency Generator (SFG)
- First-In First-Out (FIFO) registers
- An audio feature processing DSP
- Two digital up-sample filters
- A variable hold register
- A digital Noise Shaper (NS)
- A Filter Stream DAC (FSDAC) with integrated filter and line output drivers.

### THE SAMPLE FREQUENCY GENERATOR (SFG)

The SFG controls the timing signals for the asynchronous digital-to-analog conversion. By means of a digital PLL, the SFG automatically recovers the applied sampling frequency and generates the accurate timing signals for the audio feature processing DSP and the up-sample filters.

### FIRST-IN FIRST-OUT (FIFO) REGISTERS

The FIFO registers are used to store the audio samples temporarily coming from the USB processor or from the digital I/O input. The use of a FIFO register (in conjunction with the SFG) is necessary to remove all jitter present on the incoming audio signal.

### THE AUDIO FEATURE PROCESSING DSP

A DSP processes the sound features. The control and mapping of the sound features is explained in Section "Controlling the USB Digital-to-Analog Converter (DAC)". Depending on the sampling rate ( $f_s$ ) the DSP has four frequency domains in which the treble and bass are regulated (see Table 1). The domain is chosen automatically.

### THE UP-SAMPLE FILTERS AND VARIABLE HOLD REGISTER

After the audio feature processing DSP two up-sample filters and a variable hold register increase the oversampling rate to  $128f_s$ .

**Table 1** Frequency domains for audio processing

DOMAIN	SAMPLE FREQUENCY (kHz)
1	5 to 12
2	12 to 25
3	25 to 40
4	40 to 55

### THE NOISE SHAPER

A 3rd-order noise shaper converts the oversampled data to a noise-shaped bitstream for the FSDAC. The in-band quantization noise is shifted to frequencies well above the audio band.

### THE FILTER STREAM DAC (FSDAC)

The FSDAC is a semi-digital reconstruction filter that converts the 1-bit data stream of the noise shaper to an analog output voltage. The filter coefficients are implemented as current sources and are summed at virtual ground of the output operational amplifier. In this way very high signal-to-noise performance and low clock jitter sensitivity is achieved. A post filter is not needed because of the inherent filter function of the DAC. On-board amplifiers convert the FSDAC output current to an output voltage signal capable of driving a line output.

## USB Digital-to-Analog Converter (DAC) descriptors

In a typical USB environment the USB host has to know which kind of devices are connected. For this purpose each device contains a number of USB descriptors. These descriptors describe, from different points of view (USB configuration, USB interface and USB endpoint), the capabilities of a device. Each of them can be requested by the host. The collection of descriptors is denoted as a descriptor map. This descriptor map will be reported to the USB host during enumeration and on request.

The full descriptor map is implemented in the firmware exploiting the full functionality of the UDA1321. The USB descriptors and their most important fields, in relationship to the characteristics of the UDA1321 are briefly explained below.

### GENERAL DESCRIPTORS

The UDA1321 supports one configuration containing a control interface, an audio interface and a HID interface. The descriptor map that describes this configuration is partly fixed and partly programmable.

# Universal Serial Bus (USB) Digital-to-Analog Converter (DAC)

UDA1321

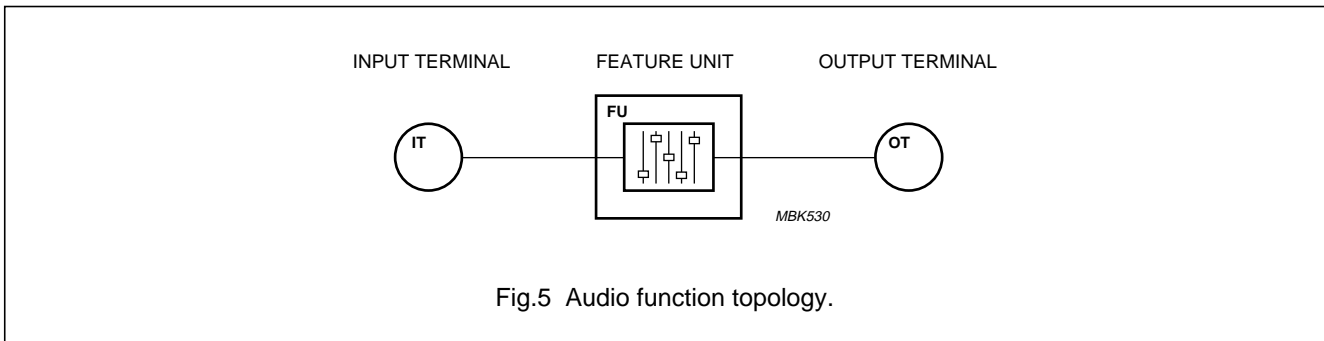


Fig.5 Audio function topology.

The programmable part can be retrieved from one of four configuration maps located in the firmware or from an I<sup>2</sup>C-bus EEPROM. At start-up one of four configuration maps can be selected depending on the logical combination of GP3 and GP0. It is possible to overwrite this configuration map with a configuration map loaded from an I<sup>2</sup>C-bus EEPROM.

### AUDIO DEVICE CLASS SPECIFIC DESCRIPTORS

The audio device class is partly specified with standard descriptors and partly with specific audio device class descriptors. The standard descriptors specify the number and the type of the interface or endpoint. The UDA1321 supports 7 different audio modes:

- 8-bit Pulse Code Modulation (PCM) mono or stereo audio data
- 16-bit PCM mono or stereo audio data
- 24-bit PCM mono or stereo audio data
- Zero bandwidth mode.

Each mode is defined as an alternate setting of the audio interface, selectable with the standard audio streaming interface descriptor **bAlternateSetting** field.

The seven alternate settings are described in more detail by the specific audio device class descriptors.

The UDA1321 supports the Input Terminal (IT), Output Terminal (OT) and the Feature Unit (FU) descriptors.

The input and output terminals are not controllable via the USB. The feature unit provides the basic manipulation of the incoming logical channels.

The supported sound features are:

- Volume control
- Mute control
- Treble control
- Bass control
- Bass boost control.

**Table 2** Audio bandwidth at each audio mode

AUDIO MODE	wMaxPacketSize
8-bit PCM; mono	56 ( $\frac{8}{8} \times 1 \times 56$ )
8-bit PCM; stereo	112 ( $\frac{8}{8} \times 2 \times 56$ )
16-bit PCM; mono	112 ( $\frac{16}{8} \times 1 \times 56$ )
16-bit PCM; stereo	224 ( $\frac{16}{8} \times 2 \times 56$ )
24-bit PCM; mono	168 ( $\frac{24}{8} \times 1 \times 56$ )
24-bit PCM; stereo	336 ( $\frac{24}{8} \times 2 \times 56$ )

The maximum number of audio data samples within a USB packet arriving on the isochronous sink endpoint is restricted by the buffer capacity of this isochronous endpoint. The maximum buffer capacity is 336 bytes/ms.

For each alternate setting with audio, a maximum bandwidth is claimed as indicated in the standard isochronous audio data endpoint descriptor **wMaxPacketSize** field. To allow a small overshoot in the number of audio samples per packet, the top sample frequency of 55 kHz is taken in the calculation of the bandwidth for each alternate setting. For each alternate setting, with its own isochronous audio data endpoint descriptor, **wMaxPacketSize** field is then defined as described in Table 2.

Although in a specific UDA1321 application no endpoint control properties can be used upon the isochronous adaptive sink endpoint, the descriptors are still necessary to inform the host about the definition of this endpoint: isochronous, adaptive, sink, continuous sampling frequency (at input side of this endpoint) with lower bound of 5 kHz and upper bound of 55 kHz.

The audio class specific descriptors can be requested with the 'Get descriptor: configuration request', which returns all the descriptors, except the device descriptor.

### HUMAN INTERFACE DEVICE SPECIFIC DESCRIPTORS

The inputs defined on the UDA1321 are transmitted via the USB to the host according to the HID class. The host

## Universal Serial Bus (USB) Digital-to-Analog Converter (DAC)

UDA1321

responds with the appropriate settings via the audio device class for the audio related parts or via the HID class for the HID related inputs and outputs of the UDA1321.

A HID descriptor is necessary to inform the host about the conception of the user interface. The host communicates via the HID device driver using either the control pipe or the interrupt pipe. The UDA1321 uses USB endpoint 0 (control pipe) to respond to the HID specific 'Get/set report request' to receive or transmit data from or to the UDA1321. The UDA1321 uses the status interrupt endpoint as interrupt pipe for polling asynchronous data.

The UDA1321 is a high-speed device. The maximum transaction size is 64 bytes per USB frame and the polling rate is defined at a maximum of every 1 ms.

The host requests the configuration descriptor which includes the standard interface descriptor, the HID endpoint descriptor and the HID descriptor. The HID device driver of the host then requests the report descriptor.

Report descriptors are composed of pieces of information about the device. Each piece of information is called an item. All items have a 1-byte prefix that contains the item tag, type and size. In the UDA1321 only the short item basic type is used.

The hosts HID device driver will parse the report descriptor and the defined items. By examining all of these items, the HID class driver is able to determine the size and composition of data reports from the device.

The main items of the UDA1321 are input and output reports. Input reports are sent via the interrupt pipe (UDA1321 USB address 3). Input and output reports can be requested by the host via the control endpoint (USB address 0).

The UDA1321 supports a maximum of three pushbuttons, which represents a certain feature of the UDA1321. If pressed by the user the pushbutton will go to its 'ON' state, if not pressed the pushbutton will go back to its 'OFF' state. The UDA1321 supports a maximum of two outputs for e.g. user LEDs.

For more information about the input and output functions of the UDA1321 see the application documentation of the device.

### Controlling the USB Digital-to-Analog Converter (DAC)

This section describes the functionality of the feature unit of the UDA1321. The mapping of this functionality onto USB descriptors is as implemented in the firmware.

The sound features as defined in the "USB Device Class Definition for Audio Devices" are mapped on the UDA1321 specific feature registers by the microcontroller. These specific sound features are:

- Volume control (separate for left and right stereo channels, no master channel)
- Mute control (only master channel)
- Treble control (only master channel)
- Bass control (only master channel)
- Dynamic bass boost control (only master channel).

These specific features can be activated via the host (audio device class requests) or via the GP pins (HID plus audio device class requests). Via the I<sup>2</sup>C-bus the user is able to download the necessary configuration data for different applications (definition of the function of the GP pins, with or without digital I/O functionality, etc.). The mapping and control of the standard USB audio features and UDA1321 specific features is described below.

#### VOLUME CONTROL

Volume control is possible via the host or via predefined GP pins. The setting of 0 dB is always referenced to the maximum available volume setting. Table 3 gives the mapping of **wVolume** value (as defined in the "USB Device Class Definition for Audio Devices") upon the actual volume setting of the USB DAC. When using the UDA1321, the range is 0 down to -60 dB (in steps of 1 dB) and -∞ dB. Independent control of 'left'/'right' volume is possible. It should be noted that **wVolume** bits B7 to B0 are not used. Values above 0 dB are returned as 0 dB. The volume value at start-up of the device is defined in the selected configuration map.

Balance control is possible via the separate volume control option of both channels. Therefore the characteristics of the balance control are equal to the volume control characteristics.

# Universal Serial Bus (USB) Digital-to-Analog Converter (DAC)

UDA1321

**Table 3** Volume control characteristics; note 1

wVOLUME								VOLUME USB SIDE (dB)	VOLUME USB DAC (dB)
B15	B14	B13	B12	B11	B10	B9	B8		
0	0	0	0	0	0	0	0	0	0
1	1	1	1	1	1	1	1	-1	-1
1	1	1	1	1	1	1	0	-2	-2
1	1	1	1	1	1	0	1	-3	-3
1	1	1	1	1	1	0	0	-4	-4
1	1	1	1	1	0	1	1	-5	-5
1	1	1	1	1	0	1	0	-6	-6
1	1	1	1	1	0	0	1	-7	-7
1	1	1	1	1	0	0	0	-8	-8
1	1	1	1	0	1	1	1	-9	-9
1	1	1	1	0	1	1	0	-10	-10
...	...	...	...	...	...	...	...	...	...
1	1	0	0	0	1	0	1	-59	-59
1	1	0	0	0	1	0	0	-60	-60
1	1	0	0	0	0	1	1	-61	-∞
1	1	0	0	0	0	1	0	-62	-∞
...	...	...	...	...	...	...	...	...	...
1	0	0	0	0	0	0	0	-∞	-∞

**Note**

- The volume control characteristics of this table are in accordance with the latest Audio Device Class Definition. The volume control characteristics of the UDA1321/N101 are slightly different; see Chapter "USB-DAC UDA1321/N101 (Firmware sw 2.1.1.7)"

**MUTE CONTROL**

Mute is one of the sound features as defined in the "USB Device Class Definition for Audio Devices". The mute control request data **bMute** controls the position of the mute switch. The position can be either on or off. When **bMute** is true the feature unit is muted. When **bMute** is false the feature unit is not muted.

When the mute is active for the master channel, the value of the sample is decreased smoothly to zero following a raised cosine curve. There are 32 coefficients used to step down the value of the data, each one being used 32 times before stepping to the next.

This amounts to a mute transition of 23 ms at  $f_s = 44.1$  kHz. When the mute is released, the samples are returned to the full level again following a raised cosine curve with the same coefficients being used in reversed order. The mute, on the master channel is synchronized to the sample clock, so that operation always takes place on complete samples.

A mute can be given via the host or by pressing a predefined GP pin.

# Universal Serial Bus (USB) Digital-to-Analog Converter (DAC)

UDA1321

## TREBLE CONTROL

The treble control is available for the master channel of the UDA1321. Treble can be regulated in three modes: minimum, flat and maximum mode. The preferred mode is selected at start-up of the device (configuration map). The corner frequency is 3000 Hz for the minimum mode and 1500 Hz for the maximum mode. The treble range is from 0 to 6 dB in steps of 2 dB. It should be noted that the negative treble values as defined in the “*USB Device Class Definition for Audio Devices*” are not supported by the UDA1321; the 0 dB value is returned as 0 dB. Table 4 gives the mapping of the **bTreble** value upon the actual treble setting of the USB DAC.

**Table 4** Treble control characteristics; note 1

bTREBLE								TREBLE USB SIDE (dB)	TREBLE USB DAC (dB)		
B7	B6	B5	B4	B3	B2	B1	B0		minimum	flat	maximum
0	0	0	0	0	0	0	0	0.00	0	0	0
0	0	0	0	0	0	0	1	0.25			
0	0	0	0	0	0	1	0	0.50			
0	0	0	0	0	0	1	1	0.75			
0	0	0	0	0	1	0	0	1.00	2	0	2
0	0	0	0	0	1	0	1	1.25			
0	0	0	0	0	1	1	0	1.50			
0	0	0	0	0	1	1	1	1.75			
0	0	0	0	1	0	0	0	2.00			
0	0	0	0	1	0	0	1	2.25			
0	0	0	0	1	0	1	0	2.50			
0	0	0	0	1	0	1	1	2.75			
0	0	0	0	1	1	0	0	3.00			
0	0	0	0	1	1	0	1	3.25			
								...	4	0	4
0	0	0	1	0	1	0	1	5.25			
								...			
0	0	0	1	1	1	0	1	7.25			
								...	6	0	6
0	0	1	0	0	1	0	1	9.25			
								...			
0	1	1	1	1	1	1	1	31.75	6	0	6

### Note

1. The 2 dB step is not supported in the UDA1321/N101; see Chapter “USB-DAC UDA1321/N101 (Firmware sw 2.1.1.7)”.

Universal Serial Bus (USB)  
Digital-to-Analog Converter (DAC)

UDA1321

BASS CONTROL

The bass control is available for the master channel of the UDA1321. Bass can be regulated in three modes: minimum, flat and maximum mode. The preferred mode is selected at start-up of the device (configuration map). The Bass range is from 0 to about 14 dB (minimum mode) or about 24 dB (maximum mode) in steps of 2 dB. It should be noted that the negative bass values as defined in the “USB Device Class Definition for Audio Devices” are not supported by the UDA1321; the 0 dB value is returned as 0 dB. The maximum Bass value which will be reported to the host is always 24 dB independent of the mode. The maximum mode is the most accurate mode when the Bass values are reported to the host. The corner frequency is 100 Hz for the minimum mode and 75 Hz for the maximum mode. Table 5 gives the mapping of the **bBass** value upon the actual bass setting of the USB DAC.

**Table 5** Bass control characteristics

bBASS								BASS USB SIDE (dB)	BASS USB DAC (dB)		
B7	B6	B5	B4	B3	B2	B1	B0		minimum	flat	maximum
0	0	0	0	0	0	0	0	0.00	0	0	0
0	0	0	0	0	0	0	1	0.25			
0	0	0	0	0	0	1	0	0.50			
0	0	0	0	0	0	1	1	0.75			
0	0	0	0	0	1	0	0	1.00	1.1	0	1.7
0	0	0	0	0	1	0	1	1.25			
0	0	0	0	0	1	1	0	1.50			
0	0	0	0	0	1	1	1	1.75			
0	0	0	0	1	0	0	0	2.00			
0	0	0	0	1	0	0	1	2.25			
0	0	0	0	1	0	1	0	2.50			
0	0	0	0	1	0	1	1	2.75			
0	0	0	0	1	1	0	0	3.00	2.4	0	3.6
0	0	0	0	1	1	0	1	3.25			
								...			
0	0	0	1	0	1	0	1	5.25			
								...	3.7	0	5.4
0	0	0	1	1	1	0	1	7.25			
								...			
0	0	1	0	0	1	0	1	9.25	6.8	0	9.4
								...			
0	0	1	0	1	1	0	1	11.25	8.4	0	11.3
								...			
0	0	1	1	0	1	0	1	13.25	10.2	0	13.3
								...			
0	0	1	1	1	1	0	1	15.25	11.9	0	15.2
								...			
0	1	0	0	0	1	0	1	17.25	13.7	0	17.3
								...			



# Universal Serial Bus (USB) Digital-to-Analog Converter (DAC)

UDA1321

bBASS								BASS USB SIDE (dB)	BASS USB DAC (dB)		
B7	B6	B5	B4	B3	B2	B1	B0		minimum	flat	maximum
0	1	0	0	1	1	0	1	19.25	13.7	0	19.2
								...			
0	0	1	1	1	0	1	1	21.25	13.7	0	21.2
								...			
0	1	0	1	0	1	0	1	23.25	13.7	0	23.2
								...			
0	1	1	0	0	1	0	1	25.25	13.7	0	23.2
								...			
0	1	1	0	1	1	0	1	27.25	13.7	0	23.2
								...			
0	1	1	1	0	1	0	1	29.25	13.7	0	23.2
								...			
0	1	1	1	1	1	0	1	31.25	13.7	0	23.2
								...			
0	1	1	1	1	1	1	1	31.75	13.7	0	23.2

## DYNAMIC BASS BOOST CONTROL

Bass boost is one of the sound features as defined in the "USB Device Class Definition for Audio Devices".

The bass boost control request data **bBassBoost** controls the position of the bass boost switch. The position can be either on or off. When **bBassBoost** is true the bass boost is activated. When **bBassBoost** is false the bass boost is off.

When clipping prevention is active, the bass is reduced to avoid clipping with high volume settings. Bass boost is selectable via the configuration map (see Table 6).

If byte 19H is loaded with 00H, bass boost is not reported to the USB host by the device.

## Clipping prevention

If the maximum of the bass plus volume gives clipping, the Bass is reduced. Clipping prevention is selectable via the configuration map.

## De-emphasis

De-emphasis is one of the properties which is not supported by the USB. De-emphasis for 44.1 kHz can be predefined in the configuration map selected at start-up of the UDA1321.

Universal Serial Bus (USB)  
Digital-to-Analog Converter (DAC)

UDA1321

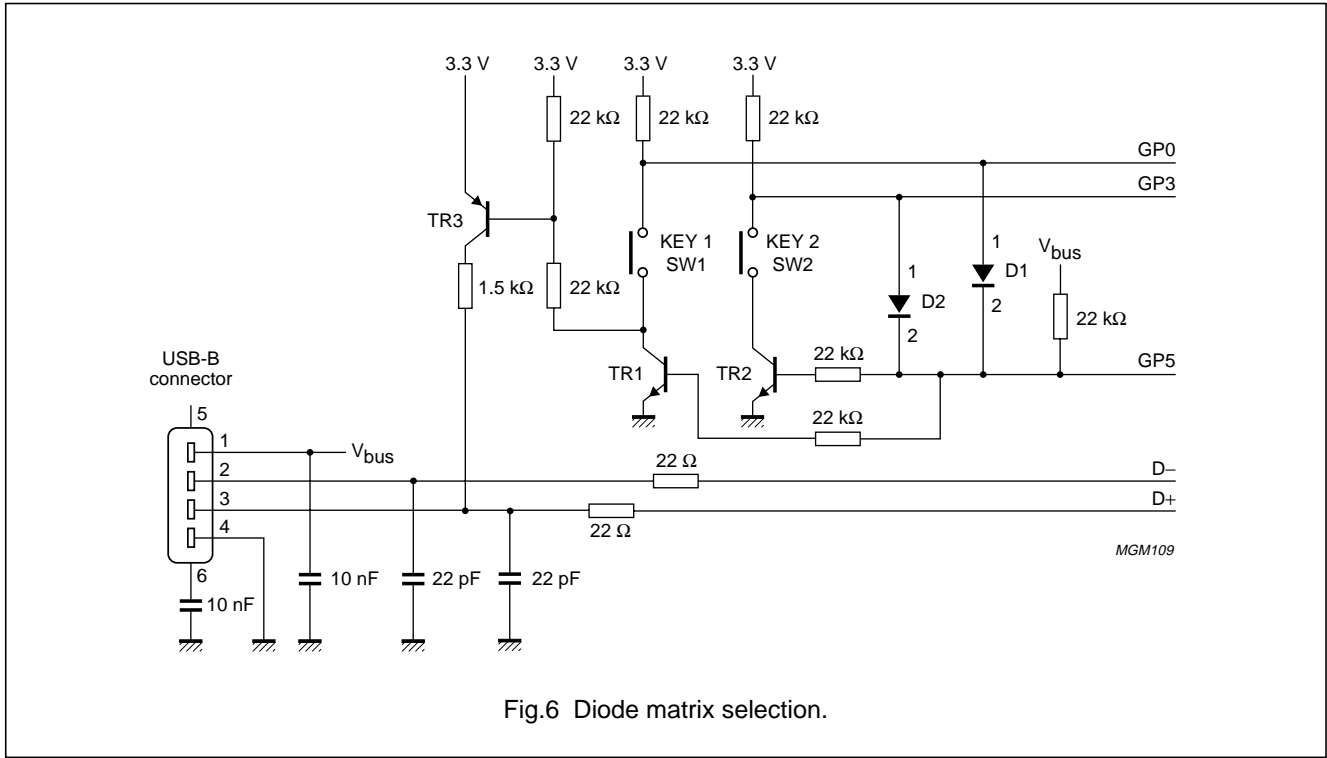


Fig.6 Diode matrix selection.

**Start-up and configuration of the UDA1321**

START-UP OF THE UDA1321

After power-on, an internal power-on reset signal becomes HIGH after a certain RC-time ( $R = 5\text{ k}\Omega$  and  $C = C_{ref}$ ). During 10 ms after power-on reset the UDA1321 has to initiate the internal settings. After the power-on reset the UDA1321 becomes master of the I<sup>2</sup>C-bus. The UDA1321 tries to read the eventually connected EEPROM and if an EEPROM is detected, the internal descriptors are overwritten and the selected port configuration is applied. If no EEPROM is detected, the UDA1321 tries to read the logical levels of GP3 and GP0. A choice can be made from four configuration maps via these two pins.

CONFIGURATION SELECTION OF THE UDA1321 VIA A DIODE MATRIX

The UDA1321 uses a configuration map to hold a number of specific configurable data on hardware, product, component and USB configuration level. At start-up without EEPROM, the UDA1321 will scan the logical levels of GP3 and GP0. With these two pins it is possible to select one of the four possible (vendor specific) configuration maps. This selection can be achieved via a diode matrix (see Fig.6).

After selecting a configuration map the user cannot change the chosen settings for the GP pins, internal configuration, descriptors, etc.

For more information about the four (vendor specific) configuration maps and the diode matrix see the application documentation.

CONFIGURATION OPTIONS OF THE UDA1321 VIA AN I<sup>2</sup>C-BUS EEPROM

If an EEPROM is detected (reading byte 0 as AAH and byte 1 as 55H), the UDA1321 will use the configuration map in the EEPROM instead of one of four configuration maps. The layout of the configuration map is fixed, the values (except bytes 0 and 1) are user definable (see Table 6). If the user wants to change these values (the manufacturers name for instance), this can be achieved via the EEPROM code.

The communication between the UDA1321 and the external I<sup>2</sup>C-bus device is based on the standard I<sup>2</sup>C-bus protocol given in the Philips specification "The I<sup>2</sup>C-bus and how to use it (including specifications)", which can be ordered using the code 9398 393 40011. The I<sup>2</sup>C-bus has two lines: a clock line SCL and a serial data line SDA (see Fig.7).

Universal Serial Bus (USB)  
Digital-to-Analog Converter (DAC)

UDA1321

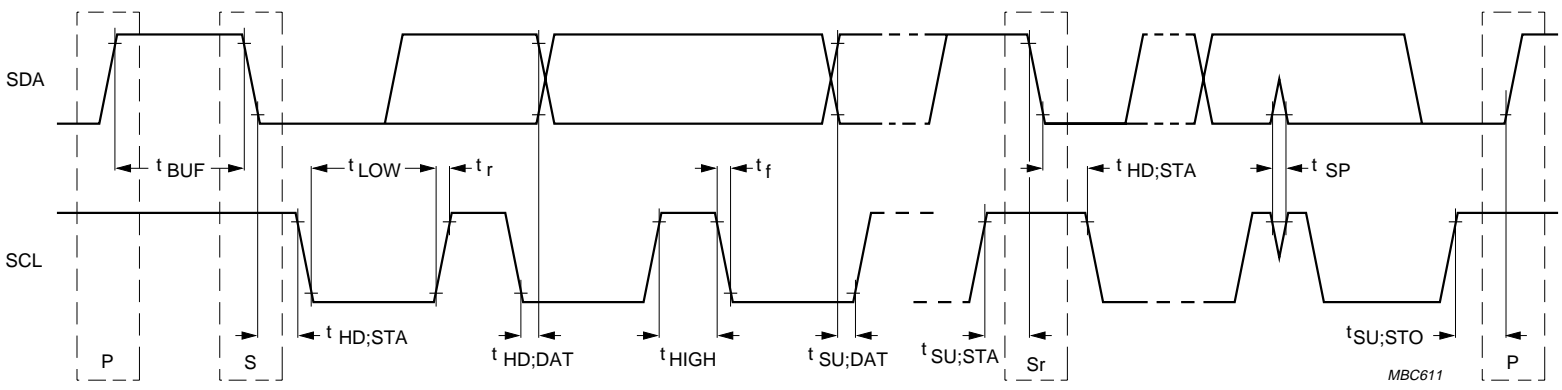


Fig.7 Definition of timing of the I<sup>2</sup>C-bus.

## Universal Serial Bus (USB) Digital-to-Analog Converter (DAC)

UDA1321

**Table 6** Control options for the UDA1321 via the EEPROM configuration map; note 1

BYTE (HEX)	REGISTER NAME	COMMENTS	BIT	VALUE
0	–	recognition pattern; do not change it		AAH
1	–	recognition pattern; do not change it		55H
2	ASR control register	robust word clock	7	0 = off 1 = on
		serial I <sup>2</sup> S-bus output format	6 and 5	00 = I <sup>2</sup> S-bus 01 = 16-bit LSB 10 = 18-bit LSB 11 = 20-bit LSB
		phase inversion	4	0 = mono phase inversion off 1 = mono phase inversion on
		bits per sample modi	3 and 2	00 = reserved 01 = 8-bit audio 10 = 16-bit audio 11 = 24-bit audio
		audio mode	1	0 = mono 1 = stereo
		ASR register start-up mode	0	0 = stop 1 = go
3	ADAC mode register 0	selection ADAC mode register	7	0
		audio feature mode	6 and 5	00 = flat 01 = minimum 10 = minimum 11 = maximum
		de-emphasis	4	0 = de-emphasis off 1 = de-emphasis on
		channel manipulation	3	0 = L ⇒ L, R ⇒ R 1 = L ⇒ R, R ⇒ L
		synchronous/asynchronous control	2	0 = asynchronous 1 = synchronous
		mute control	1	0 = no mute 1 = mute active
		reset ADAC	0	0 = no reset ADAC 1 = reset ADAC

Universal Serial Bus (USB)  
Digital-to-Analog Converter (DAC)

UDA1321

BYTE (HEX)	REGISTER NAME	COMMENTS	BIT	VALUE
4	ADAC mode register 1	selection ADAC mode register	7	1
		digital PLL lock speed	6 and 5	00 = lock after 512 samples 01 = lock after 2048 samples 10 = lock after 4096 samples 11 = lock after 16384 samples
		digital PLL lock mode	4	0 = adaptive 1 = fixed
		digital PLL mode	3 and 2	00 = adaptive 01 = fixed state 1 10 = fixed state 2 11 = fixed state 3
		serial I <sup>2</sup> S-bus input format	1 and 0	00 = I <sup>2</sup> S-bus 01 = 16-bit LSB 10 = 18-bit LSB 11 = 20-bit LSB
5	I/O selection register	clipping	7	0 = clipping prevention off 1 = clipping prevention on
		I <sup>2</sup> S-bus usage	6	0 = no I <sup>2</sup> S-bus used 1 = I <sup>2</sup> S-bus used
		4/6 pins I <sup>2</sup> S-bus (see Section "The general purpose pins (GP0 to GP5)")	5	only if I <sup>2</sup> S-bus is used; 0 = 4 pins I <sup>2</sup> S-bus 1 = 6 pins I <sup>2</sup> S-bus
		GP4	4	0 = function 1 1 = function 2 (see Tables 7, 8 and 9)
		GP3	3	
		GP2	2	
		GP1	1	
		GP0	0	
6		GP0 Usage Page if HID selected		
7		GP0 Usage if HID selected		
8		reserved		
9		reserved		
A		GP3 Usage Page if HID selected		
B		GP3 Usage if HID selected		
C		reserved		
D		reserved		
E		GP4 Usage Page if HID selected		
F		GP4 Usage if HID selected		
10		reserved		

## Universal Serial Bus (USB) Digital-to-Analog Converter (DAC)

UDA1321

BYTE (HEX)	REGISTER NAME	COMMENTS	BIT	VALUE
11	GP1 and GP2 outputs definition register	reserved	7	
		reserved	6	
		application GP2 function 2	5	0 = HID output 2 1 = LED output 2 (activated when DBB is active)
		application GP1 function 2	4	0 = HID output 1 1 = LED output 1 (activated when mute is active)
		polarity GP2 function 1	3	normal or inversed output functionality: 0 = according Table 7 1 = inversed
		polarity GP1 function 1	2	
		polarity GP2 function 2	1	
		polarity GP1 function 2	0	
12		GP1 Usage Page if HID selected		
13		GP1 Usage if HID selected		
14		GP2 Usage Page if HID selected		
15		GP2 Usage if HID selected		
16		time between releasing standby and enabling the audio output; steps of 20 ms		
17		time between 'no isochronous data present' and activating the mute output; steps of 1 s (only applicable for function 1, no digital I/O communication)		
18		time between activating the mute output and activating the standby output; steps of 5 s (only applicable for function 1, no digital I/O communication); when filled-in with zero, standby will not be activated		
19		default bass boost value on top of Bass USB DAC for Dynamic Bass Boost (DBB); see Table 5		bass boost = register value; if bass boost + Bass USB DAC is larger then the maximum value of Table 5, the maximum value is used (no bass boost in flat mode)
1A		default volume value of USB DAC		volume = -register value
1B		<b>idVendor</b> high byte		
1C		<b>idVendor</b> low byte		
1D		<b>idProduct</b> high byte		
1E		<b>idProduct</b> low byte		
1F		<b>bmAttributes</b>		
20		maximum power steps of 2 mA with maximum 500 mA		

## Universal Serial Bus (USB) Digital-to-Analog Converter (DAC)

UDA1321

BYTE (HEX)	REGISTER NAME	COMMENTS	BIT	VALUE
21		<b>wTerminalType</b> high byte		
22		<b>wTerminalType</b> low byte		
23				
24				
25		pointer language string		32
26		pointer manufacturer string		36
27		pointer product string		46
28		pointer serial number		54
32 ⇒		language string		
36 ⇒	–	manufacturer string		
46 ⇒	–	product string		
54 ⇒	–	serial number; note 2		

### Notes

1. An extensive description of the USB control options is available in the “*USB Device Class Definition for Audio Devices*”.
2. The serial number is only supported in the external configuration map and not in the four internal configuration maps.

### The general purpose pins (GP0 to GP5)

The UDA1321 has 6 General Purpose (GP) pins; these are pins GP0 to GP5. These can be used either for digital I/O functions or for general purposes. The configurations presented are as implemented in the standard firmware.

There are basically three port configurations:

- No digital I/O communication
- 4-pins digital I/O communication
- 6-pins digital I/O communication.

These port configurations can be selected via the configuration map at start-up of the UDA1321.

The user can make a selection between two functions for each of the pins GP0 to GP4 (see byte 5 in Table 6), except if digital I/O communication is selected (see Tables 7, 8 and 9).

# Universal Serial Bus (USB) Digital-to-Analog Converter (DAC)

UDA1321

**Table 7** No digital I/O communication

PIN	INPUT/OUTPUT	FUNCTION 1	FUNCTION 2
GP5	output; not programmable; note 2	connect/disconnect	connect/disconnect
GP4	inputs; programmable; note 1	alarm mute; note 3	HID input 3
GP3		HID input 2	HID input 2
GP0		HID input 1	HID input 1
GP2	outputs; programmable	standby; note 4	HID/LED output 2; note 6
GP1		mute; note 5	HID/LED output 1; note 6

**Notes**

1. The input pins must have a pull-up resistor.
2. Connect/disconnect: holds the USB 'disconnected' as long as the initialization is not finished.
3. Alarm mute: input to switch the sound off; specially used if the USB host program does not respond to the control. This pin acts directly on the sound and passes the mute to the USB host.
4. Standby is switched on (output becomes LOW) after a programmable time if mute is active (see Byte 18 of Table 6).
5. Mute is switched on (output becomes LOW) after a programmable time if the isochronous data flow is interrupted (see Byte 17 of Table 6).
6. For selection between HID/LED application see configuration map byte 11 (output is active HIGH).

**Table 8** 4-pins digital I/O communication

PIN	INPUT/OUTPUT	FUNCTION 1	FUNCTION 2
GP5	output; not programmable; note 1	connect/disconnect	connect/disconnect
GP4	digital I/O-bus	BCKO	BCKO
GP3		WSO	WSO
GP2		DO	DO
GP1		DI	DI
GP0	input; programmable	HID input 1	alarm mute; note 2

**Notes**

1. Connect/disconnect: holds the USB 'disconnected' as long as the initialization is not finished.
2. Alarm mute: input to switch the sound off; specially used if the USB host program does not respond to the control. This pin acts directly on the sound and passes the mute to the USB host.



# Universal Serial Bus (USB) Digital-to-Analog Converter (DAC)

UDA1321

**Table 9** 6-pins digital I/O communication

PIN	INPUT/OUTPUT	FUNCTION
GP5	digital I/O-bus	WSI
GP4		BCKO
GP3		WSO
GP2		DO
GP1		DI
GP0		BCKI

**Filter characteristics**

The overall filter characteristic of the UDA1321 in flat mode is given in Fig.8. The overall filter characteristic of the UDA1321 includes the filter characteristics of the DSP in flat mode plus the filter characteristic of the FSDAC ( $f_s = 44.1$  kHz).

**DSP extension port**

An external DSP can be used for adding extra sound processing features via the digital I/O-bus. The UDA1321 supports the standard I<sup>2</sup>S-bus data protocol and the LSB-justified serial data input format with word lengths of 16, 18 and 20 bits. Using the 4-pins digital I/O-bus the UDA1321 device acts as a master, controlling the BCK and WS signals. The period of the WS signal is determined by the number of samples in the 1 ms frame of the USB. This implies that the WS signal does not have a constant period time, but is jittery. Using the 6-pins digital I/O-bus GP2, GP3 and GP4 are the output pins (master) and GP0, GP1 and GP5 are the input pins (slave).

For characteristic timing of the I<sup>2</sup>S-bus input interface see Figs 9 and 10.

Universal Serial Bus (USB)  
Digital-to-Analog Converter (DAC)

UDA1321

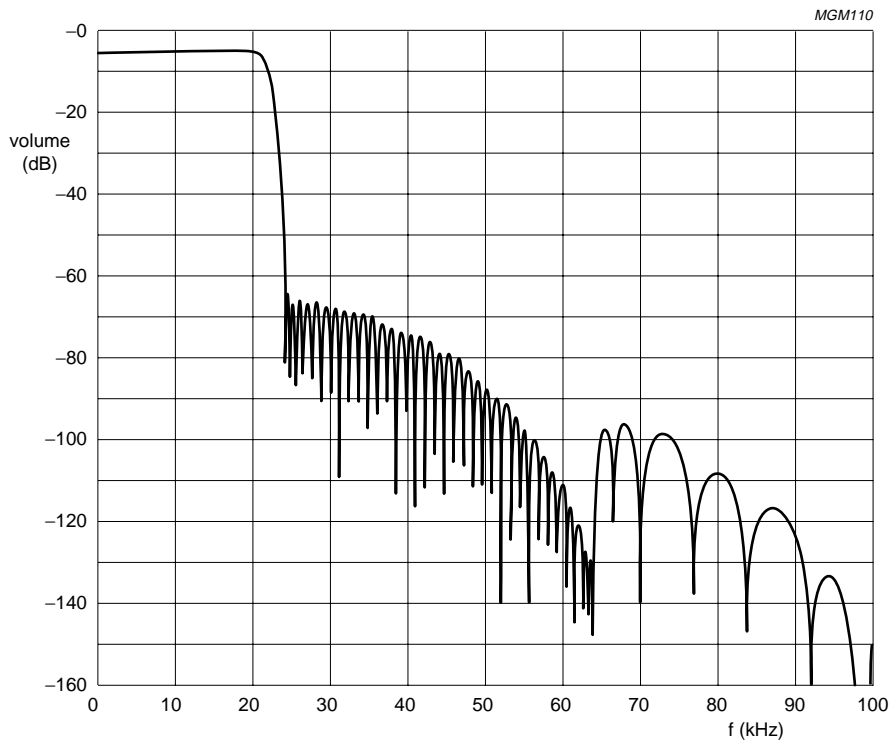


Fig.8 Overall filter characteristics of the UDA1321.

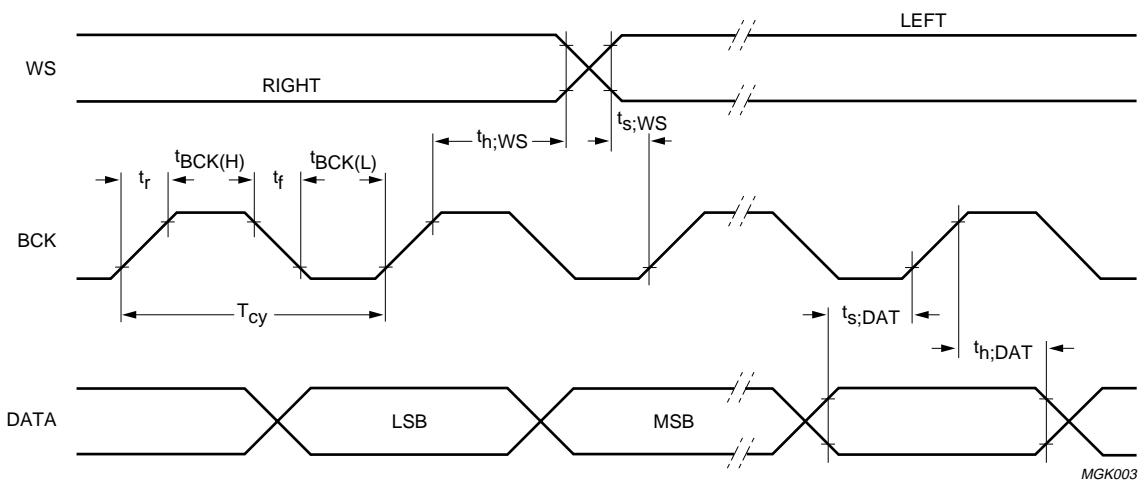


Fig.9 Timing of digital I/O input signals.

Universal Serial Bus (USB)  
Digital-to-Analog Converter (DAC)

UDA1321

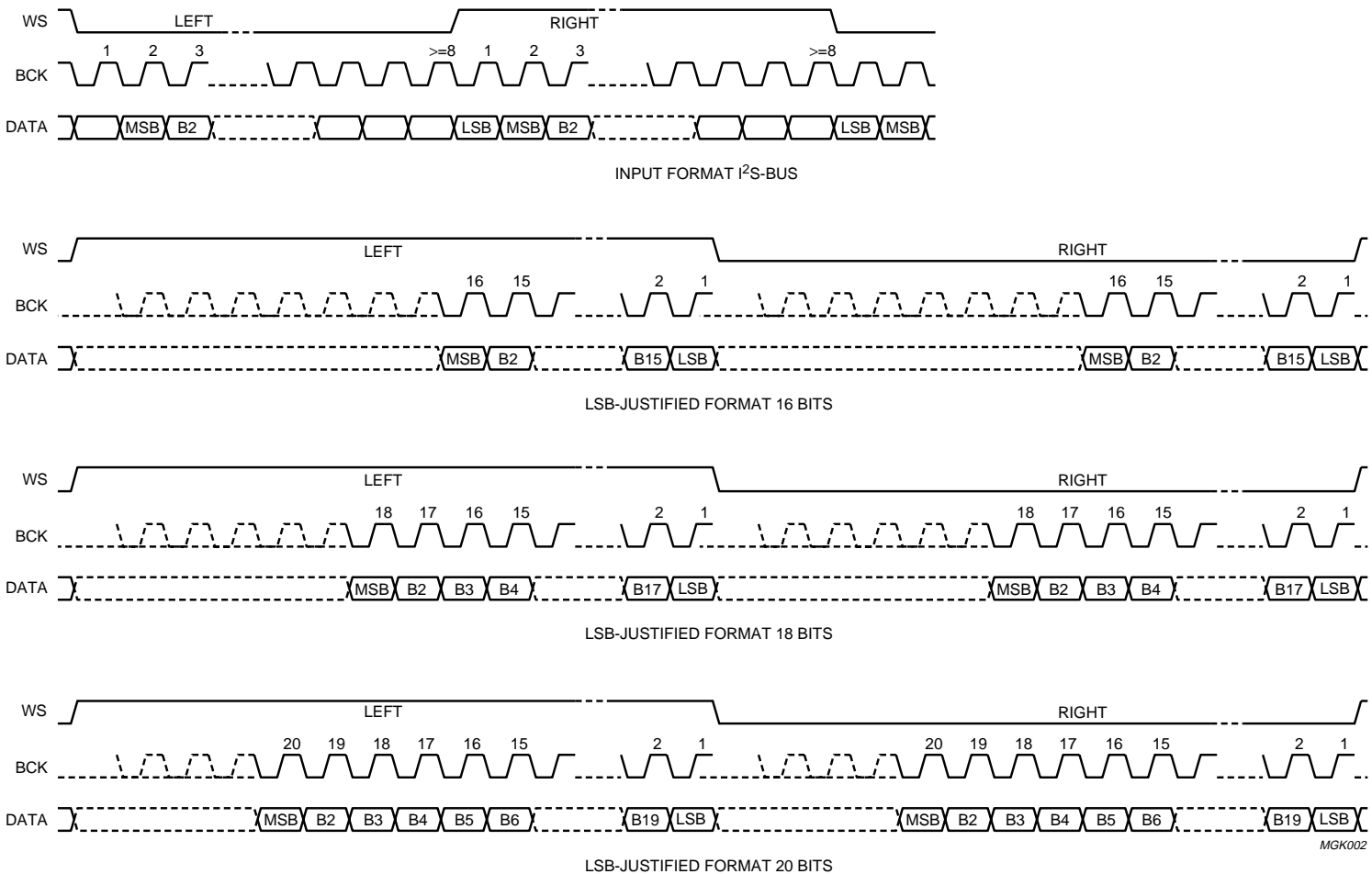


Fig.10 Input formats.

# Universal Serial Bus (USB) Digital-to-Analog Converter (DAC)

UDA1321

**LIMITING VALUES**

In accordance with the Absolute Maximum Rating System (IEC 134).

SYMBOL	PARAMETER	CONDITIONS	MIN.	TYP.	MAX.	UNIT
<b>All digital I/Os</b>						
V <sub>I/O</sub>	DC input/output voltage range		-0.5	-	V <sub>DD</sub>	V
I <sub>o</sub>	output current		-	-	4	mA
<b>Temperature</b>						
T <sub>j</sub>	junction temperature		0	-	125	°C
T <sub>stg</sub>	storage temperature		-55	-	+150	°C
T <sub>amb</sub>	operating ambient temperature		0	25	70	°C
<b>Electrostatic handling</b>						
V <sub>es</sub>	electrostatic handling	note 1	-3000	-	+3000	V
		note 2	-300	-	+300	V

**Notes**

- Equivalent to discharging a 100 pF capacitor through a 1.5 kΩ series resistor.
- Equivalent to discharging a 200 pF capacitor through a 2.5 μH series inductor and a 25 Ω resistor.  
For pin V<sub>DDO</sub> the electrostatic handling is limited to 250 V.

**THERMAL CHARACTERISTICS**

SYMBOL	PARAMETER	CONDITIONS	VALUE	UNIT
R <sub>th(j-a)</sub>	thermal resistance from junction to ambient	in free air		
	QFP64		48	K/W
	SDIP32		57	K/W
	SO28		65	K/W

# Universal Serial Bus (USB) Digital-to-Analog Converter (DAC)

UDA1321

## RECOMMENDED OPERATING CONDITIONS

SYMBOL	PARAMETER	MIN.	TYP.	MAX.	UNIT
$V_{DD}$	supply voltage	3.0	3.3	3.6	V
$V_I$	DC input voltage for D+ and D-	0.0	–	$V_{DD}$	V
$V_{I/O}$	DC input voltage for the digital I/Os	0.0	–	$V_{DD}$	V

## DC CHARACTERISTICS

$V_{DD} = 3.3\text{ V}$ ;  $V_{SS} = 0\text{ V}$ ;  $T_{amb} = 25\text{ °C}$ ;  $f_{osc} = 48\text{ MHz}$ ;  $f_s = 44.1\text{ kHz}$ ; unless otherwise specified.

SYMBOL	PARAMETER	CONDITIONS	MIN.	TYP.	MAX.	UNIT
<b>Supplies</b>						
$V_{DDE}$	digital supply voltage I/O pins		3.0	3.3	3.6	V
$V_{DDI}$	digital supply voltage core		3.0	3.3	3.6	V
$V_{DDA}$	analog supply voltage		3.0	3.3	3.6	V
$V_{DDO}$	operational amplifier supply voltage		3.0	3.3	3.6	V
$V_{DDX}$	crystal oscillator supply voltage		3.0	3.3	3.6	V
$I_{DDE}$	digital supply current I/O pins	note 1	–	3	–	mA
$I_{DDI}$	digital supply current core		–	36	–	mA
$I_{DDA}$	analog supply current		–	4.2	–	mA
$I_{DDO}$	operational amplifier supply current		–	4.0	–	mA
$I_{DDX}$	crystal oscillator supply current		–	2.1	15.0 <sup>(2)</sup>	mA
$P_{tot}$	total power dissipation		–	165	–	mW
$P_{tot(ps)}$	total power dissipation in power-save mode	note 3	–	60	–	mW
<b>Inputs/outputs D+ and D-</b>						
$V_I$	static DC input voltage		–0.5	–	$V_{DDI}$	V
$V_{OH}$	static DC output voltage HIGH	$R_L = 15\text{ k}\Omega$ to ground	2.8	–	$V_{DDI}$	V
$V_{OL}$	static DC output voltage LOW	$R_L = 1.5\text{ k}\Omega$ to 3.6 V	–	–	0.3	V
$ I_{LO} $	high impedance state data line output leakage current		–	–	10	$\mu\text{A}$
$\Delta V_{I(dif)}$	differential input sensitivity		0.2	–	–	V
$V_{CM(dif)}$	differential common mode voltage		0.8	–	2.5	V
$V_{SE(RX)th}$	single-ended receiver threshold voltage		0.8	–	2.0	V
$C_{I(TRX)}$	transceiver input capacitance	pin to ground	–	–	20	pF
<b>Digital inputs/outputs</b>						
$V_{IL}$	LOW-level input voltage		–	–	$0.3V_{DDI}$	V
$V_{IH}$	HIGH-level input voltage		$0.7V_{DDI}$	–	$V_{DDI}$	V
$V_{OL}$	LOW-level output voltage		–	–	0.4	V
$V_{OH}$	HIGH-level output voltage		$V_{DDI} - 0.4$	–	–	V
$ I_{LI} $	input leakage current		–	–	1	$\mu\text{A}$
$C_i$	input capacitance	pin to ground	–	–	5	pF

# Universal Serial Bus (USB) Digital-to-Analog Converter (DAC)

UDA1321

SYMBOL	PARAMETER	CONDITIONS	MIN.	TYP.	MAX.	UNIT
<b>Filter stream DAC</b>						
$V_{ref}$	reference voltage		–	$0.5V_{DDA}$	–	V
$V_{o(cm)}$	common mode output voltage		–	$0.5V_{DDA}$	–	V
$R_o$	output resistance at pins VOUTL and VOUTR		–	11	–	$\Omega$
$R_{o(L)}$	output load resistance		2.0	–	–	$k\Omega$
$C_{o(L)}$	output load capacitance		–	–	50	pF

**Notes**

1. This value depends strongly on the application. The specified value is the typical value obtained using the application as given in Fig.12.
2. At start-up of the oscillator.
3. The power-save mode (power management) is not supported in the UDA1321/N101; see Chapter “USB-DAC UDA1321/N101 (Firmware sw 2.1.1.7)”.

# Universal Serial Bus (USB) Digital-to-Analog Converter (DAC)

UDA1321

**AC CHARACTERISTICS**
 $V_{DD} = 3.3\text{ V}$ ;  $V_{SS} = 0\text{ V}$ ;  $T_{amb} = 25\text{ }^{\circ}\text{C}$ ;  $f_{osc} = 48\text{ MHz}$ ;  $f_s = 44.1\text{ kHz}$ ; unless otherwise specified.

SYMBOL	PARAMETER	CONDITIONS	MIN.	TYP.	MAX.	UNIT
<b>Driver characteristics D+ and D- (full-speed mode)</b>						
$t_r$	rise time	$C_L = 50\text{ pF}$	4	–	20	ns
$t_f$	fall time	$C_L = 50\text{ pF}$	4	–	20	ns
$t_{rf(m)}$	matching rise/fall time ( $t_r/t_f$ )		90	–	110	%
$V_{cr}$	output signal crossover voltage		1.3	–	2.0	V
$R_{(o)driver}$	driver output resistance	steady-state drive	28	–	43	$\Omega$
<b>Data source timings D+ and D- (full-speed mode)</b>						
$f_{i(sample)}$	audio sample input frequency		5	–	55	kHz
$f_{fs(D)}$	full-speed data rate		11.97	12.00	12.03	Mbits/s
$t_{fr}$	frame interval		0.9995	1.0000	1.0005	ms
$t_{J1(dif)}$	source differential jitter to next transition		–3.5	0.0	+3.5	ns
$t_{J2(dif)}$	source differential jitter for paired transitions		–4.0	0.0	+4.0	ns
$t_{W(EOP)}$	source End Of Packet (EOP) width		160	–	175	ns
$t_{EOP(dif)}$	differential to EOP transition skew		–2.0	–	+5.0	ns
$t_{JR1}$	receiver data jitter tolerance to next transition		–18.5	0.0	+18.5	ns
$t_{JR2}$	receiver data jitter tolerance for paired transitions		–9.0	0.0	+9.0	ns
$t_{EOPR1}$	EOP width at receiver must reject as EOP		40	–	–	ns
$t_{EOPR2}$	EOP width at receiver must accept as EOP		82	–	–	ns
<b>Serial input/output data timing; see Fig.9</b>						
$f_{clk(sys)}$	system clock frequency		–	12	–	MHz
$f_{i(WS)}$	word select input frequency		5	–	55	kHz
$t_r$	rise time		–	–	20	ns
$t_f$	fall time		–	–	20	ns
$t_{BCK(H)}$	bit clock HIGH time		55	–	–	ns
$t_{BCK(L)}$	bit clock LOW time		55	–	–	ns
$t_{s;DAT}$	data set-up time		10	–	–	ns
$t_{h;DAT}$	data hold time		20	–	–	ns
$t_{s;WS}$	word select set-up time		20	–	–	ns
$t_{h;WS}$	word select hold time		10	–	–	ns

# Universal Serial Bus (USB) Digital-to-Analog Converter (DAC)

UDA1321

SYMBOL	PARAMETER	CONDITIONS	MIN.	TYP.	MAX.	UNIT
<b>SDA and SCL lines (standard I<sup>2</sup>C-bus); see Fig.7</b>						
f <sub>SCL</sub>	SCL clock frequency		0	–	100	kHz
t <sub>BUF</sub>	bus free time between a STOP and START condition		4.7	–	–	μs
t <sub>HD;STA</sub>	hold time (repeated) START condition		4.0	–	–	μs
t <sub>LOW</sub>	SCL LOW time		4.7	–	–	μs
t <sub>HIGH</sub>	SCL HIGH time		4.0	–	–	μs
t <sub>SU;STA</sub>	set-up time for a repeated START condition		4.7	–	–	μs
t <sub>SU;STO</sub>	set-up time for a STOP condition		4.0	–	–	μs
t <sub>HD;DAT</sub>	data hold time		5.0	–	0.9	μs
t <sub>SU;DAT</sub>	data set-up time		250	–	–	ns
t <sub>r</sub>	rise time of both SDA and SCL signals		–	–	1000	ns
t <sub>f</sub>	fall time of both SDA and SCL signals		–	–	300	ns
C <sub>L(bus)</sub>	load capacitance for each bus line		–	–	400	pF
<b>Oscillator; note 1</b>						
f <sub>osc</sub>	oscillator frequency		–	48	–	MHz
δ	duty factor		–	50	–	%
g <sub>m</sub>	transconductance		13.5	23.0	30.5	mS
R <sub>o</sub>	output resistance		450	700	1450	Ω
C <sub>i(XTAL1)</sub>	parasitic input capacitance at XTAL1		10	11	12	pF
C <sub>i(XTAL2)</sub>	parasitic input capacitance at XTAL2		4.5	5.0	5.5	pF
I <sub>start</sub>	start current		4.3	8.8	15.0	mA
<b>Power-on reset</b>						
t <sub>su(POR)</sub>	power-on reset set-up time	notes 2 and 3	5C <sub>ref</sub>	–	–	ms
<b>Filter Stream DAC (FSDAC)</b>						
RES	resolution		16	–	–	bits
V <sub>o(FS)(rms)</sub>	full-scale output voltage (RMS value)	V <sub>DD</sub> = 3.3 V	–	0.66	–	V
SVRR	supply voltage ripple rejection of V <sub>DDA</sub> and V <sub>DDO</sub>	f <sub>ripple</sub> = 1 kHz; V <sub>ripple(p-p)</sub> = 0.1 V	–	60	–	dB
ΔV <sub>o</sub>	channel unbalance	maximum volume	–	0.03	–	dB
α <sub>ct</sub>	crosstalk between channels	R <sub>L</sub> = 5 kΩ	–	95	–	dB



# Universal Serial Bus (USB) Digital-to-Analog Converter (DAC)

UDA1321

SYMBOL	PARAMETER	CONDITIONS	MIN.	TYP.	MAX.	UNIT
(THD + N)/S	total harmonic distortion-plus-noise to signal ratio	$f_s = 44.1 \text{ kHz};$ $R_L = 5 \text{ k}\Omega$				
		at input signal of 1 kHz (0 dB)	–	–90 <sup>(4)</sup>	–80	dB
			–	0.0032	0.01	%
		at input signal of 1 kHz (–60 dB)	–	–30 <sup>(4)</sup>	–20	dB
			–	3.2	10	%
S/N <sub>bz</sub>	signal-to-noise ratio at bipolar zero	A-weighted at code 0000H	90	95	–	dBa

**Notes**

1. A 3rd overtone crystal of 48 MHz must be used in combination with a filter connected to the oscillator output (XTAL2), ( $L = 1.5 \mu\text{H} \pm 10\%$ ;  $C = 10 \text{ nF} \pm 10\%$ ). The series resistance of the crystal must be below  $60 \Omega$ .  $C_{\text{xtal1}} = 4.7 \text{ pF} \pm 10\%$ ;  $C_{\text{xtal2}} = 12 \text{ pF} \pm 10\%$ .
2. Strongly depends on the external decoupling capacitor connected to  $V_{\text{ref}}$ .
3. Use for calculation of the power-on reset set-up time the  $C_{\text{ref}}$  value in  $\mu\text{F}$ .
4. The audio information from the USB interface is fed directly to the ADAC.

**APPLICATION INFORMATION**

The UDA1321 is designed to be used as a self-powered device.

The I<sup>2</sup>C-bus EEPROM is optional and can be used e.g. to program your own Vendor ID and Product ID. In order to help customers with defining their own configuration map, a special program called 'Configuration map editor' has been developed. It is available from your local Philips Semiconductors Field Application Engineer.

More information about the firmware, descriptors and configurations can be obtained from several application notes.

# Universal Serial Bus (USB) Digital-to-Analog Converter (DAC)

UDA1321

## USB-DAC UDA1321/N101 (FIRMWARE SW 2.1.1.7)

The following items are different for the UDA1321/N101 compared to the general content of this data sheet:

- Volume control
- Treble control
- Power management.

**Table 10** Volume control characteristics

wVOLUME								VOLUME USB SIDE (dB)	VOLUME USB DAC (dB)
B15	B14	B13	B12	B11	B10	B9	B8		
0	0	0	0	0	0	0	0	0	0
1	1	1	1	1	1	1	1	0	0
1	1	1	1	1	1	1	0	1	-1
1	1	1	1	1	1	0	1	0	-2
1	1	1	1	1	0	1	1	0	-3
1	1	1	1	1	0	0	1	1	-4
1	1	1	1	1	0	1	0	0	-5
1	1	1	1	1	0	0	0	1	-6
1	1	1	1	1	0	0	0	0	-7
1	1	1	1	0	1	1	1	1	-8
1	1	1	1	0	1	1	0	0	-9
...	...	...	...	...	...	...	...	...	...
1	1	0	0	0	1	0	1	1	-58
1	1	0	0	0	1	0	0	0	-59
1	1	0	0	0	0	1	1	1	-60
1	1	0	0	0	0	1	0	0	-61
1	1	0	0	0	0	0	1	1	-62
...	...	...	...	...	...	...	...	...	...
1	0	0	0	0	0	0	0	0	-∞

The treble control is available for the master channel of the UDA1321. Treble can be regulated in three modes: minimum, flat and maximum mode. The preferred mode is selected via the configuration map. The corner frequency is 3000 Hz for the minimum mode and 1500 Hz for the maximum mode. The treble range is from 0 to 6 dB (discrete steps 0, 4 and 6 dB). It should be noted that the negative treble values as defined in the “USB Device Class Definition for Audio Devices” are not supported by the UDA1321; the 0 dB value is returned as 0 dB. Table 4 gives the mapping of the **bTreble** value upon the actual treble setting of the USB DAC.

# Universal Serial Bus (USB) Digital-to-Analog Converter (DAC)

UDA1321

**Table 11** Treble control characteristics

bTREBLE								TREBLE USB SIDE (dB)	TREBLE USB DAC (dB)		
B7	B6	B5	B4	B3	B2	B1	B0		minimum	flat	maximum
0	0	0	0	0	0	0	0	0.00	0	0	0
0	0	0	0	0	0	0	1	0.25			
0	0	0	0	0	0	1	0	0.50			
0	0	0	0	0	0	1	1	0.75			
0	0	0	0	0	1	0	0	1.00			
0	0	0	0	0	1	0	1	1.25	4	0	4
0	0	0	0	0	1	1	0	1.50			
0	0	0	0	0	1	1	1	1.75			
0	0	0	0	1	0	0	0	2.00			
0	0	0	0	1	0	0	1	2.25			
0	0	0	0	1	0	1	0	2.50			
0	0	0	0	1	0	1	1	2.75			
0	0	0	0	1	1	0	0	3.00			
0	0	0	0	1	1	0	1	3.25	6	0	6
								...			
0	0	0	1	0	1	0	1	5.25	6	0	6
								...			
0	0	0	1	1	1	0	1	7.25	6	0	6
								...			
0	0	1	0	0	1	0	1	9.25	6	0	6
								...			
0	1	1	1	1	1	1	1	31.75	6	0	6

The power saving mode is not supported (no power management).

The content of the four internal configuration maps is written in the 'sw 2.1.1.7 configuration maps' document. This document is available at your local Philips Semiconductors Field Application Engineer.

# Universal Serial Bus (USB) Digital-to-Analog Converter (DAC)

UDA1321

## APPLICATION DIAGRAM

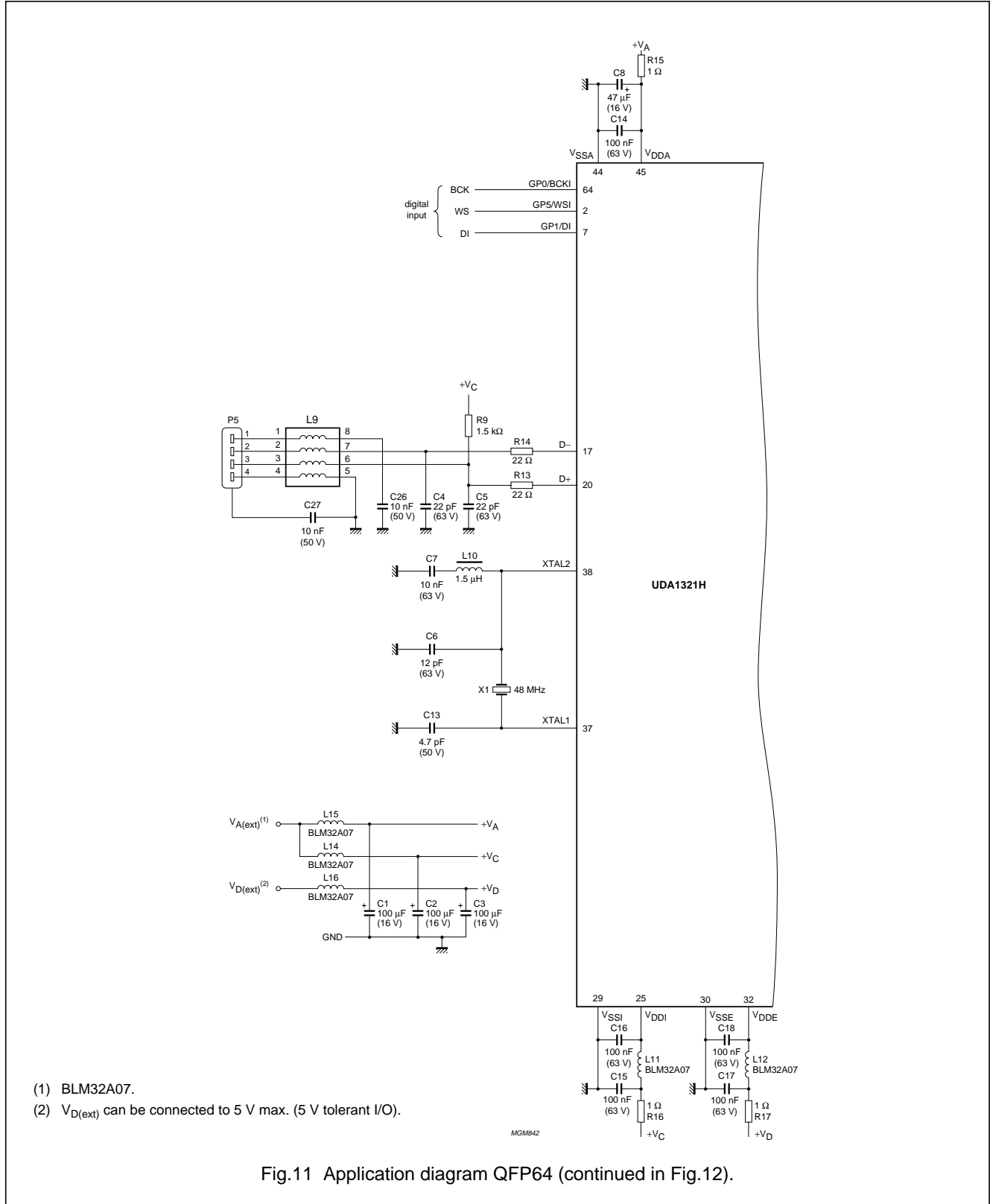


Fig.11 Application diagram QFP64 (continued in Fig.12).

Universal Serial Bus (USB)  
Digital-to-Analog Converter (DAC)

UDA1321

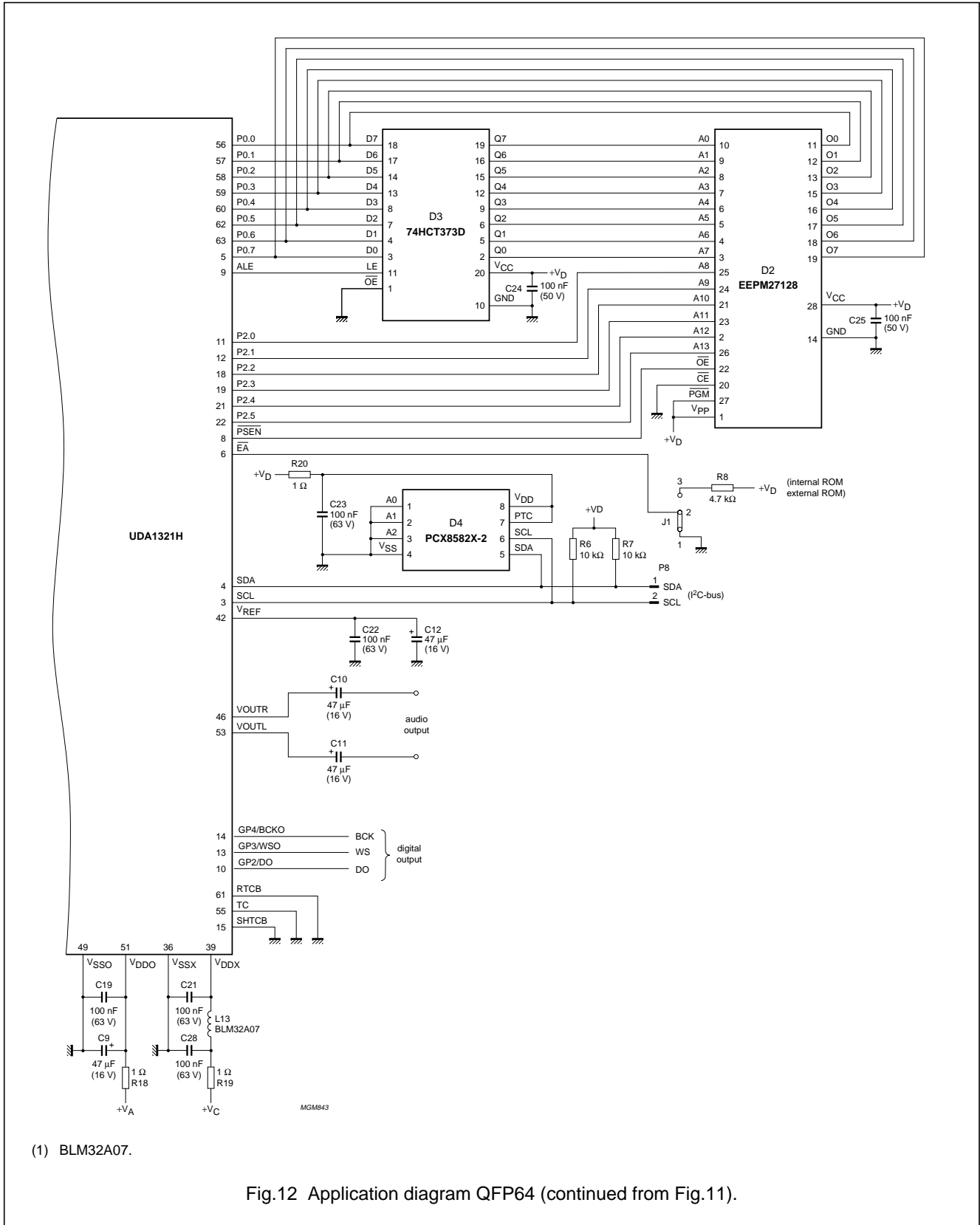
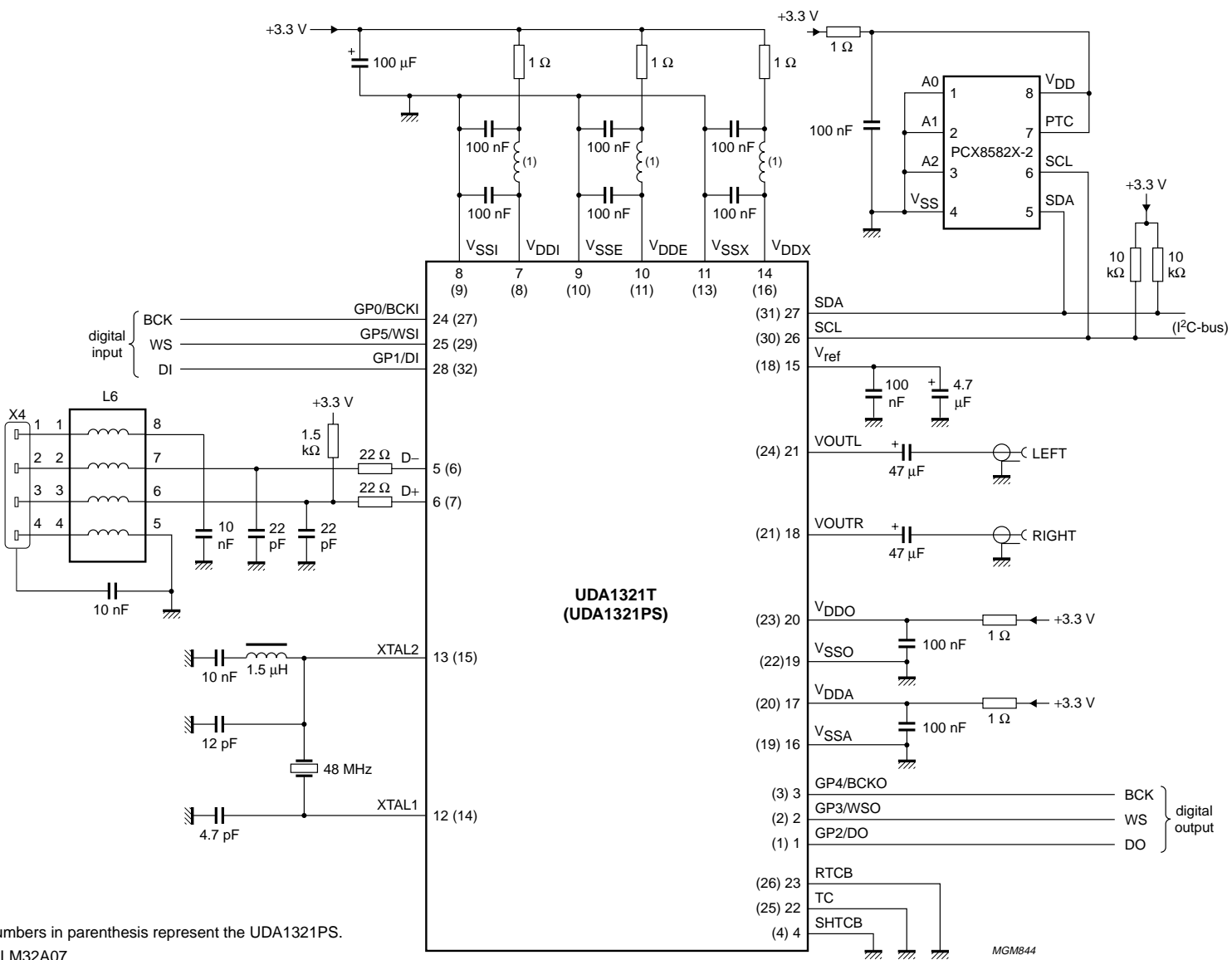


Fig.12 Application diagram QFP64 (continued from Fig.11).

Universal Serial Bus (USB)  
Digital-to-Analog Converter (DAC)

UDA1321



Pin numbers in parenthesis represent the UDA1321PS.  
(1) BLM32A07.

Fig.13 Application diagram SO28 and SDIP32.

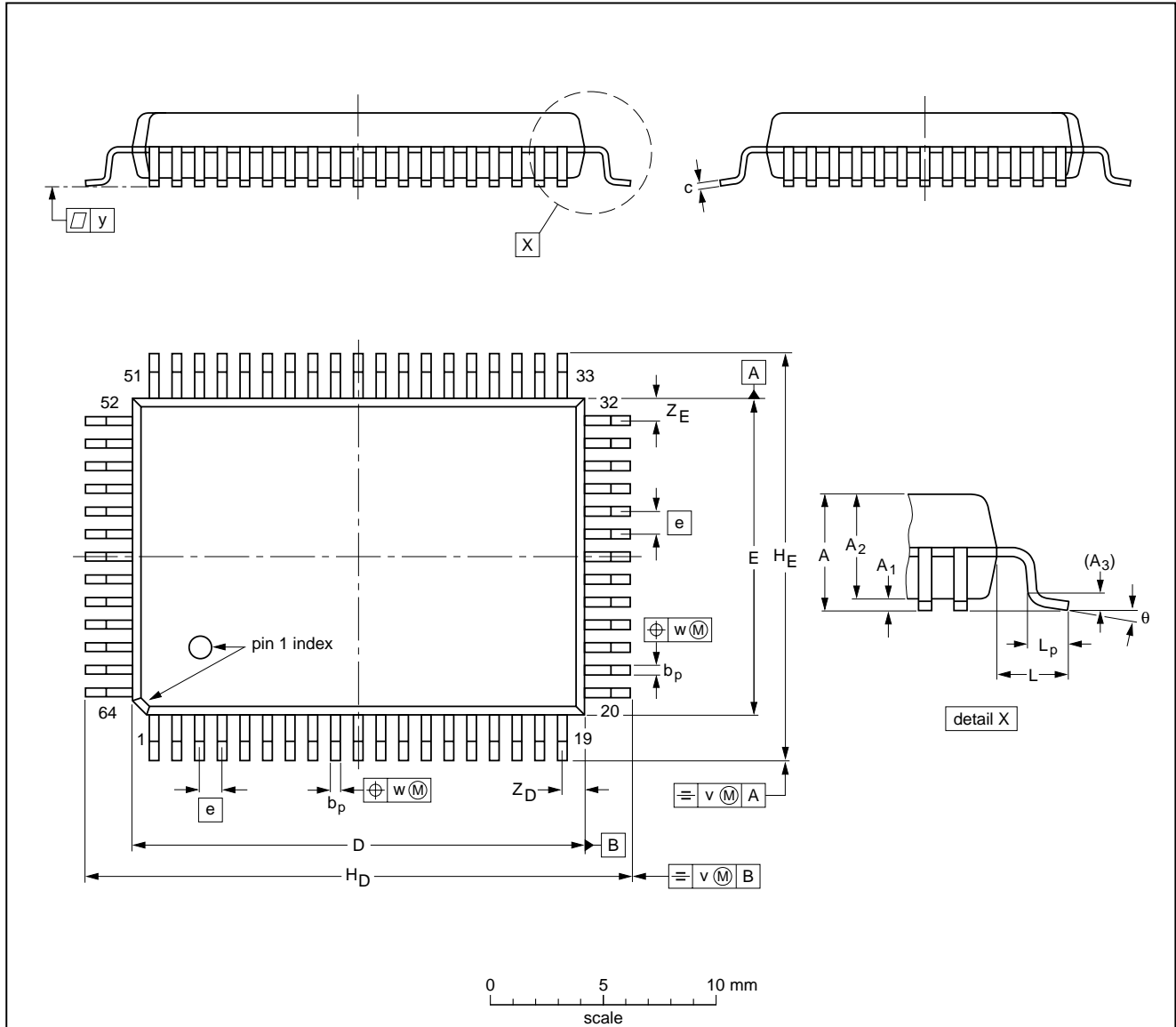
# Universal Serial Bus (USB) Digital-to-Analog Converter (DAC)

UDA1321

## PACKAGE OUTLINES

**QFP64: plastic quad flat package; 64 leads (lead length 1.95 mm); body 14 x 20 x 2.8 mm**

**SOT319-2**



**DIMENSIONS (mm are the original dimensions)**

UNIT	A max.	A <sub>1</sub>	A <sub>2</sub>	A <sub>3</sub>	b <sub>p</sub>	c	D <sup>(1)</sup>	E <sup>(1)</sup>	e	H <sub>D</sub>	H <sub>E</sub>	L	L <sub>p</sub>	v	w	y	Z <sub>D</sub> <sup>(1)</sup>	Z <sub>E</sub> <sup>(1)</sup>	θ
mm	3.20	0.25 0.05	2.90 2.65	0.25	0.50 0.35	0.25 0.14	20.1 19.9	14.1 13.9	1	24.2 23.6	18.2 17.6	1.95	1.0 0.6	0.2	0.2	0.1	1.2 0.8	1.2 0.8	7° 0°

**Note**

1. Plastic or metal protrusions of 0.25 mm maximum per side are not included.

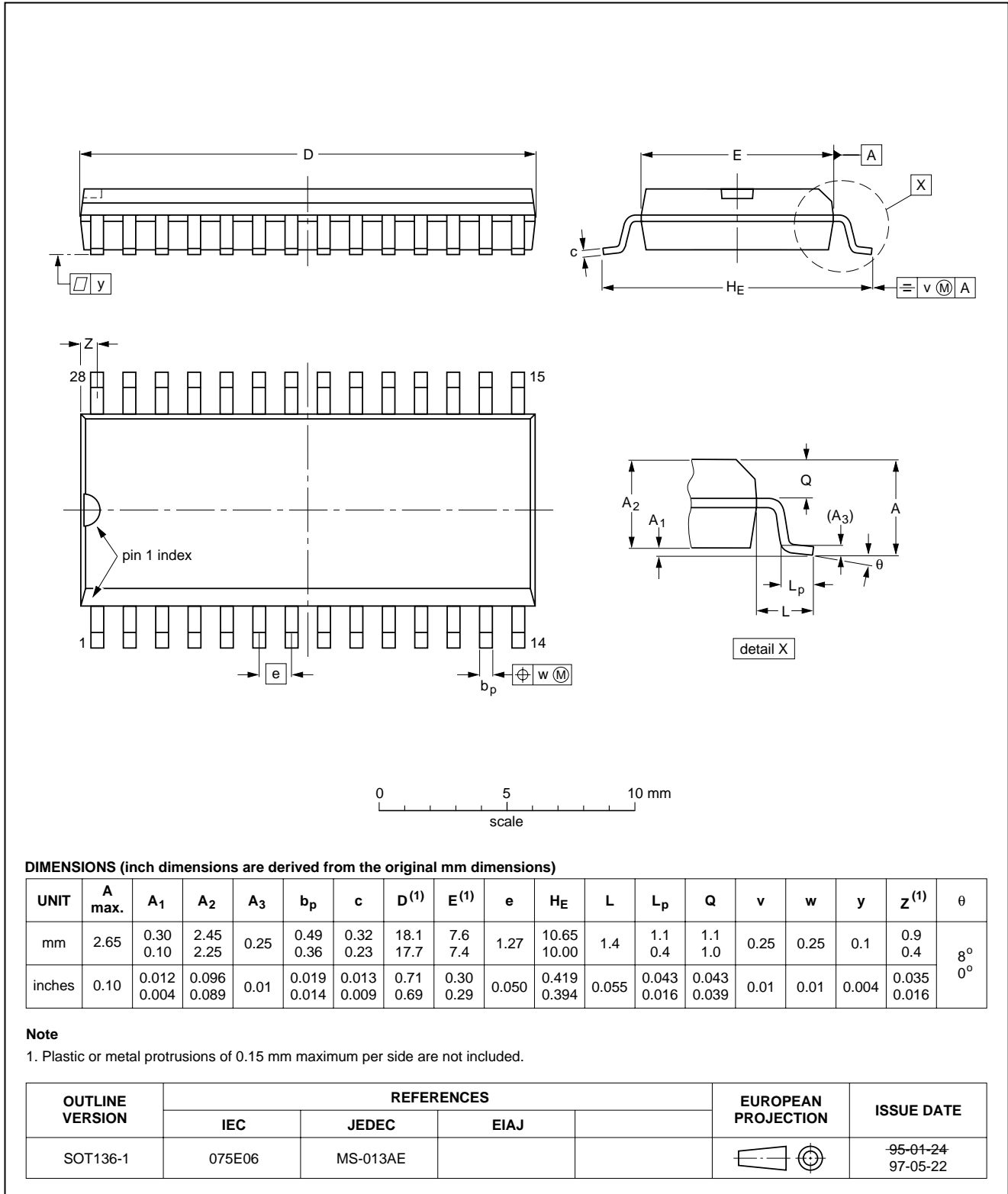
OUTLINE VERSION	REFERENCES				EUROPEAN PROJECTION	ISSUE DATE
	IEC	JEDEC	EIAJ			
SOT319-2						95-02-04 97-08-01

Universal Serial Bus (USB)  
Digital-to-Analog Converter (DAC)

UDA1321

SO28: plastic small outline package; 28 leads; body width 7.5 mm

SOT136-1



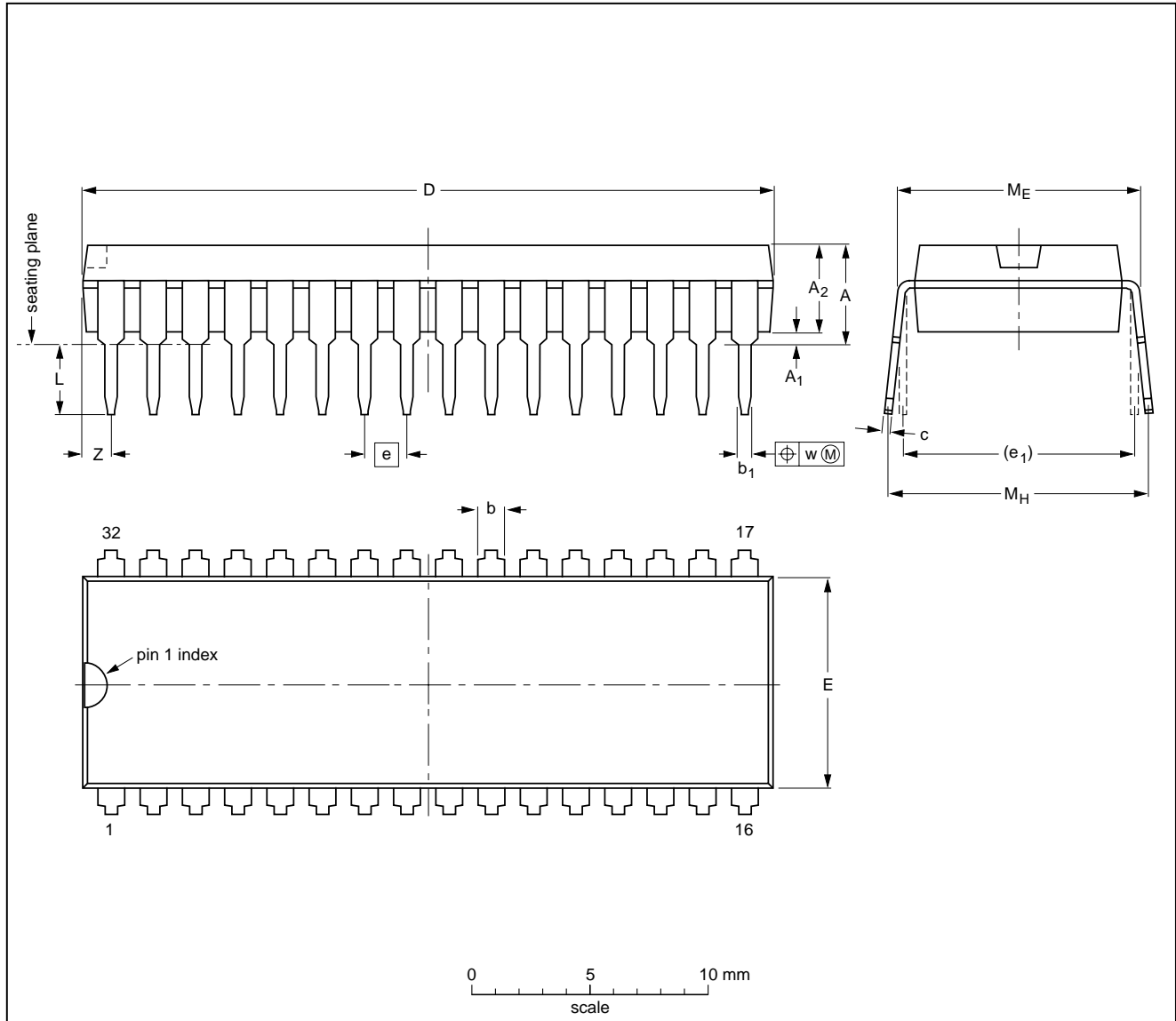


Universal Serial Bus (USB)  
Digital-to-Analog Converter (DAC)

UDA1321

SDIP32: plastic shrink dual in-line package; 32 leads (400 mil)

SOT232-1



DIMENSIONS (mm are the original dimensions)

UNIT	A max.	A <sub>1</sub> min.	A <sub>2</sub> max.	b	b <sub>1</sub>	c	D <sup>(1)</sup>	E <sup>(1)</sup>	e	e <sub>1</sub>	L	M <sub>E</sub>	M <sub>H</sub>	w	Z <sup>(1)</sup> max.
mm	4.7	0.51	3.8	1.3 0.8	0.53 0.40	0.32 0.23	29.4 28.5	9.1 8.7	1.778	10.16	3.2 2.8	10.7 10.2	12.2 10.5	0.18	1.6

Note

1. Plastic or metal protrusions of 0.25 mm maximum per side are not included.

OUTLINE VERSION	REFERENCES			EUROPEAN PROJECTION	ISSUE DATE
	IEC	JEDEC	EIAJ		
SOT232-1					92-11-17 95-02-04

## Universal Serial Bus (USB) Digital-to-Analog Converter (DAC)

UDA1321

### SOLDERING

#### Introduction

There is no soldering method that is ideal for all IC packages. Wave soldering is often preferred when through-hole and surface mounted components are mixed on one printed-circuit board. However, wave soldering is not always suitable for surface mounted ICs, or for printed-circuits with high population densities. In these situations reflow soldering is often used.

This text gives a very brief insight to a complex technology. A more in-depth account of soldering ICs can be found in our "Data Handbook IC26; Integrated Circuit Packages" (order code 9398 652 90011).

#### SDIP

##### SOLDERING BY DIPPING OR BY WAVE

The maximum permissible temperature of the solder is 260 °C; solder at this temperature must not be in contact with the joint for more than 5 seconds. The total contact time of successive solder waves must not exceed 5 seconds.

The device may be mounted up to the seating plane, but the temperature of the plastic body must not exceed the specified maximum storage temperature ( $T_{stg\ max}$ ). If the printed-circuit board has been pre-heated, forced cooling may be necessary immediately after soldering to keep the temperature within the permissible limit.

##### REPAIRING SOLDERED JOINTS

Apply a low voltage soldering iron (less than 24 V) to the lead(s) of the package, below the seating plane or not more than 2 mm above it. If the temperature of the soldering iron bit is less than 300 °C it may remain in contact for up to 10 seconds. If the bit temperature is between 300 and 400 °C, contact may be up to 5 seconds.

#### QFP and SO

##### REFLOW SOLDERING

Reflow soldering techniques are suitable for all QFP and SO packages.

The choice of heating method may be influenced by larger plastic QFP packages (44 leads, or more). If infrared or vapour phase heating is used and the large packages are not absolutely dry (less than 0.1% moisture content by weight), vaporization of the small amount of moisture in them can cause cracking of the plastic body.

For details, refer to the Drypack information in the "Data Handbook IC26; Integrated Circuit Packages; Section: Packing Methods".

Reflow soldering requires solder paste (a suspension of fine solder particles, flux and binding agent) to be applied to the printed-circuit board by screen printing, stencilling or pressure-syringe dispensing before package placement.

Several methods exist for reflowing; for example, infrared/convection heating in a conveyor type oven. Throughput times (preheating, soldering and cooling) vary between 50 and 300 seconds depending on heating method. Typical reflow peak temperatures range from 215 to 250 °C.

##### WAVE SOLDERING

##### QFP

Wave soldering is **not** recommended for QFP packages. This is because of the likelihood of solder bridging due to closely-spaced leads and the possibility of incomplete solder penetration in multi-lead devices.

CAUTION
Wave soldering is <b>NOT</b> applicable for all QFP packages with a pitch (e) equal or less than 0.5 mm.

**If wave soldering cannot be avoided, for QFP packages with a pitch (e) larger than 0.5 mm, the following conditions must be observed:**

- **A double-wave (a turbulent wave with high upward pressure followed by a smooth laminar wave) soldering technique should be used.**
- **The footprint must be at an angle of 45° to the board direction and must incorporate solder thieves downstream and at the side corners.**

##### SO

Wave soldering techniques can be used for all SO packages if the following conditions are observed:

- A double-wave (a turbulent wave with high upward pressure followed by a smooth laminar wave) soldering technique should be used.
- The longitudinal axis of the package footprint must be parallel to the solder flow.
- The package footprint must incorporate solder thieves at the downstream end.

# Universal Serial Bus (USB) Digital-to-Analog Converter (DAC)

UDA1321

## Method (QFP and SO)

During placement and before soldering, the package must be fixed with a droplet of adhesive. The adhesive can be applied by screen printing, pin transfer or syringe dispensing. The package can be soldered after the adhesive is cured.

Maximum permissible solder temperature is 260 °C, and maximum duration of package immersion in solder is 10 seconds, if cooled to less than 150 °C within 6 seconds. Typical dwell time is 4 seconds at 250 °C.

A mildly-activated flux will eliminate the need for removal of corrosive residues in most applications.

## REPAIRING SOLDERED JOINTS

Fix the component by first soldering two diagonally-opposite end leads. Use only a low voltage soldering iron (less than 24 V) applied to the flat part of the lead. Contact time must be limited to 10 seconds at up to 300 °C. When using a dedicated tool, all other leads can be soldered in one operation within 2 to 5 seconds between 270 and 320 °C.

## DEFINITIONS

<b>Data sheet status</b>	
Objective specification	This data sheet contains target or goal specifications for product development.
Preliminary specification	This data sheet contains preliminary data; supplementary data may be published later.
Product specification	This data sheet contains final product specifications.
<b>Limiting values</b>	
Limiting values given are in accordance with the Absolute Maximum Rating System (IEC 134). Stress above one or more of the limiting values may cause permanent damage to the device. These are stress ratings only and operation of the device at these or at any other conditions above those given in the Characteristics sections of the specification is not implied. Exposure to limiting values for extended periods may affect device reliability.	
<b>Application information</b>	
Where application information is given, it is advisory and does not form part of the specification.	

## LIFE SUPPORT APPLICATIONS

These products are not designed for use in life support appliances, devices, or systems where malfunction of these products can reasonably be expected to result in personal injury. Philips customers using or selling these products for use in such applications do so at their own risk and agree to fully indemnify Philips for any damages resulting from such improper use or sale.

## PURCHASE OF PHILIPS I<sup>2</sup>C COMPONENTS



Purchase of Philips I<sup>2</sup>C components conveys a license under the Philips' I<sup>2</sup>C patent to use the components in the I<sup>2</sup>C system provided the system conforms to the I<sup>2</sup>C specification defined by Philips. This specification can be ordered using the code 9398 393 40011.

# Philips Semiconductors – a worldwide company

**Argentina:** see South America

**Australia:** 34 Waterloo Road, NORTH RYDE, NSW 2113, Tel. +61 2 9805 4455, Fax. +61 2 9805 4466

**Austria:** Computerstr. 6, A-1101 WIEN, P.O. Box 213, Tel. +43 160 1010, Fax. +43 160 101 1210

**Belarus:** Hotel Minsk Business Center, Bld. 3, r. 1211, Volodarski Str. 6, 220050 MINSK, Tel. +375 172 200 733, Fax. +375 172 200 773

**Belgium:** see The Netherlands

**Brazil:** see South America

**Bulgaria:** Philips Bulgaria Ltd., Energoproject, 15th floor, 51 James Bourchier Blvd., 1407 SOFIA, Tel. +359 2 689 211, Fax. +359 2 689 102

**Canada:** PHILIPS SEMICONDUCTORS/COMPONENTS, Tel. +1 800 234 7381

**China/Hong Kong:** 501 Hong Kong Industrial Technology Centre, 72 Tat Chee Avenue, Kowloon Tong, HONG KONG, Tel. +852 2319 7888, Fax. +852 2319 7700

**Colombia:** see South America

**Czech Republic:** see Austria

**Denmark:** Prags Boulevard 80, PB 1919, DK-2300 COPENHAGEN S, Tel. +45 32 88 2636, Fax. +45 31 57 0044

**Finland:** Sinikalliontie 3, FIN-02630 ESPOO, Tel. +358 9 615800, Fax. +358 9 61580920

**France:** 51 Rue Carnot, BP317, 92156 SURESNES Cedex, Tel. +33 1 40 99 6161, Fax. +33 1 40 99 6427

**Germany:** Hammerbrookstraße 69, D-20097 HAMBURG, Tel. +49 40 23 53 60, Fax. +49 40 23 536 300

**Greece:** No. 15, 25th March Street, GR 17778 TAVROS/ATHENS, Tel. +30 1 4894 339/239, Fax. +30 1 4814 240

**Hungary:** see Austria

**India:** Philips INDIA Ltd, Band Box Building, 2nd floor, 254-D, Dr. Annie Besant Road, Worli, MUMBAI 400 025, Tel. +91 22 493 8541, Fax. +91 22 493 0966

**Indonesia:** PT Philips Development Corporation, Semiconductors Division, Gedung Philips, Jl. Buncit Raya Kav.99-100, JAKARTA 12510, Tel. +62 21 794 0040 ext. 2501, Fax. +62 21 794 0080

**Ireland:** Newstead, Clonskeagh, DUBLIN 14, Tel. +353 1 7640 000, Fax. +353 1 7640 200

**Israel:** RAPAC Electronics, 7 Kehilat Saloniki St, PO Box 18053, TEL AVIV 61180, Tel. +972 3 645 0444, Fax. +972 3 649 1007

**Italy:** PHILIPS SEMICONDUCTORS, Piazza IV Novembre 3, 20124 MILANO, Tel. +39 2 6752 2531, Fax. +39 2 6752 2557

**Japan:** Philips Bldg 13-37, Kohnan 2-chome, Minato-ku, TOKYO 108-8507, Tel. +81 3 3740 5130, Fax. +81 3 3740 5077

**Korea:** Philips House, 260-199 Itaewon-dong, Yongsan-ku, SEOUL, Tel. +82 2 709 1412, Fax. +82 2 709 1415

**Malaysia:** No. 76 Jalan Universiti, 46200 PETALING JAYA, SELANGOR, Tel. +60 3 750 5214, Fax. +60 3 757 4880

**Mexico:** 5900 Gateway East, Suite 200, EL PASO, TEXAS 79905, Tel. +9-5 800 234 7381

**Middle East:** see Italy

**Netherlands:** Postbus 90050, 5600 PB EINDHOVEN, Bldg. VB, Tel. +31 40 27 82785, Fax. +31 40 27 88399

**New Zealand:** 2 Wagener Place, C.P.O. Box 1041, AUCKLAND, Tel. +64 9 849 4160, Fax. +64 9 849 7811

**Norway:** Box 1, Manglerud 0612, OSLO, Tel. +47 22 74 8000, Fax. +47 22 74 8341

**Pakistan:** see Singapore

**Philippines:** Philips Semiconductors Philippines Inc., 106 Valero St. Salcedo Village, P.O. Box 2108 MCC, MAKATI, Metro MANILA, Tel. +63 2 816 6380, Fax. +63 2 817 3474

**Poland:** Ul. Lukiska 10, PL 04-123 WARSZAWA, Tel. +48 22 612 2831, Fax. +48 22 612 2327

**Portugal:** see Spain

**Romania:** see Italy

**Russia:** Philips Russia, Ul. Usatcheva 35A, 119048 MOSCOW, Tel. +7 095 755 6918, Fax. +7 095 755 6919

**Singapore:** Lorong 1, Toa Payoh, SINGAPORE 319762, Tel. +65 350 2538, Fax. +65 251 6500

**Slovakia:** see Austria

**Slovenia:** see Italy

**South Africa:** S.A. PHILIPS Pty Ltd., 195-215 Main Road Martindale, 2092 JOHANNESBURG, P.O. Box 7430 Johannesburg 2000, Tel. +27 11 470 5911, Fax. +27 11 470 5494

**South America:** Al. Vicente Pinzon, 173, 6th floor, 04547-130 SÃO PAULO, SP, Brazil, Tel. +55 11 821 2333, Fax. +55 11 821 2382

**Spain:** Balmes 22, 08007 BARCELONA, Tel. +34 93 301 6312, Fax. +34 93 301 4107

**Sweden:** Kottbygatan 7, Akalla, S-16485 STOCKHOLM, Tel. +46 8 5985 2000, Fax. +46 8 5985 2745

**Switzerland:** Allmendstrasse 140, CH-8027 ZÜRICH, Tel. +41 1 488 2741 Fax. +41 1 488 3263

**Taiwan:** Philips Semiconductors, 6F, No. 96, Chien Kuo N. Rd., Sec. 1, TAIPEI, Taiwan Tel. +886 2 2134 2865, Fax. +886 2 2134 2874

**Thailand:** PHILIPS ELECTRONICS (THAILAND) Ltd., 209/2 Sanpavuth-Bangna Road Prakanong, BANGKOK 10260, Tel. +66 2 745 4090, Fax. +66 2 398 0793

**Turkey:** Talatpasa Cad. No. 5, 80640 GÜLTEPE/ISTANBUL, Tel. +90 212 279 2770, Fax. +90 212 282 6707

**Ukraine:** PHILIPS UKRAINE, 4 Patrice Lumumba str., Building B, Floor 7, 252042 KIEV, Tel. +380 44 264 2776, Fax. +380 44 268 0461

**United Kingdom:** Philips Semiconductors Ltd., 276 Bath Road, Hayes, MIDDLESEX UB3 5BX, Tel. +44 181 730 5000, Fax. +44 181 754 8421

**United States:** 811 East Arques Avenue, SUNNYVALE, CA 94088-3409, Tel. +1 800 234 7381

**Uruguay:** see South America

**Vietnam:** see Singapore

**Yugoslavia:** PHILIPS, Trg N. Pasica 5/v, 11000 BEOGRAD, Tel. +381 11 625 344, Fax. +381 11 635 777

**For all other countries apply to:** Philips Semiconductors, International Marketing & Sales Communications, Building BE-p, P.O. Box 218, 5600 MD EINDHOVEN, The Netherlands, Fax. +31 40 27 24825

**Internet:** <http://www.semiconductors.philips.com>

© Philips Electronics N.V. 1998

SCA60

All rights are reserved. Reproduction in whole or in part is prohibited without the prior written consent of the copyright owner.

The information presented in this document does not form part of any quotation or contract, is believed to be accurate and reliable and may be changed without notice. No liability will be accepted by the publisher for any consequence of its use. Publication thereof does not convey nor imply any license under patent- or other industrial or intellectual property rights.

Printed in The Netherlands

545102/750/04/pp44

Date of release: 1998 Oct 06

Document order number: 9397 750 04262

*Let's make things better.*

**Philips  
Semiconductors**



**PHILIPS**

SUNSTAR 商斯达实业集团是集研发、生产、工程、销售、代理经销、技术咨询、信息服务等为一体的高科技企业，是专业高科技电子产品生产厂家，是具有 10 多年历史的专业电子元器件供应商，是中国最早和最大的仓储式连锁规模经营大型综合电子零部件代理分销商之一，是一家专业代理和分销世界各大品牌 IC 芯片和电子元器件的连锁经营综合性国际公司，专业经营进口、国产名厂名牌电子元件，型号、种类齐全。在香港、北京、深圳、上海、西安、成都等全国主要电子市场设有直属分公司和产品展示展销窗口门市部专卖店及代理分销商，已在全国范围内建成强大统一的供货和代理分销网络。我们专业代理经销、开发生产电子元器件、集成电路、传感器、微波光电元器件、工控机/DOC/DOM 电子盘、专用电路、单片机开发、MCU/DSP/ARM/FPGA 软件硬件、二极管、三极管、模块等，是您可靠的一站式现货配套供应商、方案提供商、部件功能模块开发配套商。商斯达实业公司拥有庞大的资料库，有数位毕业于著名高校——有中国电子工业摇篮之称的西安电子科技大学（西军电）并长期从事国防尖端科技研究的高级工程师为您精挑细选、量身订做各种高科技电子元器件，并解决各种技术问题。

微波光电部专业代理经销高频、微波、光纤、光电元器件、组件、部件、模块、整机；电磁兼容元器件、材料、设备；微波 CAD、EDA 软件、开发测试仿真工具；微波、光纤仪器仪表。欢迎国外高科技微波、光纤厂商将优秀产品介绍到中国、共同开拓市场。长期大量现货专业批发高频、微波、卫星、光纤、电视、CATV 器件：晶振、VCO、连接器、PIN 开关、变容二极管、开关二极管、低噪晶体管、功率电阻及电容、放大器、功率管、MMIC、混频器、耦合器、功分器、振荡器、合成器、衰减器、滤波器、隔离器、环行器、移相器、调制解调器；光电子元件和组件：红外发射管、红外接收管、光电开关、光敏管、发光二极管和发光二极管组件、半导体激光二极管和激光器组件、光电探测器和光接收组件、光发射接收模块、光纤激光器和光放大器、光调制器、光开关、DWDM 用光发射和接收器件、用户接入系统光收发器件与模块、光纤连接器、光纤跳线/尾纤、光衰减器、光纤适配器、光隔离器、光耦合器、光环行器、光复用器/转换器；无线收发芯片和模组、蓝牙芯片和模组。

更多产品请看本公司产品专用销售网站：

商斯达中国传感器科技信息网：<http://www.sensor-ic.com/>

商斯达工控安防网：<http://www.pc-ps.net/>

商斯达电子元器件网：<http://www.sunstare.com/>

商斯达微波光电产品网：[HTTP://www.rfoe.net/](http://www.rfoe.net/)

商斯达消费电子产品网：<http://www.icasic.com/>

商斯达实业科技产品网：<http://www.sunstars.cn/> 微波元器件销售热线：

地址：深圳市福田区福华路福庆街鸿图大厦 1602 室

电话：0755-82884100 83397033 83396822 83398585

传真：0755-83376182 (0) 13823648918 MSN: SUNS8888@hotmail.com

邮编：518033 E-mail:[szss20@163.com](mailto:szss20@163.com) QQ: 195847376

深圳赛格展销部：深圳华强北路赛格电子市场 2583 号 电话：0755-83665529 25059422

技术支持：0755-83394033 13501568376

欢迎索取免费详细资料、设计指南和光盘；产品凡多，未能尽录，欢迎来电查询。

北京分公司：北京海淀区知春路 132 号中发电子大厦 3097 号

TEL: 010-81159046 82615020 13501189838 FAX: 010-62543996

上海分公司：上海市北京东路 668 号上海赛格电子市场 D125 号

TEL: 021-28311762 56703037 13701955389 FAX: 021-56703037

西安分公司：西安高新开发区 20 所(中国电子科技集团导航技术研究所)

西安劳动南路 88 号电子商城二楼 D23 号

TEL: 029-81022619 13072977981 FAX:029-88789382