

Model P792

Low Range Differential Pressure Transducer

For Use with Dry Air or Compatible Dry Inert Gases



FEATURES

- Low Power Requirements
- Amplified Linear Output
- Temperature Compensated
- Replacement for Models P592/P593
- Pressure Ranges from $\pm 1''$ through $\pm 10''$ H₂O
- Ideal for VAV, Static Pressure Controls & Filter Applications
- Field Proven Reliability
- Superior Output Signal Stability
- EMI/RFI & ESD Protection
- CE Mark Certified
- Made in U.S.A.

APPLICATIONS

The **P792** is ideal for variable air volume systems, filter pressure drop, duct air flow, static pressure monitoring, gaseous leak detection, pneumatic controls, and medical equipment applications. Supplied by

5 Vdc, the **P792** provides an amplified, linear output voltage proportional to differential pressure.

The innovative electronic circuitry uses Kavlico's state-of-the-art,

mixed-signal CMOS ASIC to ensure high accuracy and exceptional EMI/RFI and ESD protection. Superior stability makes this sensor the best choice for repeatable, low pressure measurements.

OPERATION

The **P792** is a replacement for Kavlico's P592/P593 models that have set industry performance standards. Key to the superior operation of the **P792** pressure transducer is Kavlico's highly reliable

ceramic, variable capacitance sensing element combined with our new digitally programmable Application Specific Integrated Circuit (ASIC). This same technology is successfully used by Kavlico for

HVAC, automotive, diesel engine, on/off-highway vehicles, hydraulics, and many other applications. Millions of Kavlico sensors are in use worldwide.

QUALITY

Kavlico's sophisticated manufacturing practices have earned the highest quality awards from its customers.

As an ISO 9001 registered and QS-9000 compliant company, Kavlico is committed to total customer satisfaction. Each and every sensor is tested for conformance to its applicable specifications prior to shipment.

OEM DESIGNS

Kavlico designs application specific sensors to meet demanding OEM requirements. Using a broad range of sensing technologies, we provide components with greater EMI and over-voltage protection.

Solutions for tomorrow's sensing applications...Today

Model P792

DS-P792-8/01

Low Range Differential Pressure Transducer

For Use with Dry Air or Compatible Dry Inert Gases

SPECIFICATIONS

Pressure Ranges:	0-1, 0-2, 0-5, 0-10, (in inches of H ₂ O)	±1, ±2, ±5, ±10
Proof Pressure:	1.0 PSI (either port)	
Burst Pressure:	1.5 PSI (either port)	
Supply Voltage:	5.0 ± 0.5 Vdc	
Supply Current:	4mA MAX.	
Output Voltage (Ratiometric):	See "How to Order"	
Calibration Tolerance @ 5.0 Vdc supply and no load):		
Zero:	±120 mVdc for ±0.5" H ₂ O	±80 mVdc for all other ranges
Span:	±120 mVdc for ±0.5" H ₂ O	±80 mVdc for all other ranges
Linearity:	±0.5% of span MAX.	
Hysteresis/Repeatability:	±0.05% of span MAX.	
Ratiometricity:	±1.5% of span, MAX.	
	4.75 to 5.25 Vdc supply	
Temperature Effects (+10°C to +40°C):		
Ranges ±5", 0-10", and ±10":	1.5% of span MAX.	
Ranges ,0-1", 0-2", ±1", ±2", 0-5":	3.0% of span MAX.	
Response Time:	15 ms MAX. at 63% full scale	
Turn-on/Warm-up Time:	Less than 1 second, no overshoot	
Output Impedance:	100 Ohms MAX.	
Operating Temp:	-10°C to +60°C	
Storage Temp:	-40°C to +95°C	

Span is the algebraic difference between the highest output voltage and the lowest within the operating pressure range.

INSTALLATION

The case of this device is non-conductive. Three lead wires, with Red (Supply Voltage), Black (Output), Green (Ground), provide electrical connection to power and instrumentation. During installation of flexible tubes onto the pressure ports, tubes must be left open to ambient atmosphere to avoid overpressure. This transducer is designed to be mounted vertically with pressure ports facing down.

HOW TO ORDER

A typical order number has two codes, separated by one hyphen. Standard seal material is silicone. Standard pressure connection is a flared tube fitting. OEM options are available.

P792 Pressure Transducer

Pressure Range	Nominal Output Voltage Range (Ratiometric)
2B ±2.0" H ₂ O	0.25 to 4.00 Vdc
5 0-5.0" H ₂ O	0.25 to 4.00 Vdc
5B ±5.0" H ₂ O	0.25 to 4.00 Vdc
10 0-10.0" H ₂ O	0.25 to 4.50 Vdc
10B ±10.0" H ₂ O	0.25 to 4.75 Vdc

P792 - 5B

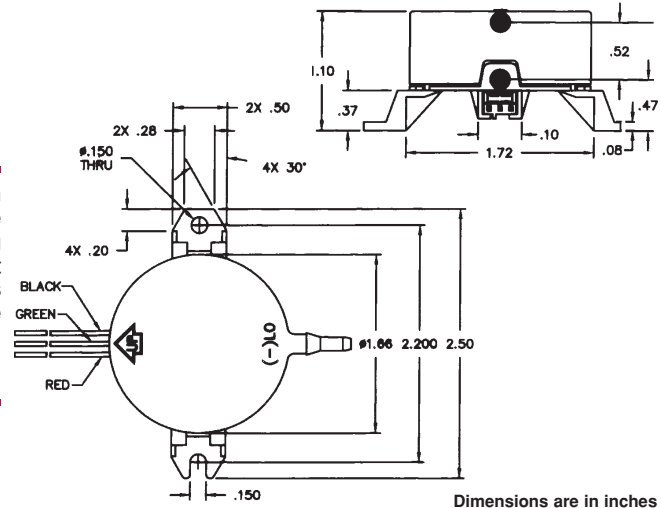
Example: P792-5B for ±5.0" H₂O

Contact Kavlico for alternative pressure ranges, pressure connections or voltage ranges.

Note: Performance Specifications with 5 ±0.002 Vdc supply at 25°C

Humidity:	95% RH, non-condensing
Vibration:	10G's peak to peak sinusoidal, 10-20 kHz
Shock:	50G's 1/2 sine wave
Weight:	2.5 oz. MAX.
Elec. Termination:	Lead Wires, 24 AWG, 12" Long
Mounting Position:	Vertical, pressure ports facing down
Pressure Connection:	1/8" dia. tube fitting with barb for 3/16 ID tubing
Recommended Interface Impedance:	25K Ohm MIN. resistance between transducer output and ground, in parallel with 0.2 uF MAX. capacitance
Over-voltage/Reverse Polarity Protection:	16 Vdc / -6 Vdc
Materials in Contact with Media:	96% alumina sensing element; silicone seal; non-conductive Petra® 130 FR thermoplastic housing
Certifications:	CE Mark, certified to the EMC Directive 89/336/EEC

OUTLINE DRAWING



Dimensions are in inches

Warranty: Kavlico warrants that its products will be free from defective materials and workmanship for a period of one (1) year from date of delivery to the original purchaser and that its products will conform to Kavlico's specifications or standards. Any product found to be defective will be replaced or repaired at the sole option of Kavlico.

Note: Kavlico reserves the right to change its specifications at any time without notice. Kavlico is not expert in the customer's technical field and therefore does not warrant the suitability of its product for the application selected by the customer.

Kavlico products are manufactured or covered by one or more of the following patents: 4329732, 4388668, 4398426, 4425799, 4426673, 4617607, 4680971, 4735098, 4974117, 5315877, 5329819, 5540086 with other U.S. and foreign patents pending.



Technology That Fits®

SUNSTAR 商斯达实业集团是集研发、生产、工程、销售、代理经销、技术咨询、信息服务等为一体的高科技企业，是专业高科技电子产品生产厂家，是具有 10 多年历史的专业电子元器件供应商，是中国最早和最大的仓储式连锁规模经营大型综合电子零部件代理分销商之一，是一家专业代理和分销世界各大品牌 IC 芯片和电子元器件的连锁经营综合性国际公司，专业经营进口、国产名厂名牌电子元件，型号、种类齐全。在香港、北京、深圳、上海、西安、成都等全国主要电子市场设有直属分公司和产品展示展销窗口门市部专卖店及代理分销商，已在全国范围内建成强大统一的供货和代理分销网络。我们专业代理经销、开发生产电子元器件、集成电路、传感器、微波光电元器件、工控机/DOC/DOM 电子盘、专用电路、单片机开发、MCU/DSP/ARM/FPGA 软件硬件、二极管、三极管、模块等，是您可靠的一站式现货配套供应商、方案提供商、部件功能模块开发配套商。商斯达实业公司拥有庞大的资料库，有数位毕业于著名高校——有中国电子工业摇篮之称的西安电子科技大学（西军电）并长期从事国防尖端科技研究的高级工程师为您精挑细选、量身订做各种高科技电子元器件，并解决各种技术问题。

更多产品请看本公司产品专用销售网站：

商斯达中国传感器科技信息网：<http://www.sensor-ic.com/>

商斯达工控安防网：<http://www.pc-ps.net/>

商斯达电子元器件网：<http://www.sunstare.com/>

商斯达微波光电产品网：[HTTP://www.rfoe.net/](http://www.rfoe.net/)

商斯达消费电子产品网：<http://www.icasic.com/>

商斯达实业科技产品网：<http://www.sunstars.cn/>

传感器销售热线：

地址：深圳市福田区福华路福庆街鸿图大厦 1602 室

电话：0755-83370250 83376489 83376549 83607652 83370251 82500323

传真：0755-83376182 (0) 13902971329 MSN: SUNS8888@hotmail.com

邮编：518033 E-mail:szss20@163.com QQ: 195847376

深圳赛格展销部：深圳华强北路赛格电子市场 2583 号 电话：0755-83665529 25059422

技术支持：0755-83394033 13501568376

欢迎索取免费详细资料、设计指南和光盘；产品凡多，未能尽录，欢迎来电查询。

北京分公司：北京海淀区知春路 132 号中发电子大厦 3097 号

TEL: 010-81159046 82615020 13501189838 FAX: 010-62543996

上海分公司：上海市北京东路 668 号上海赛格电子市场 2B35 号

TEL: 021-28311762 56703037 13701955389 FAX: 021-56703037

西安分公司：西安高新开发区 20 所(中国电子科技集团导航技术研究所)

西安劳动南路 88 号电子商城二楼 D23 号

TEL: 029-81022619 13072977981 FAX:029-88789382