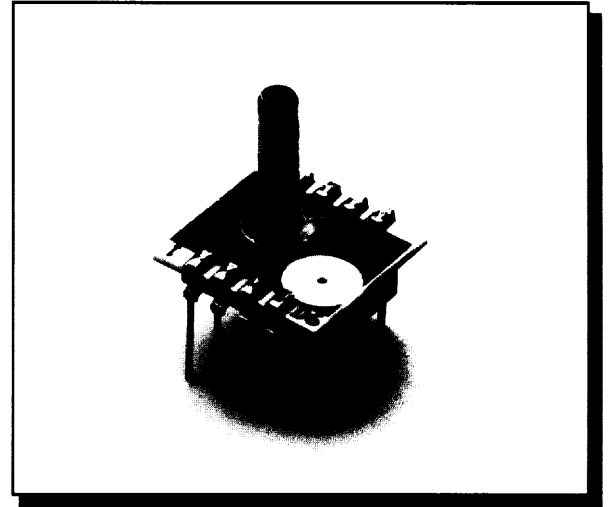


NPC-1210 Series

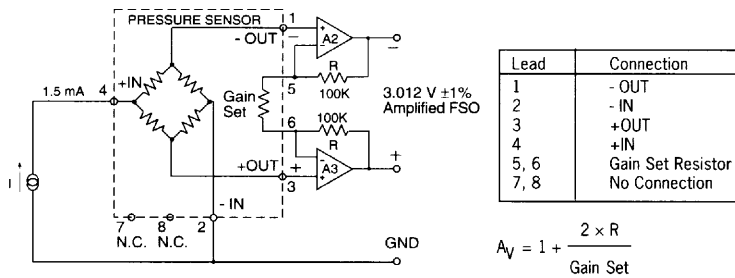
Solid State
Pressure Sensor
Low-Medium Pressure

The NPC-1210 series of solid state pressure sensors are designed to provide a cost effective solution for applications that require calibrated performance over a wide temperature range. Packaged in a dual-in-line configuration, the NPC-1210 series is intended for printed circuit board mounting. Optional pressure port and lead configurations give superior flexibility in low profile applications where pressure connection orientation is critical.

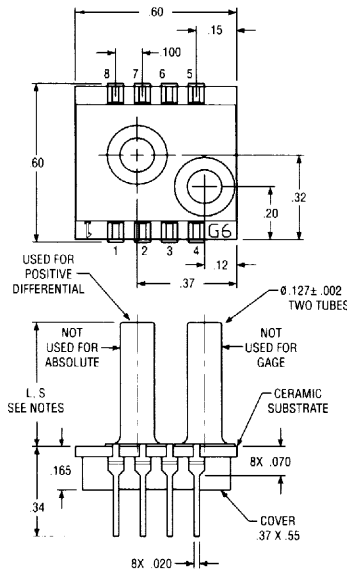
The NPC-1210 series is based on NovaSensor®'s advanced SenStable® piezoresistive sensing technology. Silicon micromachining techniques are used to ion implant piezoresistive strain gages into a Wheatstone bridge configuration. The NPC-1210 offers the added advantage of superior temperature performance over the temperature compensated range of 0°C to +60°C. A gain set resistor is included to normalize the FSO for field interchangeability. Additionally, the NPC-1210 series is available in pressure ranges from 0 to 5 through 0 to 100 psi. Please contact the factory for other pressure ranges.



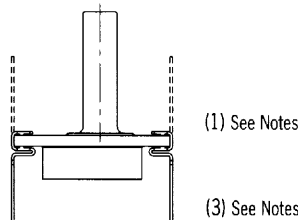
Schematic Diagram



Package Diagram



- Notes:
- All dimensions are in inches.
 - Tube length; L = 0.490 , S=0.325, N = No tube (Contact factory).
 - Lead pins can be either be in the same or the opposite direction of the pressure tube. Option (1) has the leads in the "Up" position, the same direction as the tube. Option (3) has the leads in the "Down" position, the opposite direction of the tube.



APPLICATIONS

- Industrial automation
- Air flow monitors
- Process control
- Liquid level
- Medical equipment
- Water measurement
- Underground cable leak detection

FEATURES

- 100 mV Full-scale Output
- ±0.1% accuracy
- Interchangeable
- Temperature Compensated 0°C to 60°C
- PCB mountable package
- Media compatible
- DIP package
- Solid state reliability
- Individual device traceability

PRESSURE RANGES

- Gauge and Differential
5, 15, 30, 50 and 100 psi
- Absolute
15, 30, 50 and 100 psi

NPC-1210 Sensor Specification

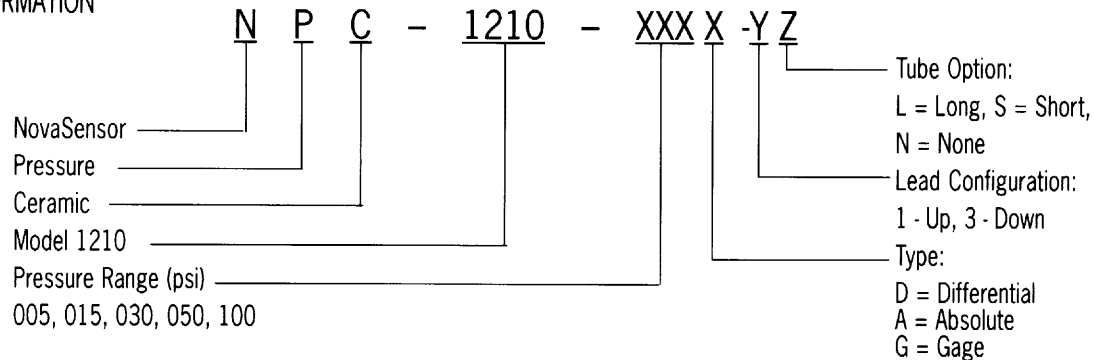
SUNSTAR传感与控制 <http://www.sensor-ic.com/> TEL:0755-83376549 FAX:0755-83376182 E-MAIL:szss20@163.com

PARAMETER	VALUE	UNITS	NOTES		
ENVIRONMENTAL					
Temperature Operating	-40 to +125	°C	-40 to +257°F		
Compensated	0 to +60	°C	+32 to +140°F		
Storage	-55 to +150	°C	-67 to +302°F		
MECHANICAL					
Weight	2.5	grams			
Media Compatibility:	Positive differential and gage ports Absolute, negative differential ports	Compatible with wetted materials Dry gases only	7		
PERFORMANCE (Note 1)					
Parameter	Units	Min.	Typ.	Max.	Notes
Full Scale Output (FSO)	mV	75	100	150	2, 3
Zero Pressure Output	±mV	—	—	2	3
Linearity	±%FSO	—	—	0.1	4, 8
Pressure Hysteresis	±%FSO	—	—	0.1	
Input Impedance	Ω	2500	4000	6000	
Output Impedance	Ω	4000	5000	6000	
Thermal Accuracy-Span	±%FSO	—	—	0.5	3, 5, 8
Thermal Accuracy-Zero	±%FSO	—	—	0.5	3, 5, 8
Temperature Coefficient-Resistance	%/°C	—	0.22	—	5
Thermal Hysteresis-Zero	±%FSO	—	0.1	—	5
Input Excitation	mA	—	1.5	2.0	
Pressure Overload	Rated	—	—	3X	6

Notes:

- Supply current = 1.5mA and ambient temperature = 25°C, unless otherwise noted.
- Output span of unamplified sensor.
- Compensation resistors are an integral part of the sensor package; no additional external resistors are required. Pins 7 and 8 must be kept open. The NPC-1210 is interchangeable only when used with the gain set resistor shown in the Schematic Diagram.
- Best fit straight line
- Temperature range 0-60°C, reference to 25°C.
- 3X or 200 psi maximum, whichever is less.
- Wetted materials are pyrex, ceramic, silicon, epoxy, RTV and nickel.
- Call factory for 5 PSI spec.

ORDERING INFORMATION



Sales Terms: NovaSensor standard sales terms apply. Prices and specifications are subject to change without notice.

Warranty: NovaSensor warrants its products against defects in material and workmanship for 12 months from date of shipment. Products not subjected to misuse will be repaired or replaced. THE FOREGOING IS IN LIEU OF ANY OTHER EXPRESSED OR IMPLIED WARRANTIES. NovaSensor reserves the right to make changes to any product herein and assumes no liability arising out of the application or use of any product or circuit described or referenced herein.



NOVASENSOR

SM0003 Rev. A

SUNSTAR 商斯达实业集团是集研发、生产、工程、销售、代理经销、技术咨询、信息服务等为一体的高科技企业，是专业高科技电子产品生产厂家，是具有 10 多年历史的专业电子元器件供应商，是中国最早和最大的仓储式连锁规模经营大型综合电子零部件代理分销商之一，是一家专业代理和分销世界各大品牌 IC 芯片和电子元器件的连锁经营综合性国际公司，专业经营进口、国产名厂名牌电子元件，型号、种类齐全。在香港、北京、深圳、上海、西安、成都等全国主要电子市场设有直属分公司和产品展示展销窗口门市部专卖店及代理分销商，已在全国范围内建成强大统一的供货和代理分销网络。我们专业代理经销、开发生产电子元器件、集成电路、传感器、微波光电元器件、工控机/DOC/DOM 电子盘、专用电路、单片机开发、MCU/DSP/ARM/FPGA 软件硬件、二极管、三极管、模块等，是您可靠的一站式现货配套供应商、方案提供商、部件功能模块开发配套商。商斯达实业公司拥有庞大的资料库，有数位毕业于著名高校——有中国电子工业摇篮之称的西安电子科技大学（西军电）并长期从事国防尖端科技研究的高级工程师为您精挑细选、量身订做各种高科技电子元器件，并解决各种技术问题。

更多产品请看本公司产品专用销售网站：

商斯达中国传感器科技信息网：<http://www.sensor-ic.com/>

商斯达工控安防网：<http://www.pc-ps.net/>

商斯达电子元器件网：<http://www.sunstare.com/>

商斯达微波光电产品网：[HTTP://www.rfoe.net/](http://www.rfoe.net/)

商斯达消费电子产品网：<http://www.icasic.com/>

商斯达实业科技产品网：<http://www.sunstars.cn/>

传感器销售热线：

地址：深圳市福田区福华路福庆街鸿图大厦 1602 室

电话：0755-83370250 83376489 83376549 83607652 83370251 82500323

传真：0755-83376182 (0) 13902971329 MSN: SUNS8888@hotmail.com

邮编：518033 E-mail:szss20@163.com QQ: 195847376

深圳赛格展销部：深圳华强北路赛格电子市场 2583 号 电话：0755-83665529 25059422

技术支持：0755-83394033 13501568376

欢迎索取免费详细资料、设计指南和光盘；产品凡多，未能尽录，欢迎来电查询。

北京分公司：北京海淀区知春路 132 号中发电子大厦 3097 号

TEL: 010-81159046 82615020 13501189838 FAX: 010-62543996

上海分公司：上海市北京东路 668 号上海赛格电子市场 2B35 号

TEL: 021-28311762 56703037 13701955389 FAX: 021-56703037

西安分公司：西安高新开发区 20 所(中国电子科技集团导航技术研究所)

西安劳动南路 88 号电子商城二楼 D23 号

TEL: 029-81022619 13072977981 FAX:029-88789382