



Product Specification of:

**O<sub>2</sub> - Medical Sensor**

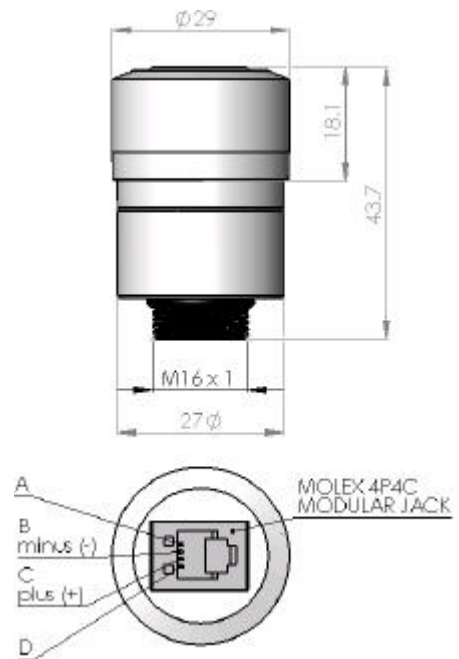
**Type: M - 07**

Part. No.: 41 00 09

**Key Features:** Gas sensor that has separate temperature compensation network, replaces Teledyne's T-7 cell and fits to most Teledyne Analyzers

All characteristics are based on conditions at 25°C, 50% RH and 1013 hPa

Electrical Connector:	RJ11 modular plug 4P4C
Measurement Range:	0 to 100 Vol.%
Nominal Sensor Life:	> 500, 000 Vol.% h
Expected Operating Life:	< 3 years @ ambient air
Output Signal:	7.5 to 12.5 mV @ dry ambient air
Response Time $t_{90}$ :	< 8 s
Drift:	< 1% volume O <sub>2</sub> / month @ air
Operating Temperature:	0 to 40°C
Pressure Range:	750 to 1250 hPa
Linearity Error:	= 2% @ 100% O <sub>2</sub> applied for 5 min
Zero Offset Voltage:	< 200 $\mu$ V in 100% N <sub>2</sub> , applied for 5 min
Repeatability:	$\pm$ 1 % volume O <sub>2</sub> @ 100% O <sub>2</sub> , applied for 5 min
Influence of Humidity:	-0.03% rel. O <sub>2</sub> reading per % RH
Temperature Compensation:	NTC
Interferences:	according DIN EN 12598 and ISO 7767



Tolerance:  $\pm$  0.15 mm

**Storage Conditions**

Temperature Range:	recommended: 5 to 30°C maximum: - 20 to 50°C
Humidity:	up to 100% RH
Shelf Life:	< 6 months
Weight:	approximately 26 g
Material in contact with media:	PA, PPS, PTFE, stainless steel
Warranty Period:	16 months
Housing Colour:	white

This data sheet is subject to change without prior notice !

[M-07 Rev. 01-05.doc]

page 1 / 1

**IT Dr. Gambert GmbH, Hinter dem Chor 21, 23966 Wismar, Germany**

Tel.: +49 (0) 3841 22 00 50, Fax: +49 (0) 3841 22 00 522, [sales@it-wismar.de](mailto:sales@it-wismar.de), [www.it-wismar.de](http://www.it-wismar.de)

SUNSTAR自动化 <http://www.sensor-ic.com/> TEL: 0755-83376489 FAX:0755-83376182 E-MAIL: szss20@163.com