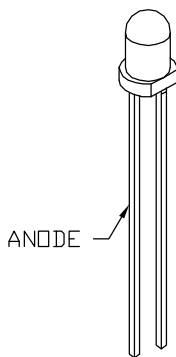
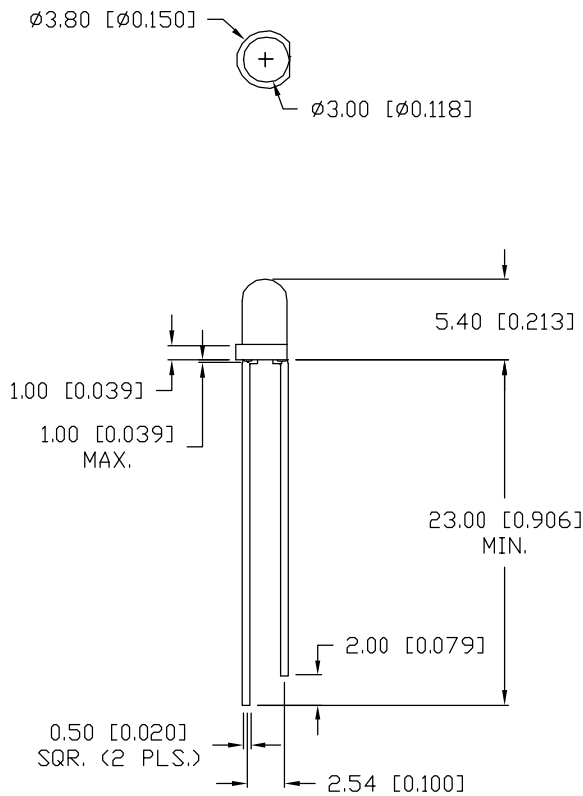


OED-EL-8L

C

| REV. | E.C.N. NUMBER AND REVISION COMMENTS | DATE     |
|------|-------------------------------------|----------|
| A    | E.C.N. #10247.                      | 9.30.96  |
| B    | E.C.N. #10BRDR.                     | 1.7.98   |
| C    | E.C.N. #10BRDR. & REDRAWN IN 3D.    | 12.31.02 |



ELECTRO-OPTICAL CHARACTERISTICS  $T_A=25^{\circ}\text{C}$   $I_f=20\text{mA}$

| PARAMETER                      | MIN | TYP      | MAX | UNITS   | TEST COND           |
|--------------------------------|-----|----------|-----|---------|---------------------|
| PEAK WAVELENGTH                |     | 940      |     | nm      |                     |
| SPECTRAL BANDWIDTH             |     | 45       |     | nm      |                     |
| FORWARD VOLTAGE                |     | 1.4      | 1.5 | $V_f$   |                     |
| REVERSE VOLTAGE                |     |          | 5.0 | $V_r$   | $I_r=10\mu\text{A}$ |
| RADIANT INTENSITY              | 25  | 50       |     | mW/SR   | $I_f=100\text{mA}$  |
| HALF ANGLE                     |     | $\pm 20$ |     | degrees |                     |
| EPOXY LENS FINISH: WATER CLEAR |     |          |     |         |                     |

LIMITS OF SAFE OPERATION AT  $25^{\circ}\text{C}$

| PARAMETER                        | MAX         | UNITS                  |
|----------------------------------|-------------|------------------------|
| PEAK FORWARD CURRENT*            | 1           | A                      |
| STEADY CURRENT                   | 100         | mA                     |
| POWER DISSIPATION                | 150         | mW                     |
| DERATE FROM $25^{\circ}\text{C}$ | -1.6        | mW/ $^{\circ}\text{C}$ |
| OPERATING TEMP.                  | -25 TO +85  | $^{\circ}\text{C}$     |
| STORAGE TEMP.                    | -25 TO +100 | $^{\circ}\text{C}$     |
| SOLDERING TEMP.                  | +260        | $^{\circ}\text{C}$     |
| 2.0mm FROM BODY                  |             | 3 SEC. MAX             |

\*  $t_p < 100\mu\text{s}$ ,  $t_p/T = 0.01$

\*UNLESS OTHERWISE SPECIFIED TOLERANCES PER DECIMAL PRECISION ARE: X=±1 (±0.039), X.X=±0.5 (±0.020), X.XX=±0.25 (±0.010), X.XXX=±0.127 (±0.005). LEAD SIZE=±0.05 (±0.002), LEAD LENGTH=±0.75 (±0.030). MIN.= +DECIMAL PRECISION MAX.= +0.00 -DECIMAL PRECISION

UNCONTROLLED DOCUMENT

|           |                          |
|-----------|--------------------------|
| REV.<br>C | PART NUMBER<br>OED-EL-8L |
|-----------|--------------------------|

**CONFIDENTIAL INFORMATION**  
THE INFORMATION CONTAINED IN THIS DOCUMENT IS THE PROPERTY OF LUMEX INC. EXCEPT AS SPECIFICALLY AUTHORIZED IN WRITING BY LUMEX INC., THE HOLDER OF THIS DOCUMENT SHALL KEEP ALL INFORMATION CONTAINED HEREIN CONFIDENTIAL AND SHALL PROTECT SAME IN WHOLE OR IN PART FROM DISCLOSURE AND DISSEMINATION TO ALL THIRD PARTIES.



290 E. HELEN ROAD  
PALATINE, IL 60067-6976  
PHONE: +1.847.359.2790  
US WEB: www.lumex.com  
TW WEB: www.lumex.com.tw

T-3mm, 940nm INFRARED EMITTER, WATER CLEAR LENS.  
SUNSTAR自动化 http://www.sensor-ic.com/ TEL: 0755-83376489 FAX: 0755-83376182E-MAIL: szss20@163.com

**RELIABILITY NOTE**  
OUR MANY YEARS OF EXPERIENCE DATA ACCUMULATION INDICATE THAT SOLDER HEAT IS A MAJOR CAUSE OF EARLY AND FUTURE FAILURE. PLEASE PAY ATTENTION TO YOUR SOLDERING PROCESS.

|           |             |              |               |
|-----------|-------------|--------------|---------------|
| DRAWN BY: | CHECKED BY: | APPROVED BY: | DATE: 4.21.93 |
|           |             |              | PAGE: 1 OF 1  |
|           |             |              | SCALE: N/A    |