







DEVICE NUMBER : DIS-033-002 REV : 1.3  
 ECN : \_\_\_\_\_ PAGE : 3/8

**5mm Infrared LED,T-1 3/4**

MODEL NO : SIR333

**■ Absolute Maximum Ratings at T<sub>A</sub> = 25°C**

Parameter	Symbol	Rating	Unit	Notice
Continuous Forward Current	I <sub>F</sub>	100	mA	
Peak Forward Current Pulse width=100 μs,Duty cycle=1%	I <sub>FP</sub>	1.0	A	
Reverse Voltage	V <sub>R</sub>	5	V	
Operating Temperature	Topr	-40 ~ +85	°C	
Storage Temperature	Tstg	-40 ~ +85	°C	
Soldering Temperature	Tsol	260	°C	4mm from mold body less than 5 seconds
Power Dissipation at(or below) 25°C Free Air Temperature	Pd	150	mW	

**■ Electronic Optical Characteristics :**

Parameter	Symbol	Min.	Typ.	Max.	Unit	Condition
Radiant Intensity	Ee	7.8	20	----	mW/sr	I <sub>F</sub> =20mA
		----	95	----		I <sub>F</sub> =100mA,tp=100 μs, t <sub>p</sub> /T=0.01
		----	920	----		I <sub>F</sub> =1A,tp=100 μs, t <sub>p</sub> /T=0.01
Peak Wavelength	λ <sub>P</sub>	----	875	----	nm	I <sub>F</sub> =20mA
Spectral Bandwidth	Δλ	----	80	----	nm	I <sub>F</sub> =20mA
Forward Voltage	V <sub>F</sub>	----	1.3	1.6	V	I <sub>F</sub> =20mA
		----	1.4	1.8		I <sub>F</sub> =100mA,tp=100 μs, t <sub>p</sub> /T=0.01
		----	2.6	4.0		I <sub>F</sub> =1A,tp=100 μs, t <sub>p</sub> /T=0.01
Reverse Current	I <sub>R</sub>	----	----	10	μA	V <sub>R</sub> =5V
View Angle	2θ1/2	----	20	----	deg	I <sub>F</sub> =20mA









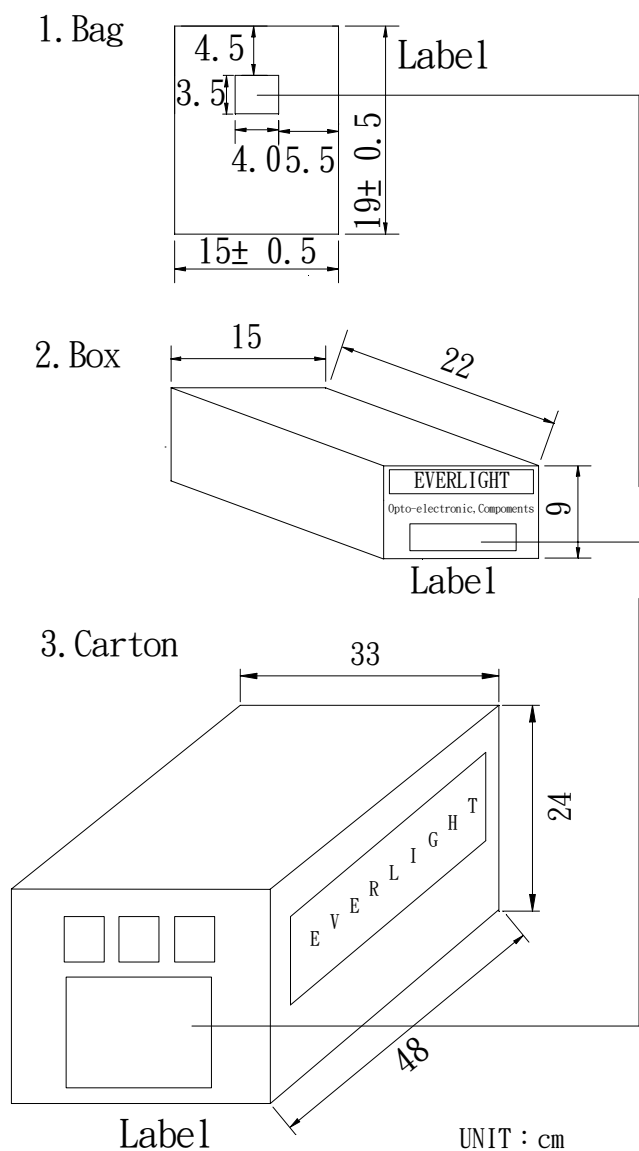


DEVICE NUMBER : DIS-033-002      REV : 1.3  
ECN : \_\_\_\_\_      PAGE : 8/8

## 5mm Infrared LED,T-1 3/4

MODEL NO : SIR333

### ■ Packing Specifications



EVERLIGHT

CPN:

P/N:

SIR333

QTY:

LOT NO:

CAT:

HUE:

REF:

MADE IN TAIWAN

CPN : Customer's Production Number  
P/N : Production Number  
QTY : Packing Quantity  
CAT : Ranks  
HUE : Peak Wavelength  
REF : Reference  
LOT NO : Lot Number  
MADE IN TAIWAN : Production place

### ■ Packing Quantity Specification

- 500Pcs/1Bag · 6 Bags/1Box
- 10 Boxes/1Carton