

Model 925



Features

- Standard Size 25 Package (2.5")
- Resolutions Up To 12 Bit (4096 Counts)
- Incorporates Opto-ASIC Technology
- Industrial Grade, Heavy Duty Housing
- Wide Range of Operating Voltages (4.75 to 26 VDC)

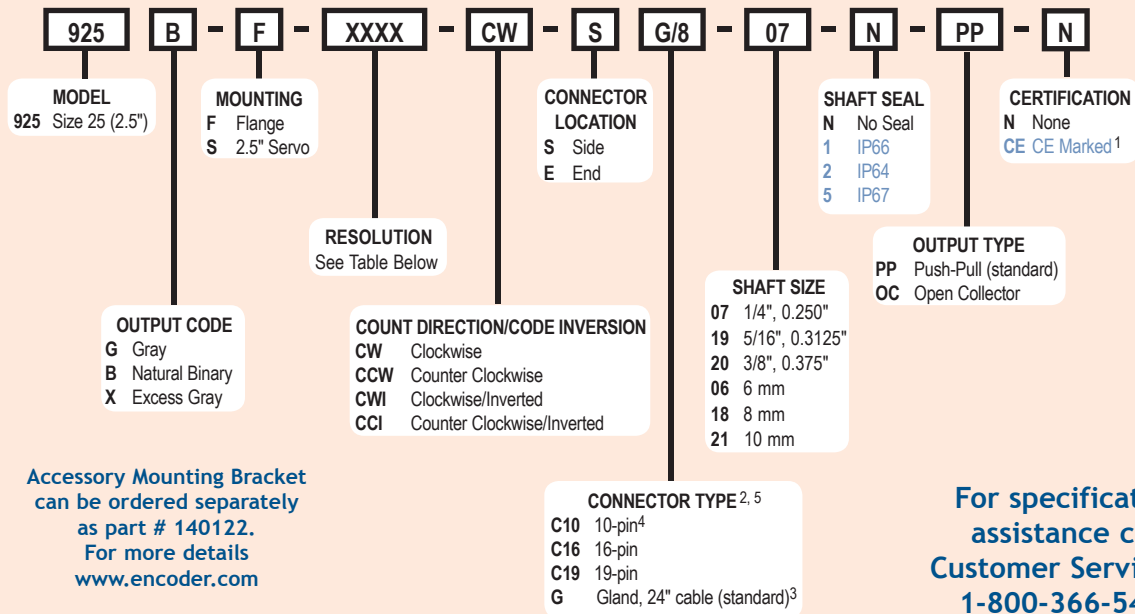
The Model 925 Single Turn Absolute Accu-Coder™ is ideal for a wide variety of industrial applications that require an encoder with the capability of absolute positioning output. Its fully digital output and innovative use of Opto-ASIC technology make the Model 925 an excellent choice for all applications, especially ones with a high presence of noise. Available with either round servo or square flange mounting, and a variety of connector and cabling options, the Model 925 is easily designed into a variety of application requirements. The Model 925, with its wide selection of shaft sizes supported by industrial grade, heavy duty bearings, and its optional IP67 seal, is ideal for rough environments.

Common Applications

Machine Tools, Robotics, Telescopes, Antennas, Rotary & X-Y Positioning Tables, Medical Scanners

Model 925 Ordering Guide

Blue type indicates price adder options. Not all configuration combinations may be available. Contact Customer Service for details.



Accessory Mounting Bracket can be ordered separately as part # 140122. For more details www.encoder.com

For specification assistance call Customer Service at 1-800-366-5412

Model 925 Resolution Table

Output Code	Counts Per Resolution					
Gray Code	0256	0512	1024	2048	4096	
Natural Binary	0250	0256	0360	0500	0512	1000
	1024	1440	2000	2048	2880	4096
Excess Gray	0180	0250	0360	0500	0720	1000
	2000	2880	4000			

NOTES:

- 1 Please refer to Technical Bulletin TB100: *When to Choose the CE Option* at www.encoder.com. Contact Customer Service for availability.
- 2 For additional connector styles please contact Customer Service.
- 3 Standard cable length is 24". For non-standard cable lengths, add a forward slash (/) plus cable length expressed in feet. Example: G/6 = 6 feet of cable.
- 4 Only available with 8 bit resolution encoder.
- 5 For mating connectors, cables, and cordsets, please see www.encoder.com.

Model 925

Model 925 Specifications

Electrical

Input Voltage 4.75 to 26 VDC max
 Regulation..... 100 mV peak-to-peak, max ripple at 0 to 10 kHz
 Input Current..... 100 mA max with no external load
 Output Format Absolute- Parallel Outputs
 Output Type Open Collector- 20 mA max per channel
 Push-Pull- 20 mA max per channel
 Code Gray Code, Natural Binary Code, Excess Gray Code
 Max Frequency..... 50 kHz (LSB)
 Rise Time..... Less than 1 microsecond
 Resolution..... Up to 12 bit
 Accuracy..... $\pm 1/2$ LSB

Control

Directional Control... Field selectable for increasing counts (CW or CCW)

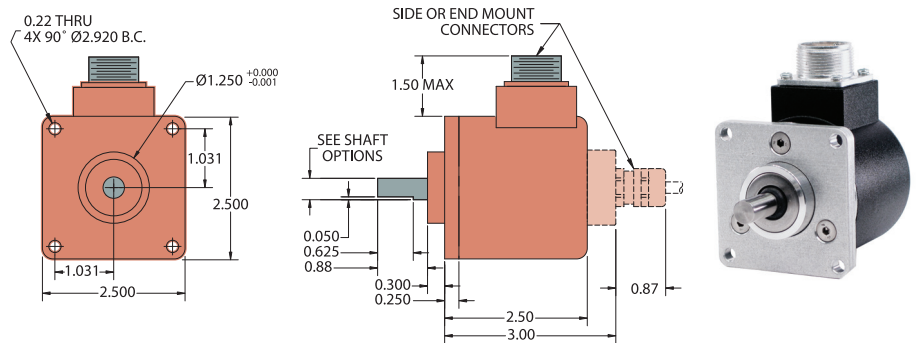
Mechanical

Max Shaft Speed..... 6000 RPM continuous
 Shaft Size 0.250", 0.3125", 0.375", 6 mm, 8 mm
 Radial Shaft Load..... 35 lb max
 Axial Shaft Load 40 lb max
 Starting Torque 1.0 oz-in typical for no seal
 2.0 oz-in typical with IP64 seal
 3.0 oz-in typical with IP66 shaft seal
 7.0 oz-in typical with IP67 shaft seal
 Max Acceleration 1×10^5 rad/sec²
 Electrical Conn Gland with 24" cable (braid shield, 30 AWG conductors), 10-, 16-, and 19-pin
 Housing..... Aluminum
 Mounting..... Flange or servo type
 Weight..... 22 oz typical

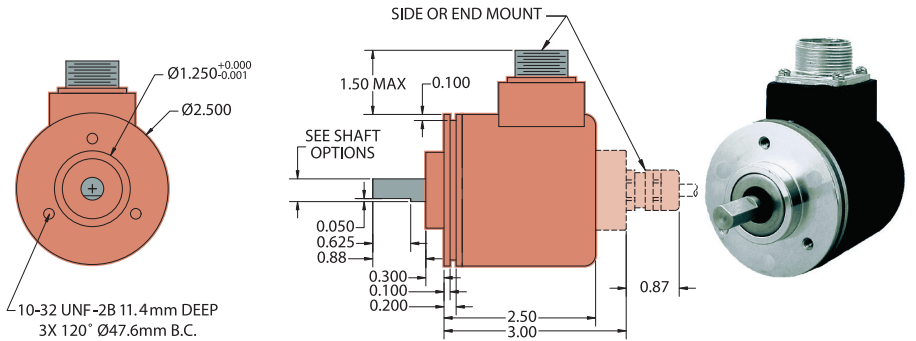
Environmental

Operating Temp..... 0° to 70° C
 Storage Temp -20° to +85° C
 Humidity..... 98% RH non-condensing
 Vibration..... 10 g @ 58 to 500 Hz
 Shock..... 20 g @ 11 ms duration
 Sealing..... IP50 standard; IP64, IP66 or IP67 optional

Model 925 Flange Mount (F)



Model 925 2.5" Servo Mount (S)



All dimensions are in inches with a tolerance of $\pm 0.005"$ or $\pm 0.01"$ unless otherwise specified

Wiring Table

Function	19-PIN	16-PIN	10-PIN* MS	Gland Cable or Mating Conn.	NOTES:
	KPT02E14-19P	Pin	Pin	Wire Color	
S1 MSB	A	3	A	Brown	* Only available with 8-bit resolution encoders ** Where Fitted *** Direction Control- Standard is CW increasing when viewed from the shaft end. Direction pin is pulled high normally to 5V internally. Direction pin must be pulled low (GND, Common) to reverse count direction. Applied voltage to direction pin should not exceed 5V.
S2	B	5	B	White	
S3	C	6	C	Green	
S4	D	7	D	Orange	
S5	E	8	E	Blue	
S6	F	9	F	Violet	
S7	G	10	G	Gray	
S8 LSB 8-bit	H	11	H	Pink	
S9 LSB 9-bit	J	12	—	Red/Green	
S10 LSB 10-bit	K	13	—	Red/Yellow	
S11 LSB 11-bit	L	14	—	Turquoise	
S12 LSB 12-bit	M	15	—	Yellow	
Direction***	R	4	—	Red/Blue	
Case Ground	S	16	—	Drain/Screen	
0V Common	T	1	J	Black	
Special**	U	—	—	White/Red	
+VDC	V	2	I	Red	