

DR735

Direct Replacement Encoder For Heidenhain* ROD320



Designed as a drop-in replacement for the Heidenhain ROD320 encoder, our DR735 meets or exceeds all OEM specifications, and is available with EPC's competitive pricing, short lead-time and 3 year warranty. The DR735 is designed to provide precision feedback control for Siemens* 1FT Series Simodrive* motors. It features an improved "Stay In Place" tapered shaft, custom flex mount, 2000, 2500 or 5000 CPR, 9" of cable, and a 17 pin connector with the correct Heidenhain pinout. Other disc resolutions are available.

Replacing both the older ROD320.002 and the ROD 320.005 has never been faster, easier or more economical thanks to the DR735!

CPR	Order Number
2000	DR735-03
2500	DR735-01
5000	DR735-02

Contact Customer Service for other disk resolutions.



ROD320.002



ROD320.005



DR735

Encoders shown mounted on Siemens 1FT Series Simodrive

The Accu-Coder™ DR735 Features:

- Low profile (1.19") encoder body
- 2 piece construction; Unique "Stay in Place" shaft allows for easy removal of encoder
- 2000, 2500 and 5000 CPR available
- Line Driver output
- True flex arm mounting system makes installation easy and allows for insulation and isolation from vibration, extending the life of the encoder
- 17-pin connector at the end of 9" of cable
- Advanced Opto-ASIC technology for superior noise immunity
- Withstands temperatures up to 100° C

The Accu-Coder™ Advantage

- Get this encoder **FAST!**
- **Huge savings** in price!
- The accuracy, reliability, and quality that only come from an Accu-Coder™
- Industry Best **3-year** warranty!

ACCU-CODER™
by Encoder Products Company



DR735

Direct Replacement Encoder For Heidenhain ROD320

Model DR735 Specifications

Electrical

Input Voltage4.75 to 28 VDC (16 VDC Max at 100° C)
 Input Current100 mA max with no output load
 Output FormatIncremental- Two square waves in quadrature with channel A leading B for clockwise shaft rotation, as viewed from the mounting face.
 See *Waveform Diagram* below.
 Output Types.....Line Driver- 20 mA max per channel (Meets RS 422 at 5 VDC supply)
 Freq. Response.....200 kHz standard
 Noise Immunity.....Tested to BS EN61000-6-2; BS EN50081-2; BS EN61000-4-2; BS EN61000-4-3; BS EN61000-4-6, BS EN55011
 Quadrature67.5° electrical or better is typical, 54°
 Edge Separation electrical minimum at temperatures > 99° C
 Accuracy.....Within 0.01° mechanical from one cycle to any other cycle, or 0.6 arc minutes

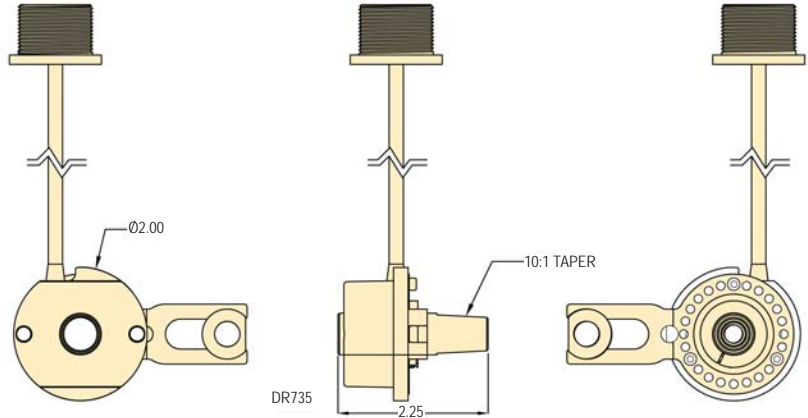
Mechanical

Max Shaft Speed...7500 RPM
 User Shaft Tolerances
 Radial Runout ...0.007" max
 Axial Endplay±0.030" max
 Starting Torque0.50 oz-in
 Moment of Inertia ..3.9 X 10⁻⁴ oz-in-sec²
 Max Acceleration ...1 X 10⁵ rad/sec²
 Electrical Conn9" cable (foil and braid shield, 24 AWG conductors) with 17-pin connector
 HousingBlack non-corrosive finish
 Mounting.....Flex Arm Mount standard
 Weight3.5 oz typical

Environmental

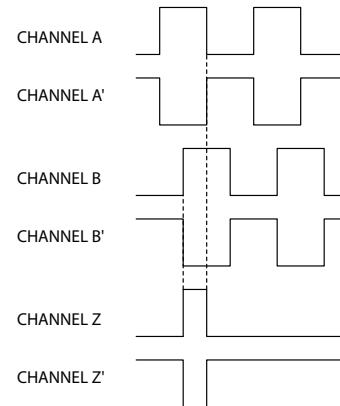
Operating Temp.....0° to 100°C
 Storage Temp.....-40° to +100° C
 Humidity98% RH non-condensing
 Vibration10 g @ 58 to 500 Hz
 Shock50 g @ 11 ms duration
 SealingIP64

DR735 Dimensions



DR735 Wiring Table

PIN	FUNCTION
A	CHANNEL A
B	CHANNEL B
C, J, K	+VDC
D	CHANNEL A'
E	CHANNEL B'
F	CHANNEL Z
G	CHANNEL Z'
H	SHIELD
N, P, T	COMMON
R, S	BRIDGE
L	N/C



This Direct Replacement Encoder provided by:



* Heidenhain is a trademark of Heidenhain Corporation
 Siemens and Simodrive are trademarks of Siemens AG