



RSL-2100

Miniature Xenon Flashlamp System



Excelitas' RSL-2100 miniature Xenon light source is ideally suited to UV-VIS-NIR applications

The RSL-2100 compact light source from Excelitas Technologies gives you all the benefits of a typical high power Xenon system in an ultra-compact package.

The RSL-2100 is a miniature, pulsed Xenon system with broadband spectrum from UV to NIR. The system operates at up to 2 watts and produces high peak intensities from 190-2000+ nm.

Similar to all pulsed Xenon systems, the RSL-2100 offers exceptional arc stability, microsecond flash duration and long life characteristics, making it an excellent choice for analytical instruments, machine vision systems, and applications where LEDs can't provide the required intensity.

Key Features

- Compact size
- High radiant intensity
- Continuous spectrum UV-VIS-IR
- Long life
- Customization is available for specific OEM needs

Applications

- Absorption analysis
- Immunoassay modules
- Fluorimetry
- Spectroradiometry
- Liquid and gas chromatography
- Colorimetry
- UV-VIS-NIR applications

EXCELITAS
TECHNOLOGIES

RSL-2100

Miniature Xenon Flashlamp System

RSL-2100

Electrical Input Specifications	
Parameter	Specification
Voltage	11-15 VDC
DC Current	325 mA Maximum RMS
Peak Current	1.0 Amps
Trigger	+5V, 20-50mA peak input, 10-100µs pulse width, leading edge trigger. Optically isolated internal series resistor = 150Ω.
Input Connector	4-Pin

Electrical Output	
Parameter	Specification
Voltage	600 ± 2% VDC Fixed
Power (Joules/sec)	2 watts max (power = joules x flash rate)
Standard Discharge Capacitor	0.047, 0.10, 0.22 µF
Flash Rate (Hz)	$F_{max} = 2/E$, where $E=1/2V^2$

Light Output	
Parameter	Specification
Spectral Range	190-2000+ nm
Stability ¹	<3% CV
Lifetime	>1x10 ⁸ Flashes

¹ CV or Coefficient of variation is defined as: $CV\% = (\text{Standard Deviation of 20 Flashes}) / (\text{Mean of 20 Flashes})$

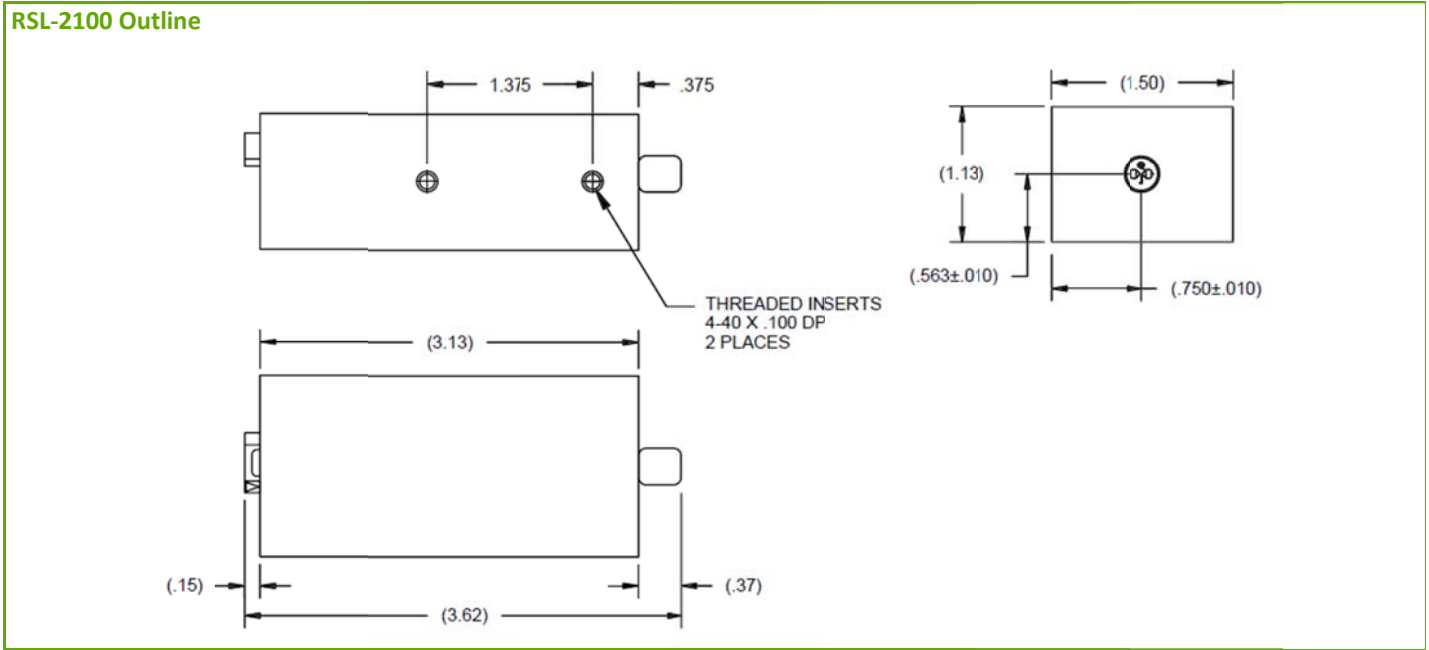
Environmental	
Parameter	Specification
Operating Temperature	32 to 104°F (0 to 40°C)
Storage Temperature	-40 to 194°F (-40 to 90°C)
Humidity	95% RH, non-condensing
Shock and Vibration	1.5G, 5-200 Hz (Mil-STD-810C)
Safety Compliance	Designed to meet EN60950

Operating Conditions		
Capacitor (µF)	Max Input/Flash (mJ)	Max Flash Rate @ 600 VDC (Hz)
0.22	40	50
0.10	18	111
0.047	8.5	235

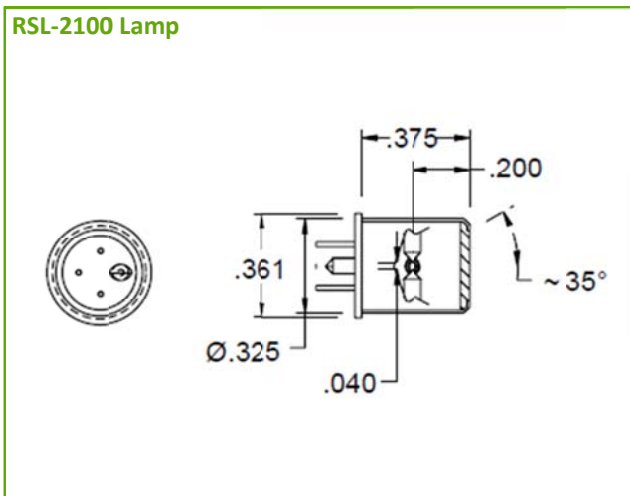
RSL-2100

Miniature Xenon Flashlamp System

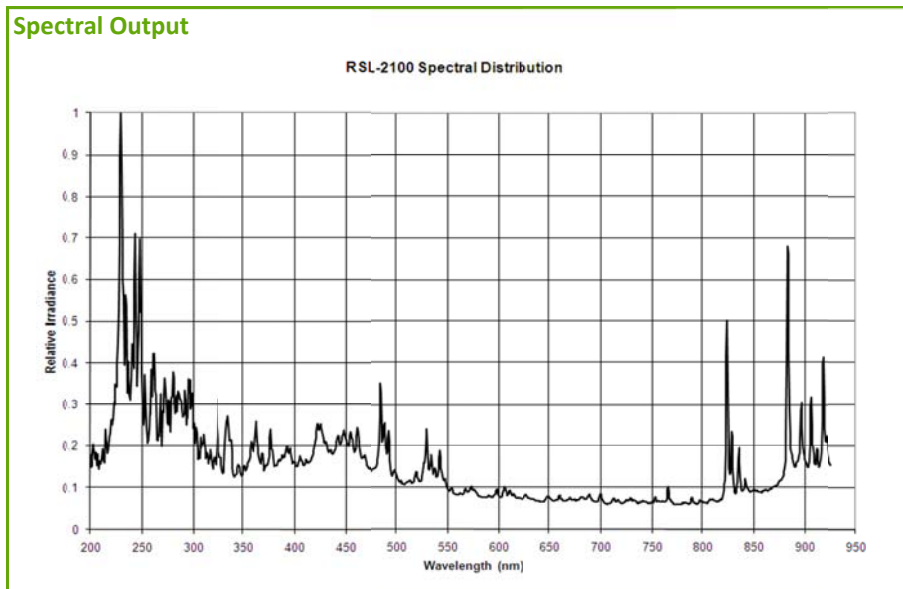
Mechanical Dimensions



RSL-2100 Lamp



Spectral Output



RSL-2100

Miniature Xenon Flashlamp System

Ordering Information: RSL-210A-B

Where

A = Spectral Distribution	0 = 250-2000+nm, 1 = 190-2000+nm
B = Discharge Capacitor	1 = 0.22μF, 2 = 0.10uF, 3 = 0.047uF

***Part Number Example:** RSL-2100-3. Spectral Distribution of 250-2000+nm with the 0.047 μF discharge capacitor

NOTE: All values are nominal; specifications subject to change without notice.

About Excelitas Technologies

Excelitas Technologies is a global technology leader focused on delivering innovative, customized solutions to meet the lighting, detection and other high-performance technology needs of OEM customers.

From medical lighting to analytical instrumentation, clinical diagnostics, industrial, safety and security, and aerospace and defense applications, Excelitas Technologies is committed to enabling our customers' success in their specialty end-markets. Excelitas Technologies has approximately 3,000 employees in North America, Europe and Asia, serving customers across the world.

Excelitas Technologies
35 Congress Street
Salem, Massachusetts
01970 USA
Telephone: (+1) 978.745.3200
Toll free: (+1) 800.950.3441
Fax: (+1) 978.745.0894

**Excelitas Technologies
LED Solutions, Inc.**
160 E. Marquardt Drive
Wheeling, Illinois
60090 USA
Telephone: (+1) 847.537.4277
Fax: (+1) 847.537.4785

**Excelitas Technologies
Illumination, Inc.**
44370 Christy Street
Fremont, California
94538-3180 USA
Telephone: (+1) 510.979.6500
Toll-free: (+1) 800.775.6786
Fax: (+1) 510.687.1140

**Excelitas Technologies
GmbH & Co. KG**
Wenzel-Jaksch-Straße 31
D-65199 Wiesbaden
Germany
Telephone: (+49) 611 492 430
Fax: (+49) 611 492 165

**Excelitas Technologies Shenzhen Co., Ltd.
Wearnes Technology Center**
No.10 Kefa Road, Science & Industry Park
Nanshan District,
Shenzhen, Guangdong
P.R. of China 518057
Telephone: +86 2655 3861
Fax: +86 755 2661 7311

For a complete listing of our global offices, visit www.excelitas.com/ContactUs

© 2011 Excelitas Technologies Corp. All rights reserved. The Excelitas logo and design are registered trademarks of Excelitas Technologies Corp. All other trademarks not owned by Excelitas Technologies or its subsidiaries that are depicted herein are the property of their respective owners. Excelitas reserves the right to change this document at any time without notice and disclaims liability for editorial, pictorial or typographical errors.

