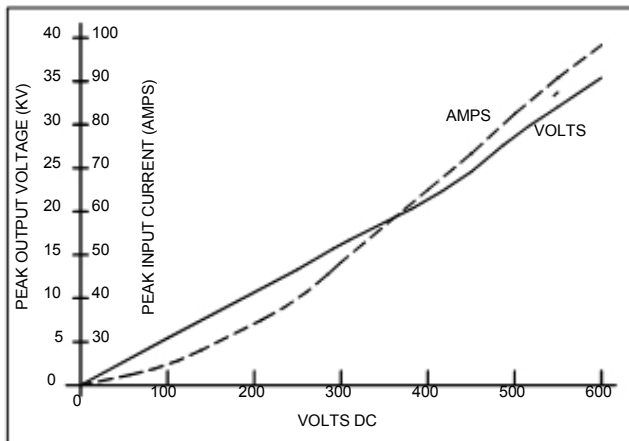


OUTLINE & MOUNTING DIMENSIONS

SPECIFICATIONS

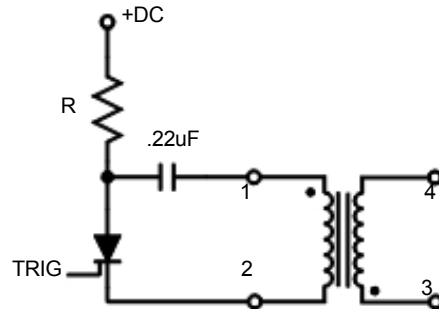
Maximum DC input	600 Volts
Primary peak current	96 Amps max.
Turns ratio (secondary to primary)	51:1
Hold-off voltage (secondary to primary)	15 KV DC

Output voltage	35 KV
Rise time, 10% - 90% 0.5uSec max.	
Pulse width 50% amplitude	0.5uSec min.



INPUT VS. OUTPUT

For more information email us at generalinquiries@excelitas.com or visit our website at www.excelitas.com
All values are nominal; specification subject to change without notice.



TYPICAL CIRCUIT

Worldwide Headquarters
Excelitas Technologies
44370 Christy Street
Fremont, CA 94538
Telephone: +1 510-979-6500
Toll Free (North America): +1 800-775-OPTO (6786)
Fax: +510-687-1140
generalinquiries@excelitas.com

Europe Headquarters
Excelitas Technologies
Wenzel-Jaksch-Str. 31
D-65199 Wiesbaden, Germany
Telephone: +49 611 492 430
Fax: +49 611 492 165

Asia Headquarters
Excelitas Technologies
47 Ayer Rajah Crescent #06-12
Singapore 139947
Telephone: +65 6770 2022
Fax: +65 6775 1008

EXCELITAS
TECHNOLOGIES