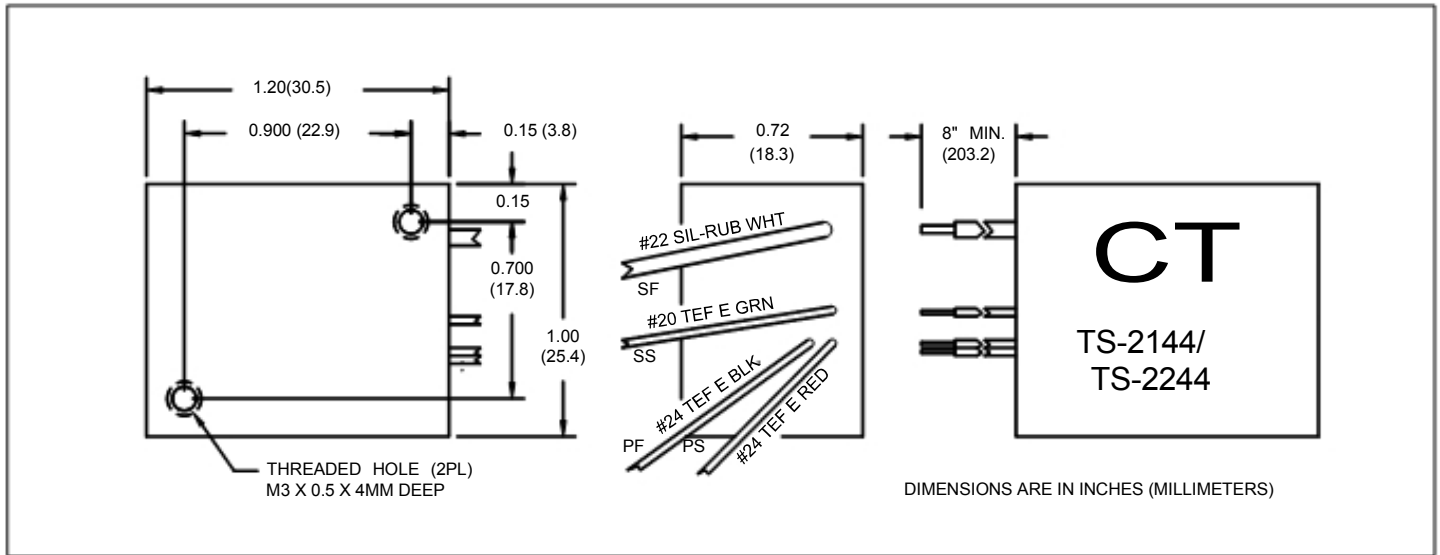


SERIES INJECTION TRANSFORMER

TR-2144 (NEGATIVE OUTPUT) TR-2244 (POSITIVE OUTPUT)

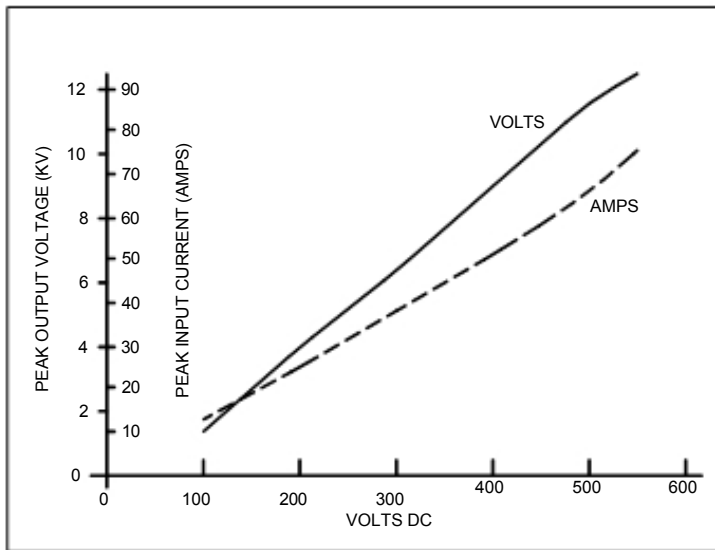


OUTLINE & MOUNTING DIMENSIONS

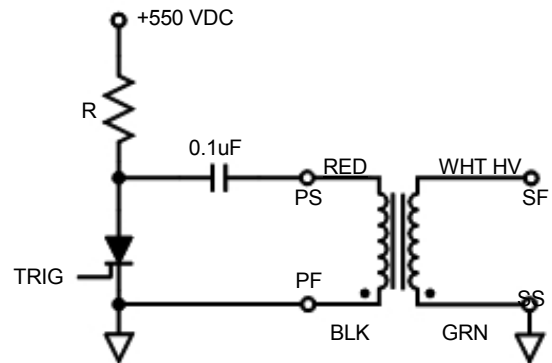
SPECIFICATIONS

Output voltage	12 KV min.
Rise time, 10%-90%	0.35 uSec max.
Pulse width 1/3 amplitude	0.5 uSec min.
Maximum DC input	550 Volts

Primary peak current	80 Amps max.
Turns ratio (secondary to primary)	32:1
Hold-off voltage (secondary to primary)	2 KV DC



INPUT VS. OUTPUT



TYPICAL CIRCUIT

For more information email us at generalinquiries@excelitas.com or visit our website at www.excelitas.com
All values are nominal; specification subject to change without notice.

Worldwide Headquarters
Excelitas Technologies
44370 Christy Street
Fremont, CA 94538
Telephone: +1 510-979-6500
Toll Free (North America): +1 800-775-OPTO (6786)
Fax: +510-687-1140
generalinquiries@excelitas.com

Europe Headquarters
Excelitas Technologies
Wenzel-Jaksch-Str. 31
D-65199 Wiesbaden, Germany
Telephone: +49 611 492 430
Fax: +49 611 492 165

Asia Headquarters
Excelitas Technologies
47 Ayer Rajah Crescent #06-12
Singapore 139947
Telephone: +65 6770 2022
Fax: +65 6775 1008

