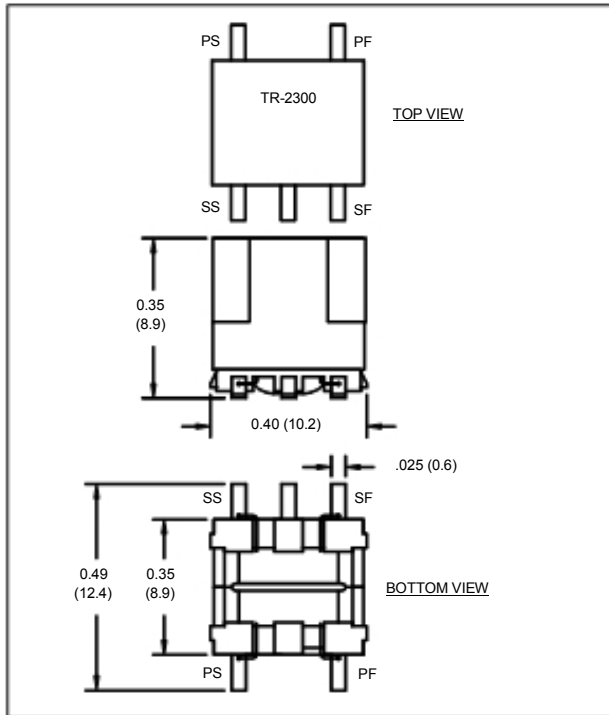
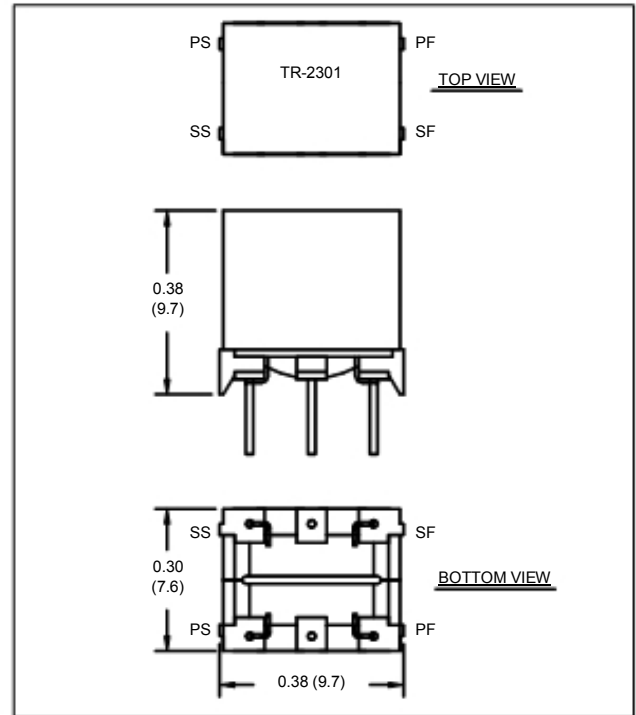


TR-2300 & TR-2301 TRIGGER TRANSFORMER



TR-2300 OUTLINE



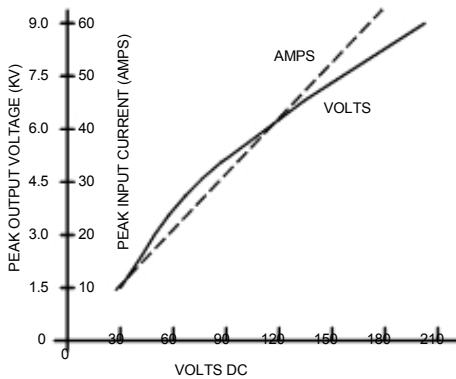
TR-2301 OUTLINE

SPECIFICATIONS

Maximum DC input	200 Volts
Primary peak current	80A @ 200V
Turns ratio (secondary to primary)	21:1
Hold-off voltage (secondary to primary)	4 KV DC
Primary Inductance	40 uH

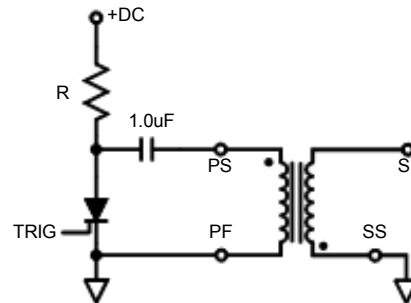
Output voltage	7 KV
Rise time 10%-90%	0.15 uSec max.
Pulse width 50% amplitude	0.35 uSec min.
Secondary DCR	14 ohms
Secondary Inductance	22 mH

* for triggering Mini-Triggered Spart Gaps



INPUT VS. OUTPUT

For more information email us at generalinquiries@excelitas.com or visit our website at www.excelitas.com
All values are nominal; specification subject to change without notice.



TYPICAL CIRCUIT

Worldwide Headquarters
Excelitas Technologies
44370 Christy Street
Fremont, CA 94538
Telephone: +1 510-979-6500
Toll Free (North America): +1 800-775-OPTO (6786)
Fax: +510-687-1140
generalinquiries@excelitas.com

Europe Headquarters
Excelitas Technologies
Wenzel-Jaksch-Str. 31
D-65199 Wiesbaden, Germany
Telephone: +49 611 492 430
Fax: +49 611 492 165
Email: opto.Europe@excelitas.com

Asia Headquarters
Excelitas Technologies
47 Ayer Rajah Crescent #06-12
Singapore 139947
Telephone: +65 6770 2022
Fax: +65 6775 1008

EXCELITAS
TECHNOLOGIES