

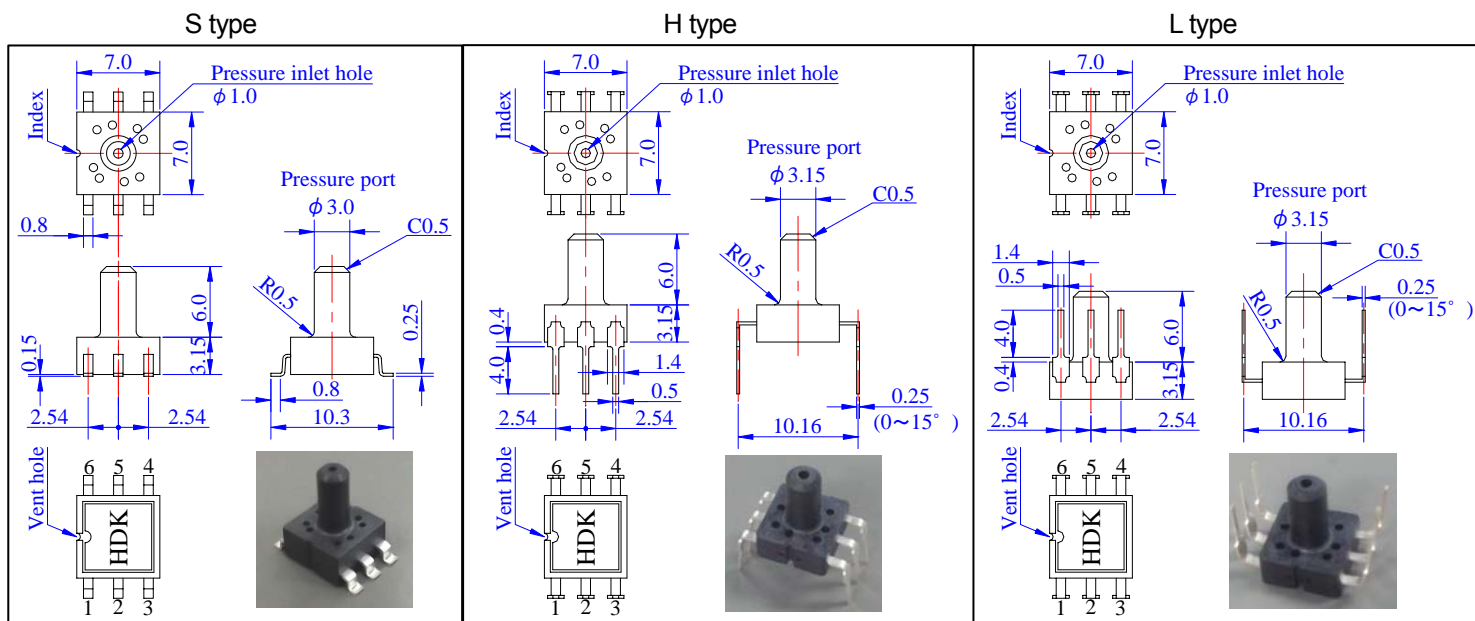


Pressure Sensor

Model No. HPD-40GF

Our pressure sensor which applied piezo-resistive effect on MEMS technology as a core, has been mass-produced and shipped more than 40 million pieces since 1993. We have gained high reputation for long-nurtured piezo resistor technology as sensor of high performance and high reliability.

- Application Electronic blood pressure meter, Medical equipment, Industrial measurement, Industrial air-conditioning equipment
- Outline Dimension



Basic specification

Maximum Rating

Item	Rating	Unit	Remark
Pressure Type	Gauge pressure		
Pressure Media	Non-corrosive gas		
Maximum Applicable Pressure	2 × rated pressure	kPa	
Maximum Drive Current	3mA DC	mA	
Operating Temperature Range	-5 ~ +50	°C	
Storage Temperature Range	-20 ~ +70	°C	

Electrical Characteristics (I_{cc}=1.5mA, T_a=25°C)

Item	Rating			Unit	Remark
	Min.	Typ.	Max.		
Rated Pressure	0	-	40	kPa	
Drive Current	-	1	-	mA	
Bridge Resistance	-	5	-	kΩ	
Offset Voltage	-10	-	10	mV	
Span Voltage	60	75	90	mV	
Pressure Linearity	-0.15	-	0.15	%FS	
Pressure Hysteresis	-0.3	-	0.3	%FS	
Offset Voltage Temperature Characteristics	-5	-	5	%FS	0~50°C
Span Voltage Temperature Characteristics	-2	-	2	%FS	0~50°C