



### Features

- Adjustable zero and span
- Accuracy better than +/- 0.5%
- DyMax™ coated stainless steel wetted parts
- 4 - 20 mA output
- 0 - 500 to 0 - 30,000 psi
- Internal 80% shunt calibration

### Benefits

- Repeatable, reliable pressure measurements
- Superior abrasion resistance
- Direct input to supervisory control systems
- Wide variety of pressure ranges
- Easy to install and set-up

### Description

The PT46X4 Series transmitter is a +/- 0.5% sensor ideal for general melt pressure measurements requiring simple installation, repeatability and reliability. The PT46X4 transmitters provide the industry standard 4 - 20 mA amplified signal designed to work with DCS and PLCs. The PT46X4 comes equipped with adjustable zero and span pots. Optional thermocouple or RTD configurations are available to provide melt temperature. The PT46X4 features a 1/2-20 UNF thread for simple and easy installation in standard transducer mounting holes.

### Specifications

#### PERFORMANCE CHARACTERISTICS

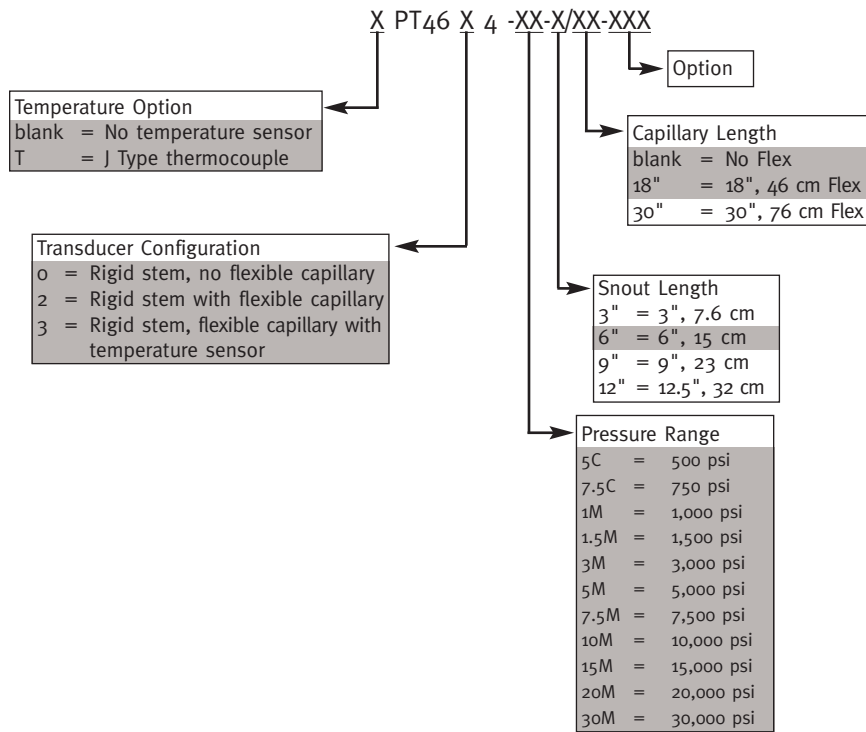
**Output:** 4 - 20 mA  
**Input Voltage:** 14 - 36 Vdc  
**Combined Error:** +/- 0.5% FSO,  
 (Including Linearity, Repeatability & Hysteresis)  
**Repeatability:** +/- 0.2%FSO  
**Configuration:** Four-arm bonded foil Wheatstone bridge strain gage  
**Load Resistance:** 0 - 1,100 Ohms  
**Over Pressure:** 2 X FSO or 35,000 psi (whichever is less)  
**Internal Shunt Calibration (R-Cal):** 80% FSO +/- 0.5%  
**Insulation Resistance:** 1000 megohms @ 50 Vdc

#### TEMPERATURE & MECHANICAL CHARACTERISTICS

**Max Diaphragm Temperature:** 750°F (400°C)  
**Zero Shift (due to temperature change):**  
 25 psi/100°F Typical (45 psi/100°C)  
**Electronics Operating Temperature:**  
 -20°F to 185°F (-25°C to 85°C)  
**Zero Shift Due to Temperature Change:**  
 +/- 0.05% FS/°F max (+/- 0.10% FS/°C max)  
**Mounting Torque:** 500 inch/lbs. maximum  
**Standard Wetted Parts:** DyMax™ coated 15-5 PH SST



## Ordering Guide



Standard mating connector Dynisco P/N 711600 or 6-pin mating cable assembly.

Shaded sections refer to standard configurations. Accuracy may be affected if non-standard configurations are used. For additional options please consult factory.

**Dynisco LLC**  
 38 Forge Parkway  
 Franklin, MA 02038 (USA)

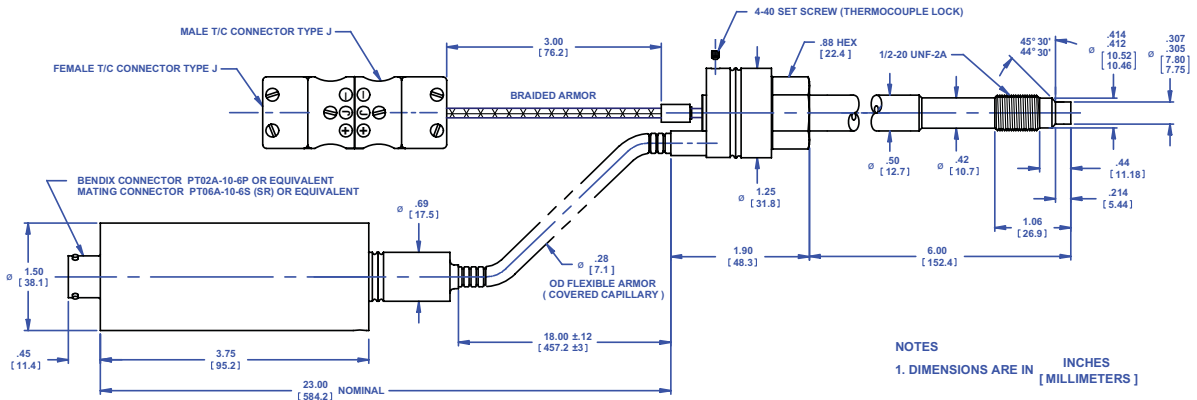
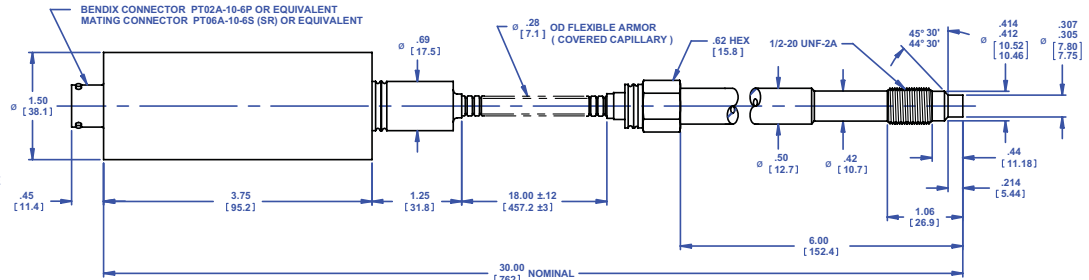
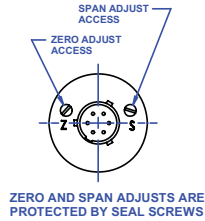
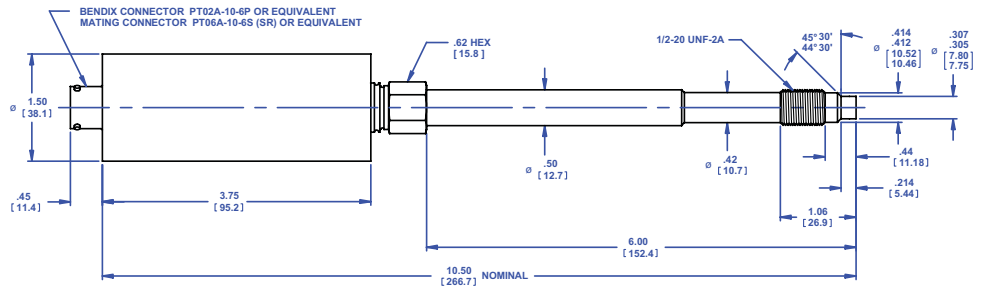
Phone +1 508 541 9400  
 Fax +1 508 541 6206  
 Email infoinst@dynisco.com

Hotline 1-800-Dynisco

[www.dynisco.com](http://www.dynisco.com)



CONNECTOR WIRING	
PIN	FUNCTION
A	SIGNAL + / EXCITATION +
B	SIGNAL - / EXCITATION -
C	NO CONNECTION
D	NO CONNECTION
E	INTERNAL CAL RESISTOR
F	INTERNAL CAL RESISTOR



All dimensions are inches (mm).