



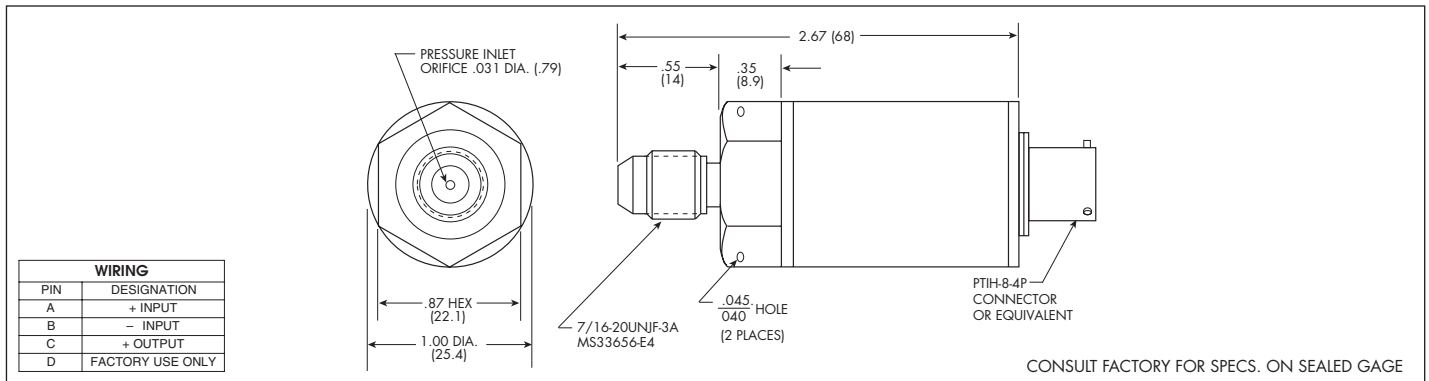
## 5 VDC OUTPUT HIGH ACCURACY MICROPROCESSOR CORRECTED AIRCRAFT IS® PRESSURE TRANSDUCER APTE-DC-1100 SERIES

- 5 VDC Microprocessor Corrected Output
- Rugged All Welded Construction
- Certified For TSO C-47 or Equivalent
- Excellent Long Term Stability
- Analog Output
- High Overload Capabilities
- Intrinsically Safe Applications Available (i.e. IS-APTE-DC-1100)



The ingenious application of modern solid state technology to pressure sensing makes the APTE-DC-1100 Series the most advanced pressure transducer available of its class. Designed to measure liquid or gas pressure, the transducer is of all-welded stainless steel construction, with integral pressure port and isolation diaphragm. The APTE-DC-1100 provides an extremely rugged, accurate and inexpensive means for pressure-to-voltage conversion. The output, and the ability to withstand high voltages between leads and case make the APTE-DC-1100 Series Transducers ideally suited for aerospace and a large number of industrial applications.

The APTE-DC-1100 is a 5 volt unit containing a hybrid microelectronic microprocessor correction amplifier and regulator within the all welded case.



<b>INPUT</b>	1.7	3.5	7	17	35	70	170	350 BAR
Pressure Range	25	50	100	250	500	1000	2500	5000 PSI
Operational Mode	Absolute, Sealed Gage							
Over Pressure	2 Times Rated Pressure							
Burst Pressure	5 Times Rated Pressure Range to a Maximum of 20000 PSI (1400 BAR)							
Pressure Media	Any Liquid or Gas Compatible With 15-5 PH or 316 SS							
Rated Electrical Excitation	12 ± 4 VDC or 28 ± 4 VDC (Reverse Polarity Protection Available Upon Request)							
Maximum Electrical Current	25 mA (Max.)							
<b>OUTPUT</b>	50 Ohms (Typ.)							
Output Impedance	5 VDC							
Full Scale Output (FSO)	0.5V							
Residual Unbalance	± 0.2% (Typ.) (±0.4% Typ. for 25 PSI (1.7 BAR) (End Point Settings, Combined Non-Linearity, Hysteresis, Repeatability and All Thermal Effects Included)							
Total Error Band	DC to 2500 Hz							
Bandwidth (-3dB)	Infinitesimal							
Resolution	100 Megohm Min. @ 50 VDC							
Insulation Resistance	-40°F to +280°F (-40°C to +140°C)							
<b>ENVIRONMENTAL</b>	-40°F to +250°F (-40°C to +120°C)							
Operating Temperature Range	50g Peak, Sine 10 to 2000 Hz							
Compensated Temperature Range	-150 ft. to +70,000 ft. Will Not Damage Sensor							
Linear Vibration	100% Relative Humidity							
Altitude	100g half Sine Wave 1 msec. Duration							
Humidity	A. 33656/E4 7/16-20 UNJF-3A    B. 1/4"-18 NPT Male    C. Other Ports Available							
Mechanical Shock	PTIH-8-4P or Equivalent							
<b>PHYSICAL</b>	120 Grams Approx.							
Pressure Port	Fully Active Four Arm Wheatstone Bridge Dielectrically Isolated Silicon on Silicon							
Electrical Connection	80-100 Inch-Pounds (Max.)							
Weight								
Pressure Sensing Principle								
Mounting Torque								

Note: Custom pressure ranges, accuracies and mechanical configurations available. Dimensions are in inches. Dimensions in parenthesis are in millimeters.

Continuous development and refinement of our products may result in specification changes without notice - all dimensions nominal. (H)