

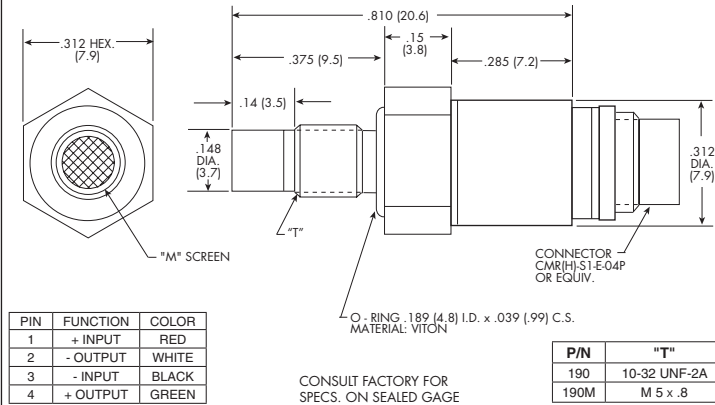
## RUGGEDIZED AUTOMOTIVE IS® PRESSURE TRANSDUCERS

### XTL-142B-190 (M) SERIES XTL-142C-190 (M) SERIES

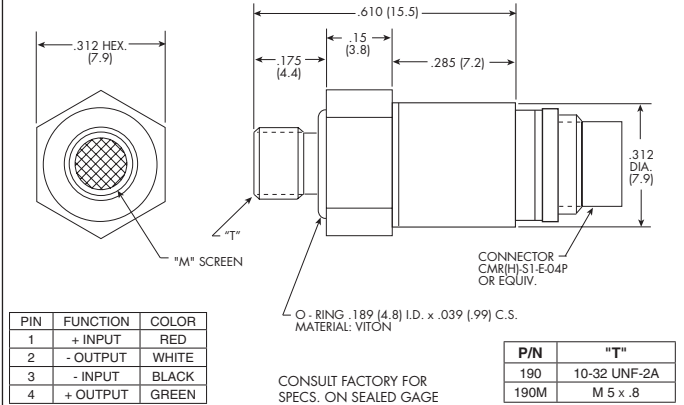
- Easy Installation With Integral Connector
- High Natural Frequency
- 10-32 UNF or M 5 x .8 Thread
- Wide Temperature Range
- Compatible With All Automotive Fluids
- Intrinsically Safe Patented Leadless Technology Applications Available (i.e. IS-XTL-142B-190 or IS-XTL-142C-190)



#### XTL-142B-190



#### XTL-142C-190



INPUT Pressure Range	1.0 15	1.7 25	3.5 50	7 100	17 250	35 500	70 1000	210 BAR 3000 PSI
Operational Mode	Absolute, Sealed Gage							
Over Pressure	2 Times Rated Pressure to a Maximum of 4500 PSI (315 BAR)							
Burst Pressure	3 Times Rated Pressure to a Maximum of 4500 PSI (315 BAR)							
Pressure Media	All Nonconductive, Noncorrosive Liquids or Gases (Most Conductive Liquids and Gases - Please Consult Factory)							
Rated Electrical Excitation	10 VDC							
Maximum Electrical Excitation	15 VDC							
Input Impedance	1000 Ohms (Min.), 5000 Ohms (Max.)							
OUTPUT Output Impedance	1000 Ohms ± 500 Ohms							
Full Scale Output (FSO)	100 mV ± 10 mV							
Residual Unbalance	± 5 mV (Typ.)							
Combined Non-Linearity, Hysteresis and Repeatability	± 0.1% FSO BFSL (Typ.), ± 0.5% FSO (Max.)							
Resolution	Infinitesimal							
Natural Frequency (KHz) (Typ.)	Greater Than 175 KHz							
Acceleration Sensitivity % FS/g Perpendicular	6.5x10 <sup>-4</sup>	5.0x10 <sup>-4</sup>	3.0x10 <sup>-4</sup>	1.5x10 <sup>-4</sup>	1.0x10 <sup>-4</sup>	6.0x10 <sup>-5</sup>	4.5x10 <sup>-5</sup>	2.0x10 <sup>-5</sup>
Transverse	1.0x10 <sup>-4</sup>	6.0x10 <sup>-5</sup>	4.0x10 <sup>-5</sup>	2.0x10 <sup>-5</sup>	9.0x10 <sup>-6</sup>	6.0x10 <sup>-6</sup>	3.0x10 <sup>-6</sup>	2.0x10 <sup>-6</sup>
Insulation Resistance	100 Megohm Min. @ 50 VDC							
ENVIRONMENTAL Operating Temperature Range	-65°F to +400°F (-55°C to +204°C)							
Compensated Temperature Range	-40°F to +350°F (-40°C to +175°C)							
Thermal Zero Shift	± 1% FS/100°F (Typ.)							
Thermal Sensitivity Shift	± 1% /100°F (Typ.)							
Linear Vibration	100g Peak, Sine Up to 5000 Hz							
Humidity	100% Relative Humidity							
Mechanical Shock	100g half Sine Wave 11 msec. Duration							
PHYSICAL Electrical Connection	Connector CMR(H)-S1-E-04P or Equivalent (Mating Connector Supplied With 3 Feet of Cable)							
Weight	5 Grams (Nom.) Excluding Cable							
Pressure Sensing Principle	Fully Active Four Arm Wheatstone Bridge Dielectrically Isolated Silicon on Silicon Patented Leadless Technology							
Mounting Torque	15 Inch-Pounds							

Note: Custom pressure ranges, accuracies and mechanical configurations available. Dimensions are in inches. Dimensions in parenthesis are in millimeters.

Continuous design and development of our products serves the specific needs of our customers. [www.sensor-ic.com/](http://www.sensor-ic.com/) TEL: 0755-83376489 FAX: 0755-83376182 E-MAIL: szss20@163.com