

REV.	DCO'S AFFECTING THIS DRAWING	DATE	APPROVED
A	INITIAL REL.# 2171	10/25/05	CA

ALL SPECIFICATIONS APPLY AT 1013 MILLBAR, 25°C, DRY AMBIENT AIR.

1. Output:
25mV to 35mV, dry ambient air
2. Operating Temperature:
10° C to 45° C
3. Maximum Storage Temperature:
-20° C to 50° C
(Recommended: 5° C to 30° C)
4. Electrical Connector:
gold plated slip rings
5. Range of Measurement (Full Scale):
0 to 100% oxygen
6. Zero Offset:
Less than or equal to 0.20 mV when exposed to 100% nitrogen, applied for 5 minutes
7. 90% Response Time:
Less than or equal to 17 seconds
@ flow range of 0.2 to 2.0 L/min
8. Linearity:
Within ± 2.0% of full scale applied for 5 min.
9. Stability:
Less than 1% of full scale over an 8 hour period at constant temperature, pressure, and humidity.
(between 20% - 100% oxygen)
10. Interference:
Less than 0.3% of full scale in presence of 80% Nitrous oxide
Less than 0.3% of full scale in presence of 7.5% Halothane
Less than 0.3% of full scale in presence of 7.5% Isoflurane
Less than 0.3% of full scale in presence of 7.5% Enflurane
Less than 0.3% of full scale in presence of 7.5% Sevoflurane
Less than 0.3% of full scale in presence of 20% Desflurane
Less than 0.3% of full scale in presence of 10% Carbon Dioxide
11. Temperature Compensation:
NTC
12. Expected Life:
>500,000% oxygen hours under normal operating conditions
13. Humidity:
5% to 95% Relative Humidity non-condensing
14. Warm-up Time:
Less than 30 minutes, after replacement of sensor.

AUTHORIZED COPY
OCT 25 2005
EFFECTIVE DATE
VALID ONLY IF THIS STAMP IS RED

UNLESS OTHERWISE SPECIFIED DIMENSIONS ARE IN INCHES AND PER ANSI Y14.5-1982		mactec® SALT LAKE CITY, UTAH 84107	
.XX = ±.01	ANGLES ±1'30"	SPECIFICATION, MAX-43 OXYGEN SENSOR	
.XXX = ±.005		SIZE	FSCM NO. NUMBER
.XXXX = ±.002		B	1S815 R109P08
PREP 10-25-05 Kevin Durst	11/05/04	SCALE: 1:1	REV A
CHKR 14 Oct 2005	13 Oct 2005	SHEET 1 OF 1	
ENG 13 Oct 2005			

4

3

2

1

D

C

B

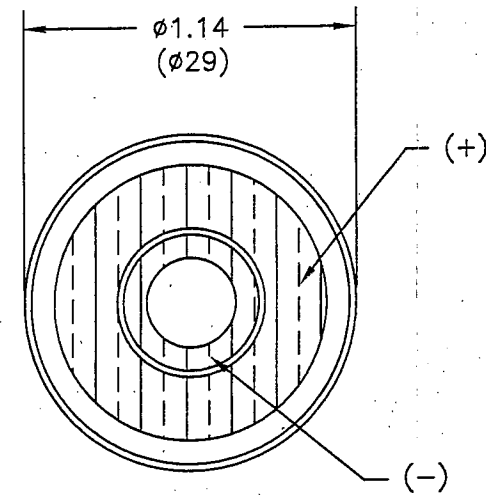
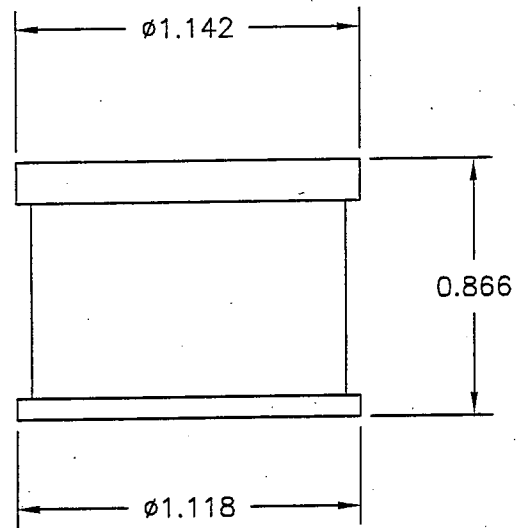
A

D

C

B

A R109P08 A



NOTE:

1. DIMENSIONS IN INCH (mm)

AUTHORIZED COPY
~~OCT 25 2005~~
EFFECTIVE DATE
VALID ONLY IF THIS STAMP IS RED

SIZE	FSCM NO.	NUMBER	REV
B	1S815	R109P08	A
SCALE NONE		SHEET 2 OF 2	

4

3

1