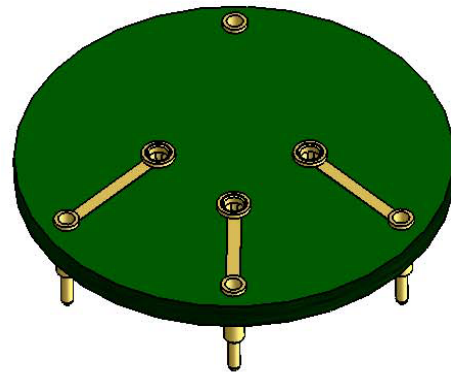
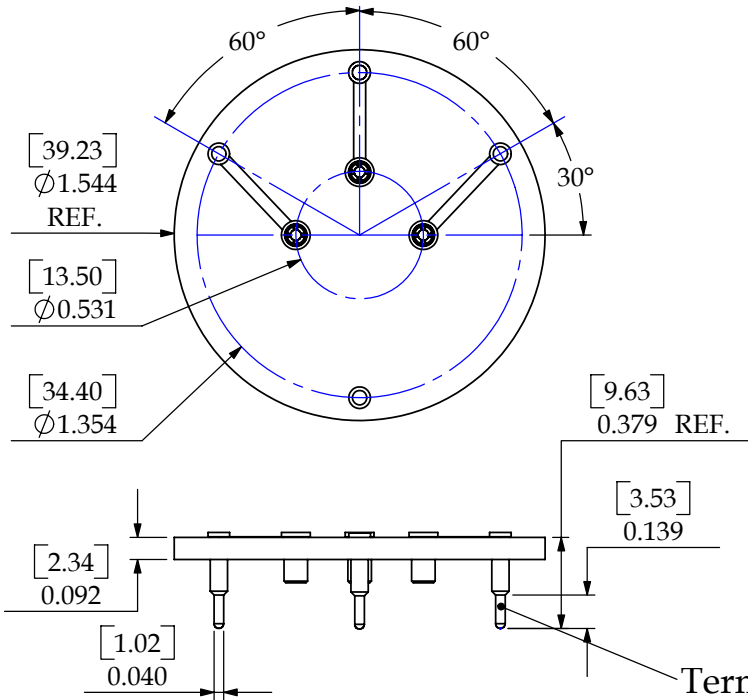




MEMBRAPOR SERIES 4 TO SERIES 3 ADAPTER



Andon Electronic Corporation's
RA530-0304-02-440P55-R27-X14
Sensor Socket Adapter for
Membrapor Miniature Sensors

Terminal Pin (no contact)

TECHNICAL INFORMATION

Description:

The Membrapor Miniature Sensor plugs into the -440P55 Terminals on this socket and converts the Series 4 pin layout to the Series 3 pin layout.

Andon Part Number:

RA530-0304-02-440P55-R27-X14

Material:

Insulator: FR-4
 Terminal: Brass, per ASTM-B16
 Contact: BeCu, per ASTM-B194

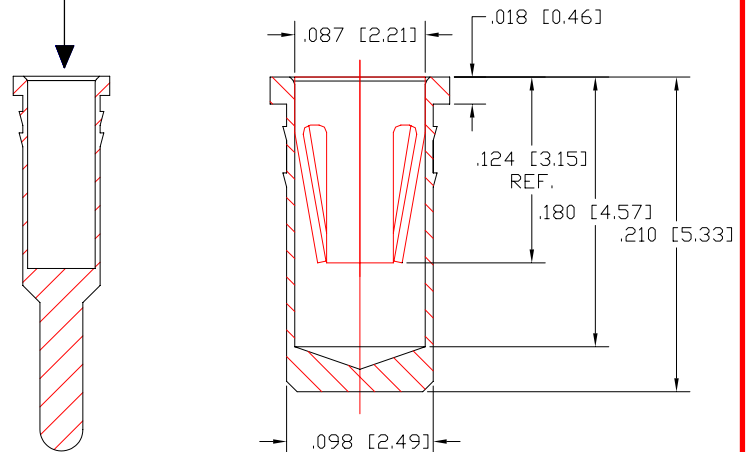
Forces:

Insertion: 15.52 oz [440 g] Max
 Withdrawal: 2.12 oz [60 g] Min
 Acceptable Pin Range: .048 [1.22] - .064 [1.63]
 Dia Pins

Plating:

Terminal: Gold, 10 μ in. Minimum
 Contact: Gold, 10 μ in. Minimum

-440P55 Terminal Data



Dimensions are shown in Inches [Millimeters] We reserve the right to change specifications without notice.
 ©Copyright 2008 Andon Electronics Corporation. All Rights Reserved. This material is protected under U.S. and other copyrights
 and may not be copied, sold or redistributed in any form without the written permission of Andon Electronics Corporation.

MMPRRA43DS
041408

ANDON ELECTRONICS CORPORATION
4 COURT DRIVE LINCOLN, RI 02865 USA

TEL: (401) 333-0388 FAX: (401) 333-0287
 EMAIL: Info@andonelect.com
 WEB: www.andonelect.com

MEMBRAPOR Electrochemical Gas Sensors

TEL: +41 43 311 72 00 FAX: +41 43 311 72 01
 EMAIL: Info@membrapor.ch
 WEB: www.membrapor.ch