

Datasheet Heimann Sensor Integrated Thermopile Module Internal Mirror Optics Type „HTIA-D“

*General information about HTIA models are described in
"Datasheet HEIMANN Sensor Integrated Module HTIA" .*

Operating Conditions

<i>Parameter</i>	<i>Typical Value</i>	<i>Unit</i>	<i>Condition</i>
Supply voltage VDD	4.5 .. 5 .. 5.5	V	+Vs
Supply voltage VSS	0	V	-Vs , Ground
Supply current	1 .. 1.7 .. 2.2	mA	Without load
Output voltage range	0.3 .. VDD-0.3	V	
Start up time after POR	Max. 0.5	sec	Electrical start up
Output resistance	< 10	Ohm	F < 100Hz
Output load	> 20	kOhm	For optimal operation
Sensor absorbing area	0.6 x 0.6	mm ²	Type TP1
Object temperature range	-30 .. +500	°C	Dep. on measuring conditions related adjustments
Sensor amplification	150 .. 5500		Output AOT
Response time sensor	5	msec	t/T = 63%
Temperature reference voltage at 25°C	1.225	V	output AOR
Sensitivity temperature reference	15 (10 .. 16)	mV/°C	Linear ; output AOR ; type "U" (type "C")
Operating temperature	-20.. 120	°C	

HEIMANN Sensor GmbH
Grenzstr. 22
D-01109 Dresden
Rohrbergstr. 7
D-65343 Eltville

Managing Director
Dr. J. Schieferdecker
Reg. at District Court
Dresden HRB20692
VAT-ID DE813444739

Internet: www.heimannsensor.com
Mail: info@heimannsensor.com
Phone 49 (0) 6123 60 50 30
Fax 49 (0) 6123 60 50 39

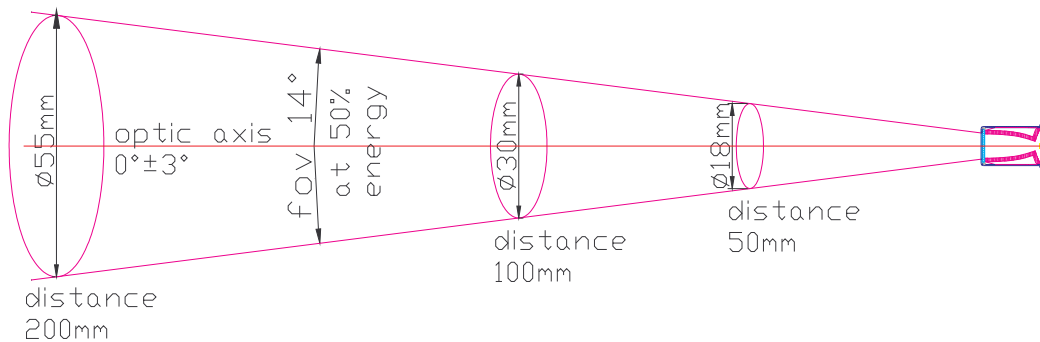
Datasheet Heimann Sensor Integrated Thermopile Module

Internal Mirror Optics Type „HTIA-D“

Field of View - Data

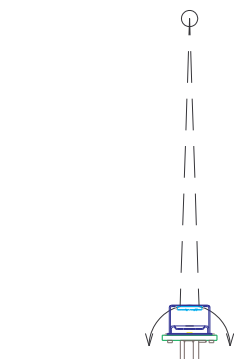
parameter	limits			unit	conditions
	Min	Typ	Max		
field of view	12	14	16	degree	50% energy points

Field of View - Drawing

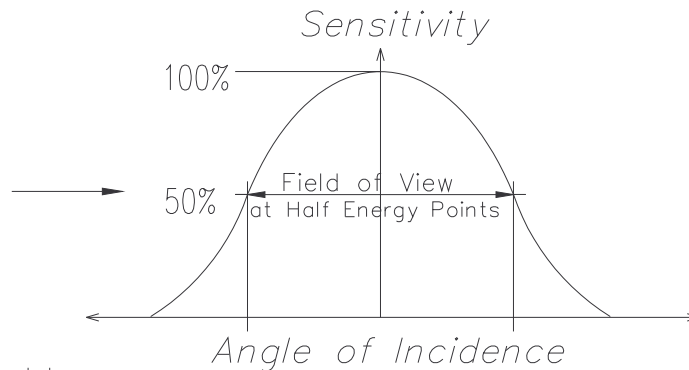


Field of View – Definition and Test Procedure

Pulsed Point Radiation Source



Rotated Sensor Module



HEIMANN Sensor GmbH
Grenzstr. 22
D-01109 Dresden
Rohrbergstr. 7
D-65343 Eltville

Managing Director
Dr. J. Schieferdecker
Reg. at District Court
Dresden HRB20692
VAT-ID DE813444739

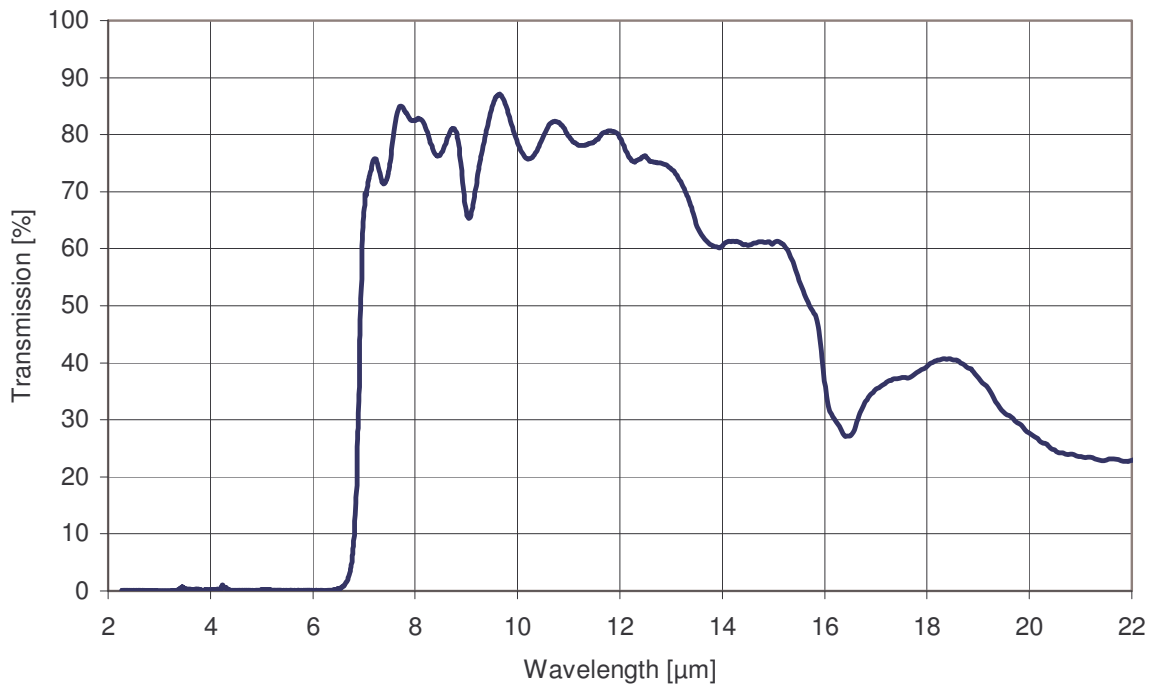
Internet: www.heimannsensor.com
Mail: info@heimannsensor.com
Phone 49 (0) 6123 60 50 30
Fax 49 (0) 6123 60 50 39

Datasheet Heimann Sensor Integrated Thermopile Module

Internal Mirror Optics Type „HTIA-D“

Mounting Arrangement

<i>parameter</i>	<i>minimum</i>	<i>typical</i>	<i>maximum</i>
Cut on wavelength	6.3μm	6.6μm	6.9μm
Average transmission from 8μm to 13.5μm	70%		
Average transmission from visual to 6μm			0.5%



HEIMANN Sensor GmbH
 Grenzstr. 22
 D-01109 Dresden
 Rohrbergstr. 7
 D-65343 Eltville

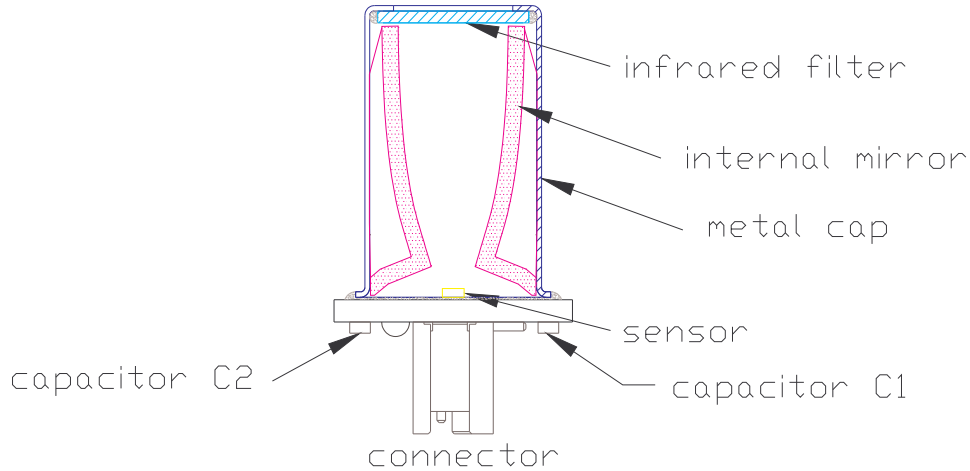
Managing Director
 Dr. J. Schieferdecker
 Reg. at District Court
 Dresden HRB20692
 VAT-ID DE813444739

Internet: www.heimannsensor.com
 Mail: info@heimannsensor.com
 Phone 49 (0) 6123 60 50 30
 Fax 49 (0) 6123 60 50 39

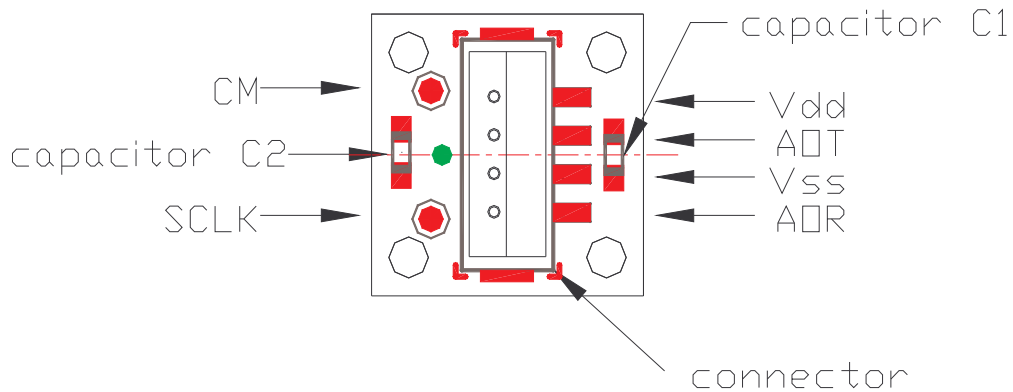
Datasheet Heimann Sensor Integrated Thermopile Module

Internal Mirror Optics Type „HTIA-D“

Mounting Arrangement



Pin / Device Configuration



- Vdd : -> Positive supply voltage (+5V)
- Vss : -> Negative supply voltage (Ground, 0V)
- AOT: -> Analog sensor output voltage
- AOR: -> Analog temperature reference output
- CM, SCLK : -> Digital, programming, adjustments
- C1: -> optional capacitor connected to Vdd and Vss
- C2: -> optional capacitor for additional low pass filtering

HEIMANN Sensor GmbH
 Grenzstr. 22
 D-01109 Dresden
 Rohrbergstr. 7
 D-65343 Eltville

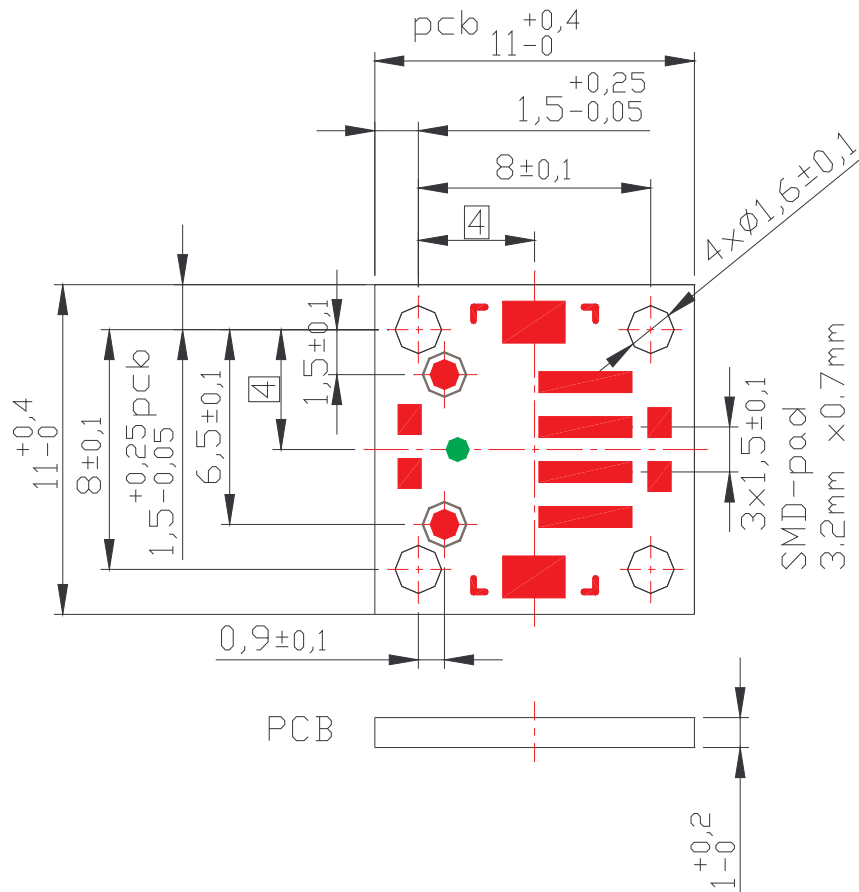
Managing Director
 Dr. J. Schieferdecker
 Reg. at District Court
 Dresden HRB20692
 VAT-ID DE813444739

Internet: www.heimannsensor.com
 Mail: info@heimannsensor.com
 Phone 49 (0) 6123 60 50 30
 Fax 49 (0) 6123 60 50 39

Datasheet Heimann Sensor Integrated Thermopile Module

Internal Mirror Optics Type „HTIA-D“

Dimensional Drawing PCB 11x11



HEIMANN Sensor GmbH
Grenzstr. 22
D-01109 Dresden
Rohrbergstr. 7
D-65343 Eltville

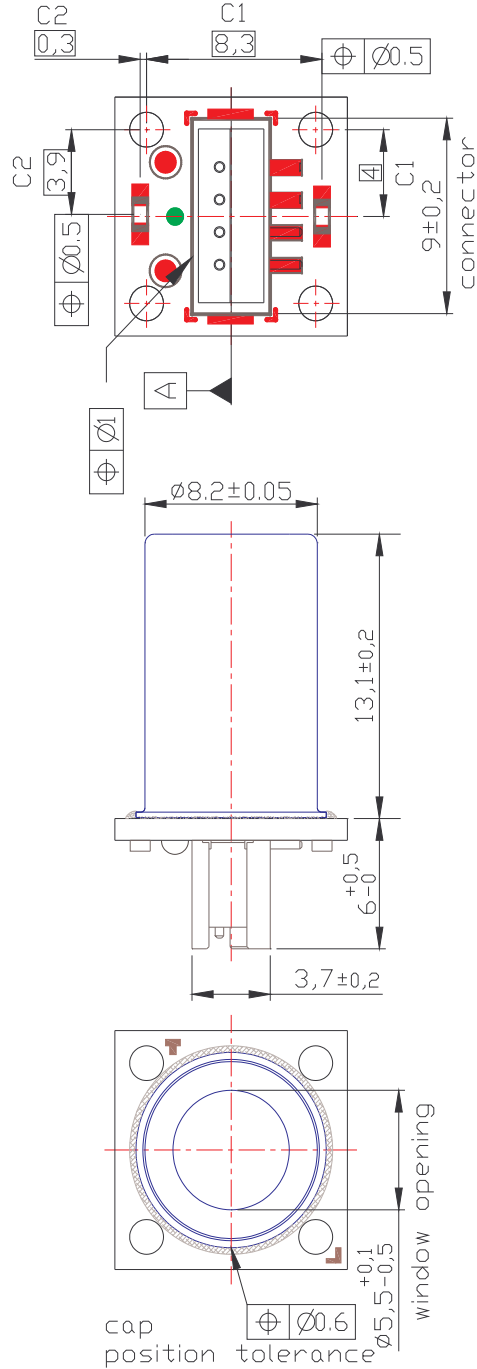
Managing Director
Dr. J. Schieferdecker
Reg. at District Court
Dresden HRB20692
VAT-ID DE813444739

Internet: www.heimannsensor.com
Mail: info@heimannsensor.com
Phone 49 (0) 6123 60 50 30
Fax 49 (0) 6123 60 50 39

Datasheet Heimann Sensor Integrated Thermopile Module

Internal Mirror Optics Type „HTIA-D“

Dimensional Drawing Sensor Module



HEIMANN Sensor GmbH
 Grenzstr. 22
 D-01109 Dresden
 Rohrbergstr. 7
 D-65343 Eltville

Managing Director
 Dr. J. Schieferdecker
 Reg. at District Court
 Dresden HRB20692
 VAT-ID DE813444739

Internet: www.heimannsensor.com
 Mail: info@heimannsensor.com
 Phone 49 (0) 6123 60 50 30
 Fax 49 (0) 6123 60 50 39