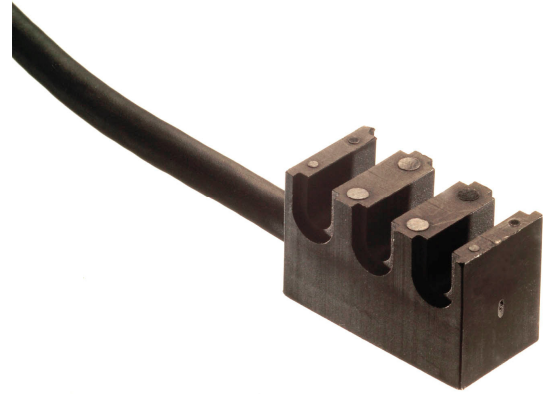


# ED-30 Incremental Linear Decoder

The ED-30 Series Incremental Linear Disposition Sensors are designed for demanding OEM applications requiring low-cost linear position feedback. The ED-30 series sensor provides resolutions of 0.08mm and 0.04mm. Magnetic tapes are available from Measurement Specialties, upon request. Slew rates of up to five meters per second are possible without dropping counts.



Designed to operate in manufacturing environments, the sensor is unaffected by dust, dirt, oil and changing ambient light conditions. Magnetic tape may be purchased in any length, as determined by the application requirements.

## dimensions

### FEATURES

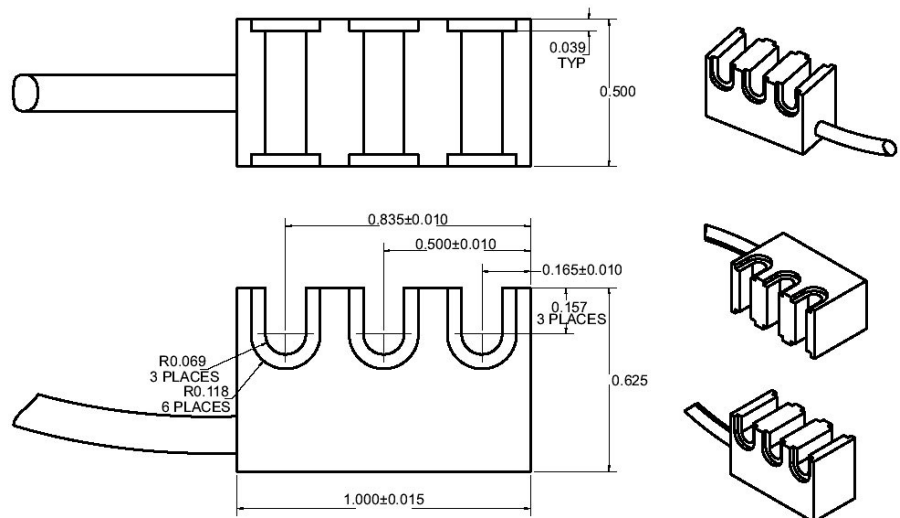
- Sealed IP67
- Low Power
- Low Cost
- No Range Limit
- Easy Installation and Setup
- Tolerates Hostile Environments

### OPTIONS

- Aluminum or Plastic Housing
- Regulated Input
- Various Outputs (see spec. table)

### APPLICATIONS

- Medical Pumps
- String Pot Replacement
- XY Tables
- Web Control
- Hydraulic Cylinder Position
- Table Saw Position



# ED-30 Incremental Linear Decoder

## Performance Specifications

Operating Voltage	5V +/- 5% 24V +/-20%
Output	Open Collector with internal 10k pull-up TTL Differential Line Driver
Reference	With or Without Periodic Index
Resolution	.02mm .04mm
Repeatability	+/- 1 increment
Power Consumption	40mA max @ 24V unloaded Low power option 7mA typical @ 5V unloaded Open Collector – 34mA max sinking
Output Current (per channel)	Push-pull: 34mA max source and sink Push-pull low power option 1mA max Line Driver: 800mA max (short circuit protected)
Output Signals	A, B, optional I
Air Gap	A, /A, B, /B, I, /I
Travel Speed	1mm typical 5 m/s max
Temperature range	-40° to 85°C (operating) -40° to 125°C (storage)
Protection	IP67
Housing	Plastic

The information in this sheet has been carefully reviewed and is believed to be accurate; however, no responsibility is assumed for inaccuracies. Furthermore, this information does not convey to the purchaser of such devices any license under the patent rights to the manufacturer. Measurement Specialties, Inc. reserves the right to make changes without further notice to any product herein. Measurement Specialties, Inc. makes no warranty, representation or guarantee regarding the suitability of its product for any particular purpose, nor does Measurement Specialties, Inc. assume any liability arising out of the application or use of any product or circuit and specifically disclaims any and all liability, including without limitation consequential or incidental damages. Typical parameters can and do vary in different applications. All operating parameters must be validated for each customer application by customer's technical experts. Measurement Specialties, Inc. does not convey any license under its patent rights nor the rights of others.

## ordering info

Red:	+5Vdc
Black:	Common
White:	Ch. A
Green:	Ch. B