

Flange Mounted Stainless Steel Probe



- NTC Temperature Sensor
- Fixed depth immersion probe
- Various lead lengths available
- Various SS tube lengths available
- Various Flange mount sizes available
- RoHS Compliant

DESCRIPTION

NTC Thermistor bead is soldered to extension wires. Unit is potted in a Mylar tube. The device is potted in a Stainless steel housing using Black Stycast epoxy.

FEATURES

- Fixed depth immersion probe.
- Custom temperature tolerances available.
- Available in a range of R/T curves.
- Various lead length/lead type available.
- Flexible design dimensions to accommodate customer requirements.
- Temperature range -40 °C to +105°C

APPLICATIONS

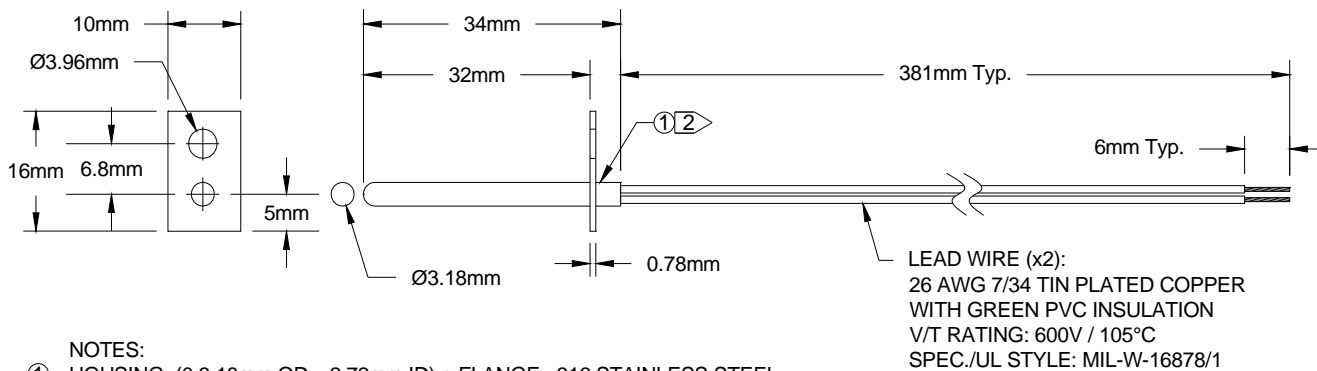
- Air duct sensor
- Ambient temp sensor

PERFORMANCE SPECS

Parameters	Units	Value
Resistance @ +25°C	Ohms	10,000
Resistance tolerance from 0°C to +70°C	°C	± 1.0
Beta Value 25/85	K	3976
Tolerance on Beta Value 25/85	%	± 0.5
Time response in Liquids	Seconds	<5

Flange Mounted Stainless Steel Probe

MECHANICAL DETAILS



- NOTES:
 ① HOUSING: (0.318mm OD x 2.72mm ID) + FLANGE, 316 STAINLESS STEEL
 ② ENCAPSULATION: THERMALLY CONDUCTIVE BLACK EPOXY

Figure 1: Flange Mounted Stainless Steel Probe

RESISTANCE V TEMPERATURE TABLE

Temp. °C	Ohms
----------	------

-40	336103.2
-39	314558.0
-38	294529.1
-37	275900.8
-36	258567.0
-35	242430.2
-34	227400.9
-33	213396.6
-32	200341.4
-31	188165.5
-30	176804.8
-29	166199.8
-28	156296.1
-27	147043.2
-26	138394.7
-25	130307.6
-24	122742.3
-23	115662.2
-22	109033.4
-21	102824.6
-20	97006.9
-19	91553.3
-18	86439.2
-17	81641.4
-16	77138.6

Temp. °C	Ohms
----------	------

-15	72911.1
-14	68940.4
-13	65209.7
-12	61702.9
-11	58405.5
-10	55303.9
-9	52385.2
-8	49637.8
-7	47050.6
-6	44613.4
-5	42316.7
-4	40151.6
-3	38110.0
-2	36184.0
-1	34366.6
0	32650.9
1	31030.8
2	29500.5
3	28054.4
4	26687.5
5	25395.0
6	24172.5
7	23015.9
8	21921.2
9	20884.7

Temp. °C	Ohms
----------	------

10	19903.2
11	18973.3
12	18092.2
13	17256.9
14	16464.9
15	15713.7
16	15000.9
17	14324.5
18	13682.3
19	13072.6
20	12493.3
21	11943.0
22	11419.9
23	10922.7
24	10449.8
25	10000.0
26	9572.0
27	9164.7
28	8777.0
29	8407.7
30	8056.1
31	7721.0
32	7401.7
33	7097.3
34	6807.1

Temp. °C	Ohms
----------	------

35	6530.3
36	6266.2
37	6014.3
38	5773.8
39	5544.2
40	5325.0
41	5115.6
42	4915.6
43	4724.4
44	4541.7
45	4367.0
46	4200.0
47	4040.2
48	3887.4
49	3741.1
50	3601.1
51	3467.0
52	3338.7
53	3215.8
54	3098.0
55	2985.2
56	2877.0
57	2773.3
58	2673.9
59	2578.6

Flange Mounted Stainless Steel Probe

60	2487.1	72	1636.6	84	1104.9	96	763.6
61	2399.4	73	1582.4	85	1070.5	97	741.2
62	2315.2	74	1530.2	86	1037.3	98	719.6
63	2234.4	75	1480.1	87	1005.3	99	698.6
64	2156.8	76	1431.8	88	974.4	100	678.4
65	2082.3	77	1385.3	89	944.7	101	658.9
66	2010.8	78	1340.6	90	916.0	102	640.0
67	1942.1	79	1297.5	91	888.3	103	621.8
68	1876.0	80	1256.1	92	861.5	104	604.2
69	1812.6	81	1216.1	93	835.8	105	587.1
70	1751.6	82	1177.7	94	810.9		
71	1693.0	83	1140.6	95	786.8		

ORDERING INFORMATION

Part Number	Description	Ω @25°C	MOQ
10K3D536	Flange Mounted Stainless Steel Probe	10,000	1000 *

* For quantities less than Minimum Order Quantity – contact distribution

The information in this sheet has been carefully reviewed and is believed to be accurate; however, no responsibility is assumed for inaccuracies. Furthermore, this information does not convey to the purchaser of such devices any license under the patent rights to the manufacturer. Measurement Specialties, Inc. reserves the right to make changes without further notice to any product herein. Measurement Specialties, Inc. makes no warranty, representation or guarantee regarding the suitability of its product for any particular purpose, nor does Measurement Specialties, Inc. assume any liability arising out of the application or use of any product or circuit and specifically disclaims any and all liability, including without limitation consequential or incidental damages. Typical parameters can and do vary in different applications. All operating parameters must be validated for each customer application by customer's technical experts. Measurement Specialties, Inc. does not convey any license under its patent rights nor the rights of others.