

# Model 7505A Accelerometer

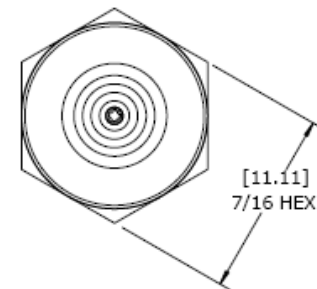


+260°C Charge Output  
 5.6pC/g output, 10kHz Bandwidth  
 Hermetically Sealed  
 Stud Mount, Top Connector



**The Model 7505A** is a stud mounted piezoelectric charge mode accelerometer with an operating temperature range to +260°C. The accelerometer is designed for high frequency vibration and shock measurements and offers a wide bandwidth to >10kHz and a nominal charge output of 5.6pC/g. The model 7505A features a hermetically sealed stainless steel housing and a #10-32 stud mount configuration.

## dimensions

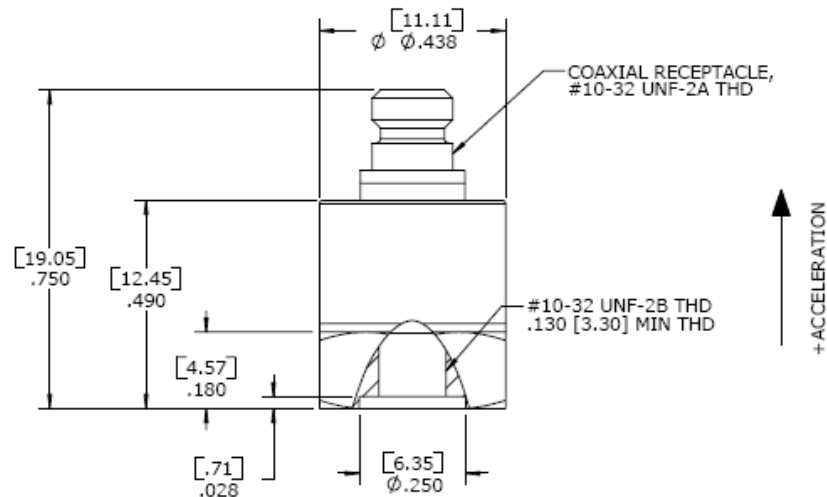


## FEATURES

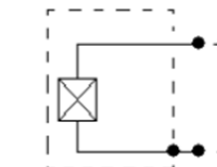
- -73°C to +260°C Operating Range
- Wide bandwidth up to >10kHz
- Stainless Steel Housing
- Annular Shear Mode
- Case Grounded
- 10-32 Top Connector

## APPLICATIONS

- Vibration & Shock Monitoring
- High Temp Applications
- Laboratory Testing
- High Frequency Applications
- Gearbox Vibration Monitoring



ACCELEROMETER



# Model 7505A Accelerometer

## performance specifications

All values are typical at +24°C, 100Hz unless otherwise stated. Measurement Specialties reserves the right to update and change these specifications without notice. Standard product parameters are described in PSC-1003 for Plug & Play AC Accelerometers.

### Parameters

#### DYNAMIC

Sensitivity (pC/g)	5.6
Sensitivity (pC/g)	4.0
Frequency Response (Hz) <sup>2</sup>	1-10000
Frequency Response (Hz) <sup>2</sup>	0.3-15000
Natural Frequency (Hz)	47000
Non-Linearity (%FSO)	±1/1000g
Transverse Sensitivity (%)	<5
Dynamic Range (g) <sup>1</sup>	±4000
Shock Limit (g)	10000

**Notes**  
Typical  
Minimum  
±10%  
±2dB

#### ELECTRICAL

Capacitance (pF)	560
Insulation Resistance (MΩ)	>100
Grounding	Case Grounded

Nominal  
@100Vdc

#### ENVIRONMENTAL

Temperature Response (%)	See Typical Temperature Response Curve
Operating Temperature (°C)	-73 to +260
Storage Temperature (°C)	-73 to +260
Humidity	Hermetically Sealed

#### PHYSICAL

Sensing Element	Ceramic (shear mode)
Case Material	Stainless Steel
Weight (grams)	7.3
Mounting	#10-32 to #10-32 Mounting Stud (included)
Mounting Torque	18 lb-in (2.0 N-m)

<sup>1</sup> Operating range over which the accelerometer meets the linearity specifications

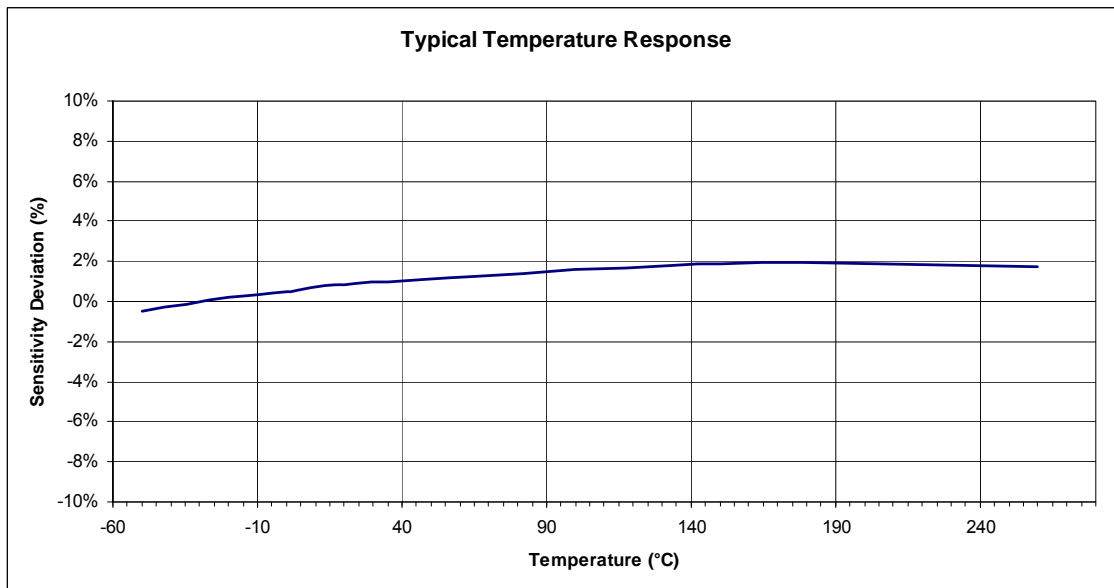
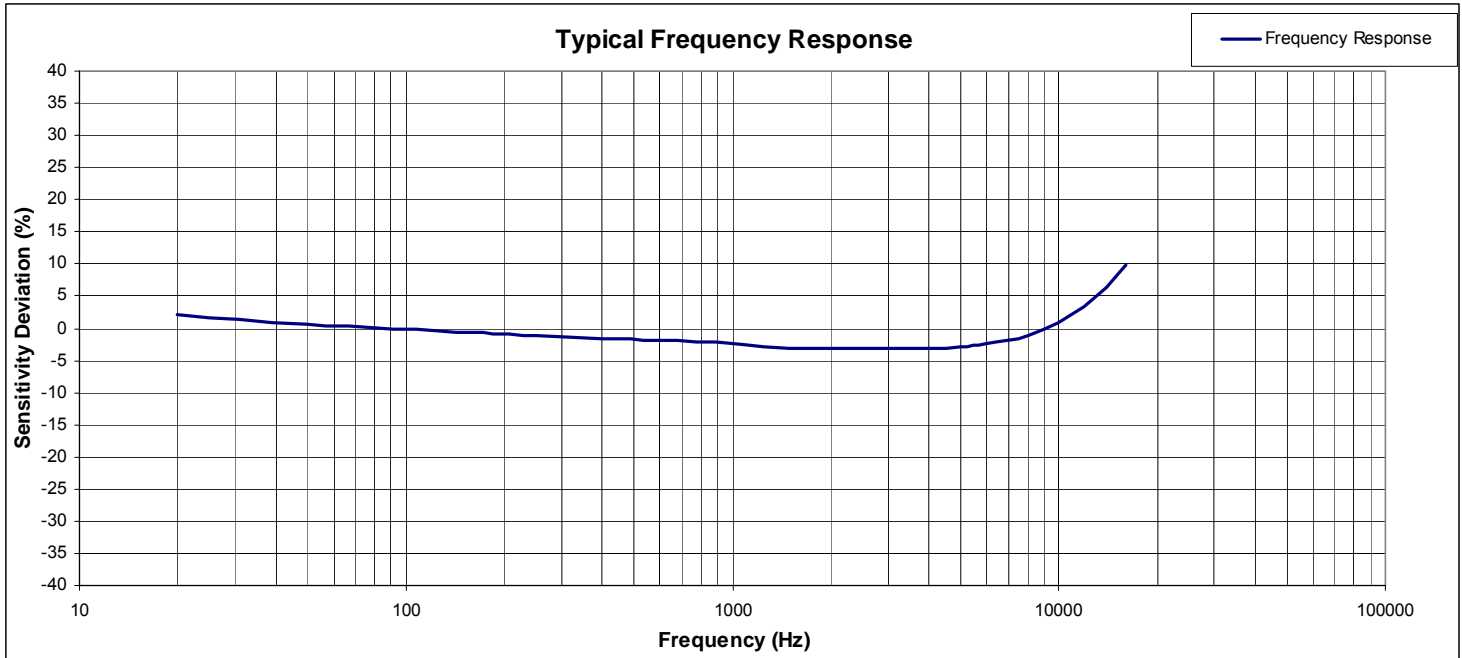
<sup>2</sup> Low-end response of the accelerometer is a function of its associated electronics.

<b>Calibration supplied:</b>	CS-FREQ-0100	NIST Traceable Amplitude Calibration from 20Hz to ±2dB Frequency Response Limit
<b>Supplied accessories:</b>	AC-D02298	10-32 to 10-32 mounting stud
<b>Optional accessories:</b>	320-XXX	Cable Assembly, 10-32 to 10-32 (XXX designates length in inches, 10ft standard)
	130	In-Line Charge Converter
	161	4 Channel PE & IEPE Signal Conditioner
	AC-D03105	Adhesive Mounting Adaptor
	AC-D03106	Magnetic Mounting Adaptor

The information in this sheet has been carefully reviewed and is believed to be accurate; however, no responsibility is assumed for inaccuracies. Furthermore, this information does not convey to the purchaser of such devices any license under the patent rights to the manufacturer. Measurement Specialties, Inc. reserves the right to make changes without further notice to any product herein. Measurement Specialties, Inc. makes no warranty, representation or guarantee regarding the suitability of its product for any particular purpose, nor does Measurement Specialties, Inc. assume any liability arising out of the application or use of any product or circuit and specifically disclaims any and all liability, including without limitation consequential or incidental damages. Typical parameters can and do vary in different applications. All operating parameters must be validated for each customer application by customer's technical experts. Measurement Specialties, Inc. does not convey any license under its patent rights nor the rights of others.

# Model 7505A Accelerometer

## performance specifications



## ordering info

PART NUMBERING Model Number+Range

7505A-GGGG

|  
| Range (2000 is 2000g)

Example: 7505A-2000  
Model 7505A, 2000g