

Model EGPE-1A Accelerometer

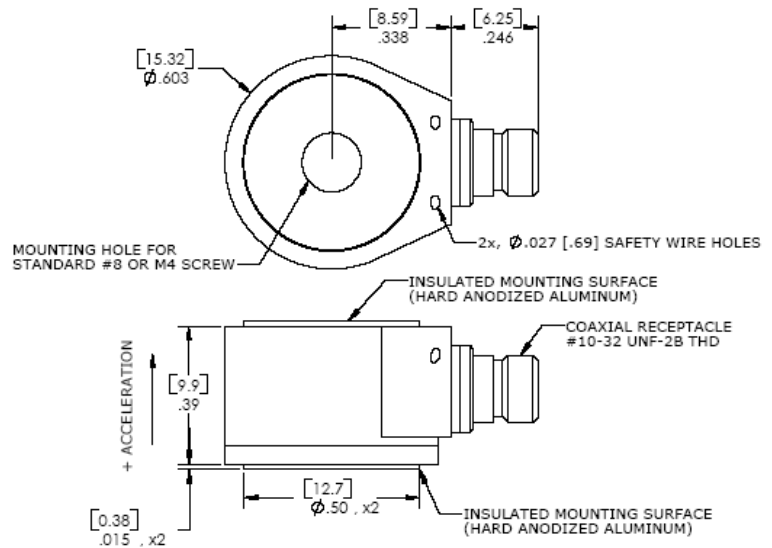


+150°C IEPE Accelerometer
Wide Bandwidth
Hermetically Sealed
Through Hole Mount



The Model EGPE-1A is a high performance IEPE accelerometer with an operating temperature range of -55°C to +150°C. The accelerometer is available in ± 50 to $\pm 500g$ ranges and provides a flat frequency response up to 15kHz. The model EGPE-1A is hermetically sealed and features the popular through hole mount installation for use with standard mounting screws.

dimensions

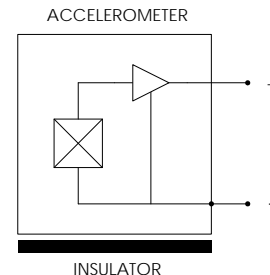


FEATURES

- $\pm 50g$ to $\pm 500g$ Dynamic Range
- Wide bandwidth up to 15kHz
- Through Hole Mount
- Hermetically Sealed
- Annular Shear Mode
- Isolated Mounting Surface
- Stable Temperature Response

APPLICATIONS

- Vibration & Shock Monitoring
- High Temp IEPE Applications
- Flight Testing
- Gearbox Vibration Monitoring
- High Frequency Applications
- HUMS



Model EGPE-1A Accelerometer

performance specifications

All values are typical at +24°C, 100Hz and 4mA excitation unless otherwise stated. Measurement Specialties reserves the right to update and change these specifications without notice. Standard product parameters are described in PSC-1003 for Plug & Play AC Accelerometers.

Parameters

DYNAMIC

			Notes
Range (g)	±50	±500	
Sensitivity (mV/g)	100	10	
Frequency Response (Hz)	1-5000	1-7000	±5%
Frequency Response (Hz)	0.5-10000	0.5-15000	±1dB
Natural Frequency (Hz)	33000	43000	
Non-Linearity (%FSO)	±1	±1	
Transverse Sensitivity (%)	<5	<5	
Shock Limit (g)	5000	5000	

ELECTRICAL

Compliance Voltage (Vdc)	18 to 30	18 to 30	
Excitation Current (mA)	2 to 20	2 to 20	
Bias Voltage (Vdc)	8 to 12	8 to 12	Room Temperature
Bias Voltage (Vdc)	6 to 13	6 to 13	-55 to +150°C
Output Impedance (Ω)	<100	<100	
Residual Noise (g RMS)	0.0001	0.00025	
Grounding	Case Grounded		
Ground Isolation	Isolated from Mounting Surface		

ENVIRONMENTAL

Temperature Response (%)	±10	±10	
Operating Temperature (°C)	-55 to +150		
Storage Temperature (°C)	-55 to +150		

PHYSICAL

Sensing Element	Ceramic (shear mode)
Case Material	Stainless Steel
Cable	Not Applicable
Weight (grams)	11
Mounting	Through Hole (#8 or M4 cap screw)
Mounting Torque	16 lb-in (1.8 N-m)
AWG	Not Applicable

Supplied accessories: AC-D02787 1x #8-32 Mounting Screw (5/8 inch length)

Optional accessories: 310-XXX Cable Assembly, 10-32 to 10-32 (XXX designates length in inches, 10ft standard)
 314-XXX Cable Assembly, 10-32 to BNC (XXX designates length in inches, 10ft standard)
 AC-D02327 Triaxial Mounting Block
 AC-D02328 Adhesive Mounting Adaptor
 AC-D02636 Magnetic Mounting Adaptor

The information in this sheet has been carefully reviewed and is believed to be accurate; however, no responsibility is assumed for inaccuracies. Furthermore, this information does not convey to the purchaser of such devices any license under the patent rights to the manufacturer. Measurement Specialties, Inc. reserves the right to make changes without further notice to any product herein. Measurement Specialties, Inc. makes no warranty, representation or guarantee regarding the suitability of its product for any particular purpose, nor does Measurement Specialties, Inc. assume any liability arising out of the application or use of any product or circuit and specifically disclaims any and all liability, including without limitation consequential or incidental damages. Typical parameters can and do vary in different applications. All operating parameters must be validated for each customer application by customer's technical experts. Measurement Specialties, Inc. does not convey any license under its patent rights nor the rights of others.

ordering info

PART NUMBERING Model Number+Range

EGPE-1A-GGGG

|
| _____ Range (0050 is 50g)

Example: EGPE-1A-0050
 Model EGPE-1A, 50g