

# Model TS418-3N426 Thermopile Sensor



**Thermopile IR-Sensor**  
**Filter for NDIR CO<sub>2</sub> Gas Detection**  
**Single Element**  
**Very High Signal**  
**Flat Filter**  
**Small Package**  
**Accurate Reference Sensor**



## DESCRIPTION

Thermopiles are mainly used for contactless temperature measurement in many applications. Their function is to transfer the heat radiation emitted from the objects into a voltage output.

## FEATURES

- Very High Signal
- Accurate Reference Sensor
- 4.26µm Narrow Band Pass
- Small TO-18 package

## APPLICATIONS

- NDIR CO<sub>2</sub> Gas Detection

## ABSOLUTE MAXIMUM RATINGS

Parameter	Symbol	Min	Typical	Max	Unit	Description
Storage Temperature	T <sub>s</sub>	-20	+20	+85	°C	permanent
Storage Temperature	T <sub>s</sub>	-20	+20	+100	°C	non permanent



# Model TS418-3N426 Thermopile Sensor

## PERFORMANCE SPECS

Parameter	Symbol	Value	Unit	Condition
Operating Ambient Temperature	$T_{Amb}$	-20 to +85	°C	permanent
Operating Ambient Temperature	$T_{Amb}$	-20 to +100	°C	non permanent
Package		TO-18		
Absorber Area	A	$1.4 \times 1.4$	mm <sup>2</sup>	
Thermopile Resistance	$R_{TP}$	$180 \pm 60$	k $\Omega$	$T_{Amb} = +25^{\circ}\text{C}$
Temperature Coefficient of Thermopile Resistance	$TCR_{TP}$	$-0.06 \pm 0.04$	%/K	$T_{Amb} = +25^{\circ}\text{C}$ to $+75^{\circ}\text{C}$
Voltage Response	$V_{TP}$	depends on light source	mV	
Temperature Coefficient of Voltage Response	$TCV_{TP}$	$-0.45 \pm 0.08$	%/K	$T_{Amb} = +25^{\circ}\text{C}$ to $+75^{\circ}\text{C}$
Noise Equivalent Voltage	NEV	130	nV/Hz <sup>1/2</sup>	$T_{Amb} = +25^{\circ}\text{C}$
Rise Time	$\tau_{63}$	$22 \pm 5$	ms	
Ambient Temperature Sensor		Ni-RTD		
Ambient Temperature Sensor Resistance	$R_{Ni-RTD}$	$1000 \pm 4$	$\Omega$	$T_{Amb} = 0^{\circ}\text{C}$
Temperature Coefficient of Ni-RTD	$TC_{Ni-RTD}$	$6178 \pm 150$	ppm/K	$T_{Amb} = 0^{\circ}\text{C}$ to $+100^{\circ}\text{C}$



# Model TS418-3N426 Thermopile Sensor

## OPTICAL CHARACTERISTICS

Parameter	Symbol	Value	Unit	Description
Field of View	FOV	120	deg	at 50% of maximum signal

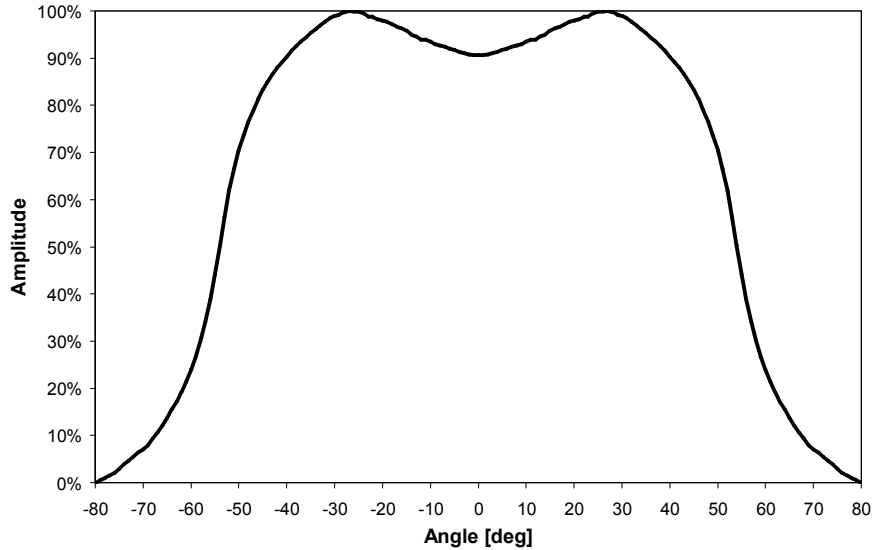


Figure 2: Field of View Curve

## FILTER CHARACTERISTICS

Parameter	Symbol	Value	Unit	Description
Filter Type	NBP	4.26 ±0.18	μm	Narrow Band Pass

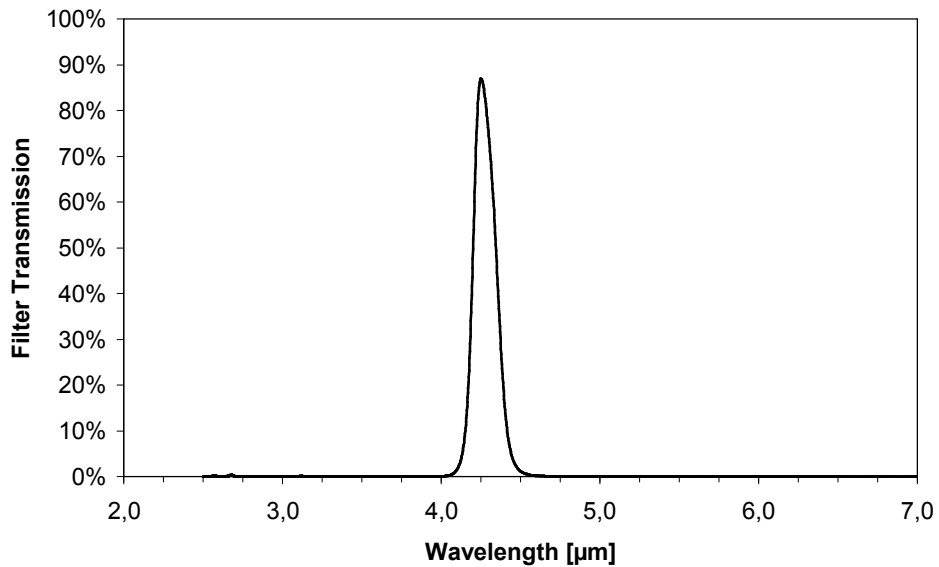


Figure 3: Filter transmission curve



# Model TS418-3N426 Thermopile Sensor

## ELECTRICAL CONNECTIONS

Pin	Symbol
1	TP +
2	Ni-RTD
3	TP -
4	GND

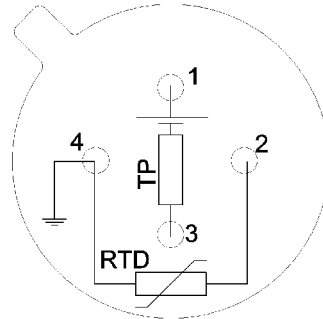


Figure 4: Electrical connections - bottom view of thermopile

## MECHANICAL DIMENSIONS

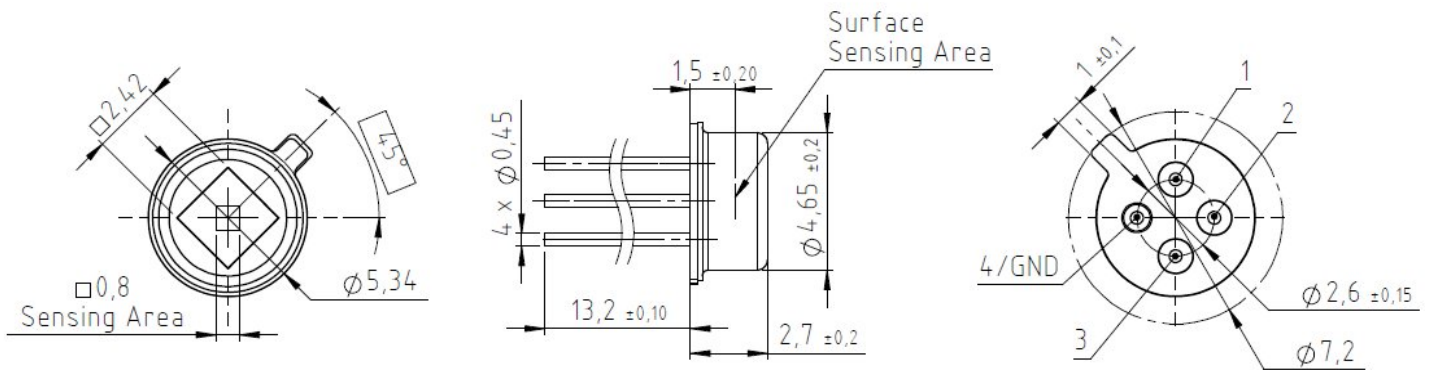


Figure 5: Mechanical dimensions of thermopile

# Model TS418-3N426 Thermopile Sensor

---

## ORDERING INFORMATION

---

**Part Description**      TS418-3N426

**Part No.**                G-TPCO-024

---

## TECHNICAL CONTACT INFORMATION

---

--	--	--

The information in this sheet has been carefully reviewed and is believed to be accurate; however, no responsibility is assumed for inaccuracies. Furthermore, this information does not convey to the purchaser of such devices any license under the patent rights to the manufacturer. Measurement Specialties, Inc. reserves the right to make changes without further notice to any product herein. Measurement Specialties, Inc. makes no warranty, representation or guarantee regarding the suitability of its product for any particular purpose, nor does Measurement Specialties, Inc. assume any liability arising out of the application or use of any product or circuit and specifically disclaims any and all liability, including without limitation consequential or incidental damages. Typical parameters can and do vary in different applications. All operating parameters must be validated for each customer application by customer's technical experts. Measurement Specialties, Inc. does not convey any license under its patent rights nor the rights of others.