

## Level Sensors with Magnetic Floats



### APPLICATIONS

- Liquid container monitoring in household appliances, automotive applications, test and measurement, and control technology.

### FEATURES

- High power switches available
- Other cables, connectors and colors available
- Form A (normally open) and Form B (normally closed) types are available
- IP 68 (only to screw thread)

### DESCRIPTION

Standard liquid level sensor. The sensor has to be mounted horizontally for best results.

Two versions are available:

**PP** (Polypropylene) for water applications and dilute acids

**PA** (Polyamide) for use in oil, gasoline (petrol) and brake fluid

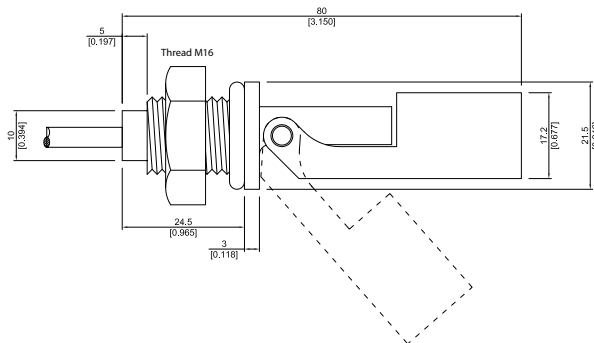
The standard termination is a PVC cable with a cross section of 0.14 mm<sup>2</sup> and a length of 500 mm. The cable can be modified on request.

### MATERIALS

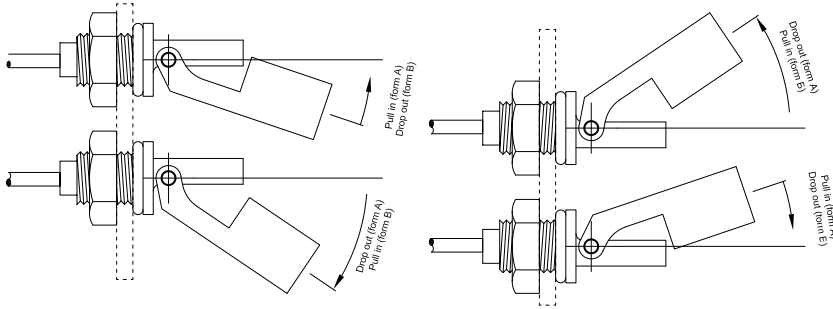
Materials PA version	
Shaft, nut	Polyamide black
Float	Polyamide black
Seal	Nitrile rubber
Materials PP version	
Shaft, nut	Polypropylene black
Float	Polypropylene black
Seal	Nitrile rubber

### DIMENSIONS

All dimensions in mm [inches]



### MOVEMENT



### ORDER INFORMATION

**Part Number Example**

LS03 - 1A66 - PA - 500 W

- 1A is the contact form
- 66 is the switch model
- PA is the material
- 500 is the cable length (mm)
- W is the termination

Series	Contact Form	Switch Model	Material	Cable Length (mm)	Termination
LS03 -	XX	XX -	XX -	XXX	X
Options	1 Form A	66, 84	PA, PP	500 *	W
	1 Form B				
* Other cable lengths available.					

### TERMINATION

For wire and termination details please contact factory.

<b>W</b>		The cable cut length includes: 5 mm of wire stripped and tinned
----------	--	--

## Level Sensors with Magnetic Floats

### CONTACT DATA

All Data at 20° C	Switch Model --> Contact Form -->	Switch 66 Form A			Switch 84 Form A / B			Units
		Min.	Typ.	Max.	Min.	Typ.	Max.	
Switching Power	Any DC combination of V & A not to exceed their individual max.'s			10			10	W
Switching Voltage	DC or peak AC			200			400	V
Switching Current	DC or peak AC			0.5			0.5	A
Carry Current	DC or peak AC			1.25			1.0	A
Static Contact Resistance	w/ 0.5 V & 10 mA			150			150	mΩ
Dynamic Contact Resistance	Measured w/ 0.5 V & 50 mA , 1.5 ms after closure			200			200	mΩ
Insulation Resistance across Contacts	100 volts applied	10 <sup>10</sup> *			10 <sup>11</sup>			Ω
Breakdown Voltage across Contact	Voltage applied for 60 sec. min.	225 *			700			VDC
Operation Time incl. Bounce	Measured w/ 50 % overdrive			0.5			2.0	ms
Release Time	Measured w/ no coil suppression			0.1			0.1	ms
Capacitance	at 10 kHz cross contact		0.2			0.7		pF
<b>Environmental Data</b>								
Shock Resistance	1/2 sinus wave duration 11 ms			50			50	g
Vibration Resistance	From 10 - 2000 Hz			20			20	g
Ambient Temperature	10°C/ minute max. allowable	-20		90	-20		90	°C
Stock Temperature	10°C/ minute max. allowable	-20		100	-20		100	°C
Soldering Temperature	5 sec. dwell			260			260	°C
Please note: The indicated electrical data are maximum values and can vary downwards when using a more sensitive switch.								
* Insulation resistance of 10 <sup>12</sup> and breakdown voltage of 480 VDC is available. These ranges refer to the uncut / unmodified Reed Switches described in our Reed Switch section. Consult factory if more detail is required.								