

## MEDER electronic

## LS02 Series

### Level Sensors with Magnetic Floats

#### DESCRIPTION

Standard liquid level sensor. The sensor has to be mounted vertically for best results.

Two versions are available:

**PP** (Polypropylene) for water applications and dilute acids

**PA** (Polyamide) for use in oil, gasoline (petrol) and brake fluid

The standard termination is a PVC cable with a cross section of 0.14 mm<sup>2</sup> and a length of 500 mm. The cable can be modified on request.

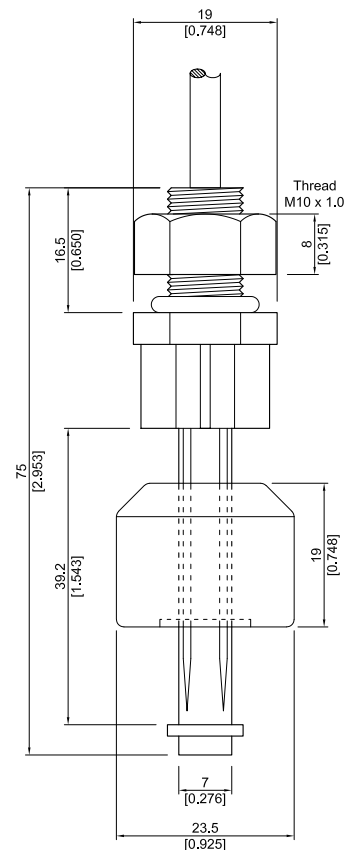


#### APPLICATIONS

- Liquid container monitoring in household appliances, automotive applications, test and measurement, and control technology.

#### DIMENSIONS

All dimensions in mm [inches]



#### FEATURES

- High power switches available
- Other cables, connectors and colors available
- Form A (normally open) and Form B (normally closed) types are available
- IP 68 (only to screw thread)

#### MATERIALS

Materials PA version	
Shaft, nut	Polyamide black
Float	Polyamide black
Seal	Nitrile rubber
Materials PP version	
Shaft, nut	Polypropylene black
Float	Polypropylene black
Seal	Nitrile rubber

[www.meder.com](http://www.meder.com)

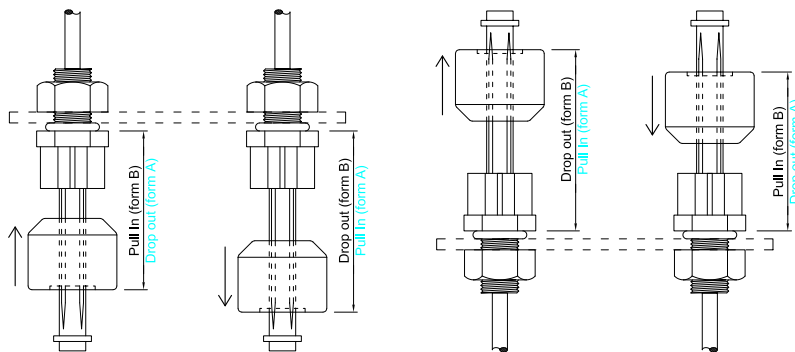
Germany # ++49-(0)7733-94870, USA # 800-870-5385

231

**LS02 Series** **MEDER electronic**

**Level Sensors with Magnetic Floats**

**MOVEMENT**



**ORDER INFORMATION**

SERIES	CONTACT FORM	SWITCH MODEL	MATERIAL	CABLE LENGTH (mm)	TERMINATION
LS02 -	XX	XX -	XX -	XXX	X
OPTIONS	1 Form A	66, 84	PA, PP	500 *	W, X, Y
	1 Form B				

\* Other cable lengths available.

**Part Number Example**

LS02 - 1A66 - PA - 500 W

1A is the contact form  
 66 is the switch model  
 PA is the material  
 500 is the cable length (mm)  
 W is the termination

**TERMINATION**

For wire and termination details please consult factory.

W		The cable cut length includes: 30 mm of separated wire with 5mm of wire stripped and tinned
X		The cable cut length includes: 30 mm of separated wire with individual crimped terminals
Y		The cable cut length includes: 30 mm of separated wire with individual spade terminals

**MEDER electronic****LS02 Series****Level Sensors with  
Magnetic Floats****CONTACT DATA**

<b>All data 20 °C</b>	<b>Switch Model → Contact Form →</b>	<b>Switch 66 Form A / B</b>			<b>Switch 84 Form A / B</b>			
<b>Contact Ratings</b>	<b>Conditions</b>	<b>Min.</b>	<b>Typ.</b>	<b>Max.</b>	<b>Min.</b>	<b>Typ.</b>	<b>Max.</b>	<b>Units</b>
Switching Power	Any DC combination of V & A not to exceed their individual max.'s			10			10	W
Switching Voltage	DC or peak AC			200			400	V
Switching Current	DC or peak AC			0.5			0.5	A
Carry Current	DC or peak AC			1.25			1.0	A
Static Contact Resistance	w/ 0.5V & 10mA			150			150	mΩ
Dynamic Contact Resistance	Measured w/ 0.5V & 50mA 1.5 ms after closure			200			200	mΩ
Insulation Resistance across Contacts	100 Volts applied	10 <sup>10</sup> *			10 <sup>11</sup>			Ω
Breakdown Voltage across Contacts	Voltage applied for 60 sec. min.	225 *			700			VDC
Operate Time, incl. Bounce	Measured w/ 50% overdrive			0.5			2.0	ms
Release Time	Measured w/ no coil suppression			0.1			0.1	ms
Capacitance	@ 10kHz across contact		0.2			0.7		pF
<b>Environmental Data</b>								
Shock Resistance	1/2 sine wave duration 11ms			50			50	g
Vibration Resistance	From 10 - 2000 Hz			20			20	g
Ambient Temperature	10 °C/ minute max .allowable	-20		90	-20		90	°C
Storage Temperature	10 °C/ minute max. allowable	-20		100	-20		100	°C
Soldering Temperature	5 sec dwell			260			260	°C
Please note: The indicated electrical data are maximum values and can vary downwards when using a more sensitive switch. * Insulation resistance of 10 <sup>12</sup> and breakdown voltage of 480 VDC is available. These ranges refer to the uncut / unmodified Reed Switches described in our Reed Switch section. Consult factory if more detail is required.								

[www.meder.com](http://www.meder.com)

Germany # ++49-(0)7733-94870, USA # 800-870-5385

233