



	<b>Nemoto Sensor Engineering Company Ltd</b>	Nemoto (Europe) B.V. Burgemeester Haspelslaan 53 1181NB Amstelveen The Netherlands  Tel +31 20 670 3858 Fax +31 20 670 2709 <a href="http://www.nemoto.eu">www.nemoto.eu</a>
---	--	---

# Operating Characteristics and Handling Manual for the NAP-66A Explosive/Flammable Gas Sensor Optimized for the detection of Propane / Butane / LPG / Gasoline vapours etc



Nemoto has a policy of continuous development and improvement of its products. As such the specification for the device outlined in this document may be changed without notice.



## Contents

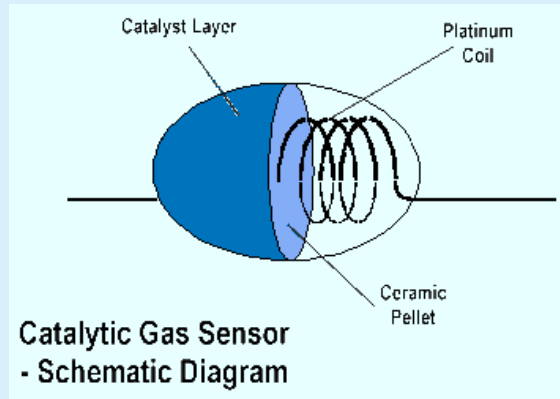
<b>Principles of Operation</b> .....	<b>3</b>
<b>General Specifications</b> .....	<b>4</b>
<b>Outline Drawing, Dimensions and Materials of Construction</b> .....	<b>5</b>
<b>Performance Measurements</b> .....	<b>6</b>
<b>Gas Sensitivity</b> .....	<b>6</b>
<b>Response Time Characteristics</b> .....	<b>7</b>
<b>Temperature Dependence</b> .....	<b>7</b>
<b>Humidity Dependence</b> .....	<b>8</b>
<b>Effect of Supply Voltage Variations</b> .....	<b>8</b>
<b>Wind and Flow rate Influences</b> .....	<b>9</b>
<b>Long Term Stability</b> .....	<b>9</b>
<b>Resistance to Catalyst Poisons</b> .....	<b>11</b>
<b>Shock Resistance</b> .....	<b>11</b>
<b>Notes on Sensor Testing</b> .....	<b>12</b>

Note that the Performance measurements expressed in this document should be considered as typical characteristics for guidance only, and not as specifications which are guaranteed, apart from those in the sections "General Specifications" and "Dimensions" (Pages 4 and 5). It is the instrument designer's responsibility to ensure that the sensor is suitable for any given application.



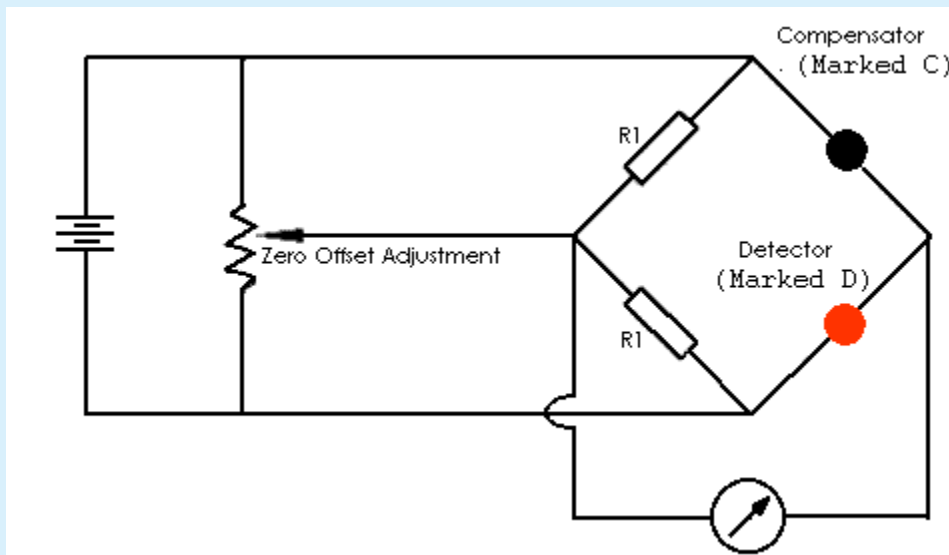
## Principles of Operation:

Catalytic combustion has been the most widely used method of detecting flammable gases in Industry since the invention of the catalysed pelletized resistor (or "Pellistor") over 40 years ago.



A Pellistor consists of a very fine coil of platinum wire, embedded within a ceramic pellet. On the surface of the pellet is a layer of a high surface area noble metal, which, when hot, acts as a catalyst to promote exothermic oxidation of flammable gases. In operation, the pellet and so the catalyst layer is heated by passing a current through the underlying coil. In the presence of a flammable gas or vapour, the hot catalyst allows oxidation to occur in a similar chemical reaction to combustion. Just as in combustion, the reaction releases heat, which causes the temperature of the catalyst together with its underlying pellet and coil to rise. This rise in temperature results in a change in the electrical resistance of the coil, and it is this change in electrical resistance which constitutes the signal from the sensor.

Pellistors are always manufactured in pairs, the active catalysed element being supplied with an electrically matched element which contains no catalyst and is treated to ensure no flammable gas will oxidise on its surface. This "compensator" element is used as a reference resistance to which the sensor's signal is compared, to remove the effects of environmental factors other than the presence of a flammable gas.



**Pellistor Drive/Measurement Circuit: A simple Wheatstone Bridge to compare the resistance of two hot elements**



The advantage of using this technique when detecting flammable gases for safety purposes is that it measures flammability directly.

Nemoto provides matched pair Pellistors conveniently mounted in a variety of enclosures for different applications. Some of these options contain the detector and compensator elements in separate enclosures (the NP range for Industrial applications). In the case of the NAP-66A, both elements are contained within a plastic enclosure for ease of use and low cost.

Catalytic pellistor type gas sensors have many advantages to semiconductor type gas sensors

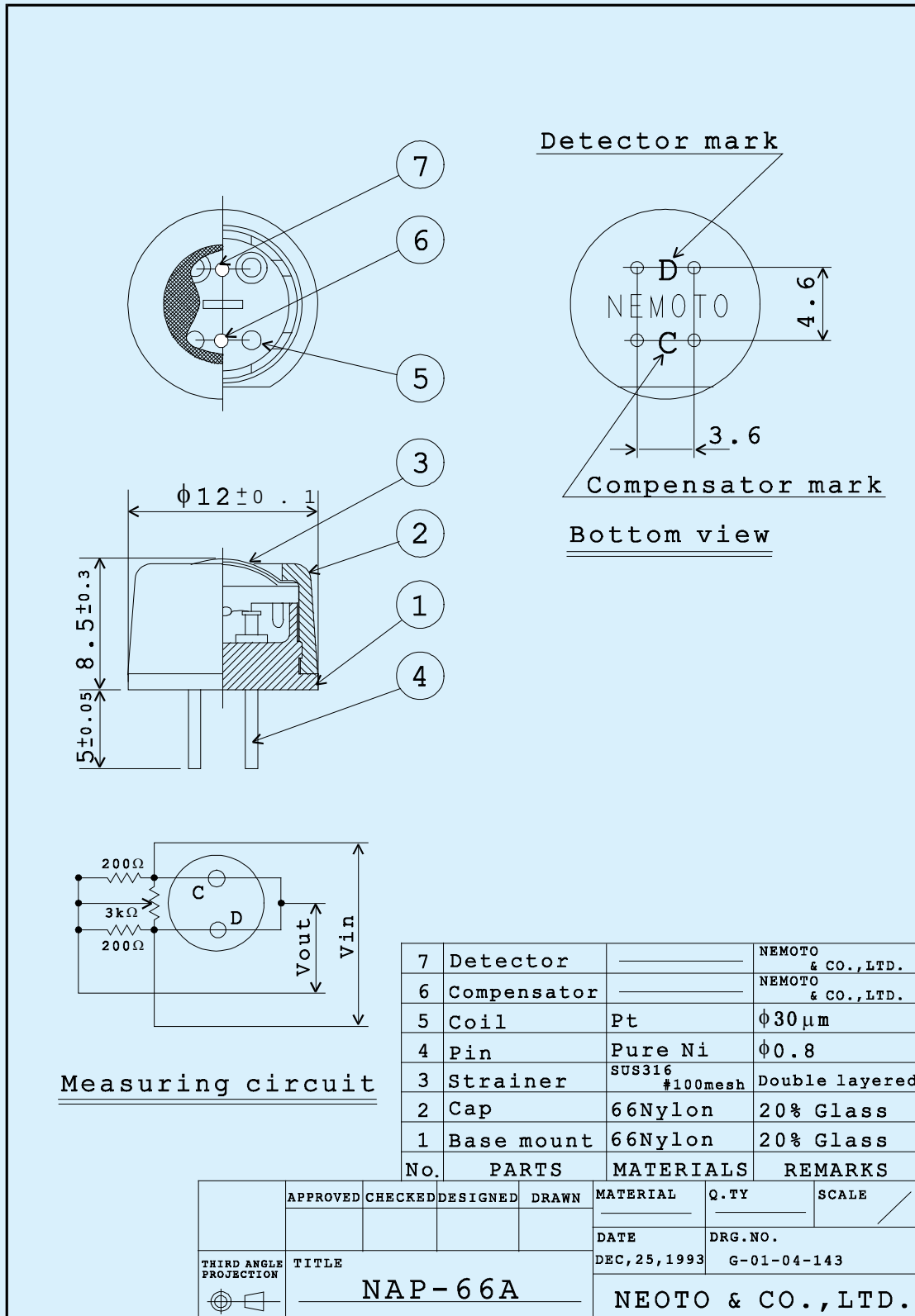
- ❖ Linear output in proportion to gas concentration
- ❖ Greater Stability
- ❖ Higher reproducibility
- ❖ Gas specific - will only respond to flammable gases
- ❖ Unaffected by humidity
- ❖ Stable output for long periods
- ❖ More resistant to shocks and vibrations.

## General Specifications:

<b>Operating Specifications:</b>	
<b>Detected Gases</b>	Higher Hydrocarbons, especially LPG, Propane, Butane, Gasoline Vapours (All specifications are based on the detection of Iso-butane)
<b>Standard Concentration Range</b>	0-50% LEL
<b>Recommended Bridge Voltage</b>	2.0V +/- 0.2V
<b>Current Consumption (at Recommended Bridge Voltage)</b>	140 mA +/- 10mA
<b>Bridge zero offset</b>	0 +/- 35mV
<b>Output Sensitivity</b>	Typically 16mV for 2000ppm C <sub>2</sub> H <sub>10</sub>
<b>Linearity</b>	Effectively Linear to 50% LEL
<b>Response Time (Measured as T90)</b>	<10 secs
<b>Accuracy (Measured as Repeatability)</b>	± 0.5mV for Zero ± 0.5mV for Gas Sensitivity
<b>Long Term Stability Drift</b>	Zero: Less than +/- 2mV per year Sensitivity: Less than +/- 2mV per Month
<b>Expected Lifetime in the field</b>	Over 5 Years. (In an appropriate Residential or Light commercial application)
<b>Environmental Specifications:</b>	
<b>Temperature Range</b>	-10°C to +50°C
<b>Standard constant Humidity Range</b>	15 to 90%RH
<b>Standard Constant Pressure Range</b>	1atm ± 10%
<b>Recommended storage Temperature Range</b>	0 to 20 degree C
<b>Recommended Maximum Storage Time</b>	6 months
<b>Mechanical Data</b>	
<b>Enclosure Material</b>	20% Glass Reinforced Nylon 66
<b>Connector Pin Material</b>	Nickel
<b>Protective Mesh Material</b>	316 SS



## Dimensions, Materials of Construction and Structure



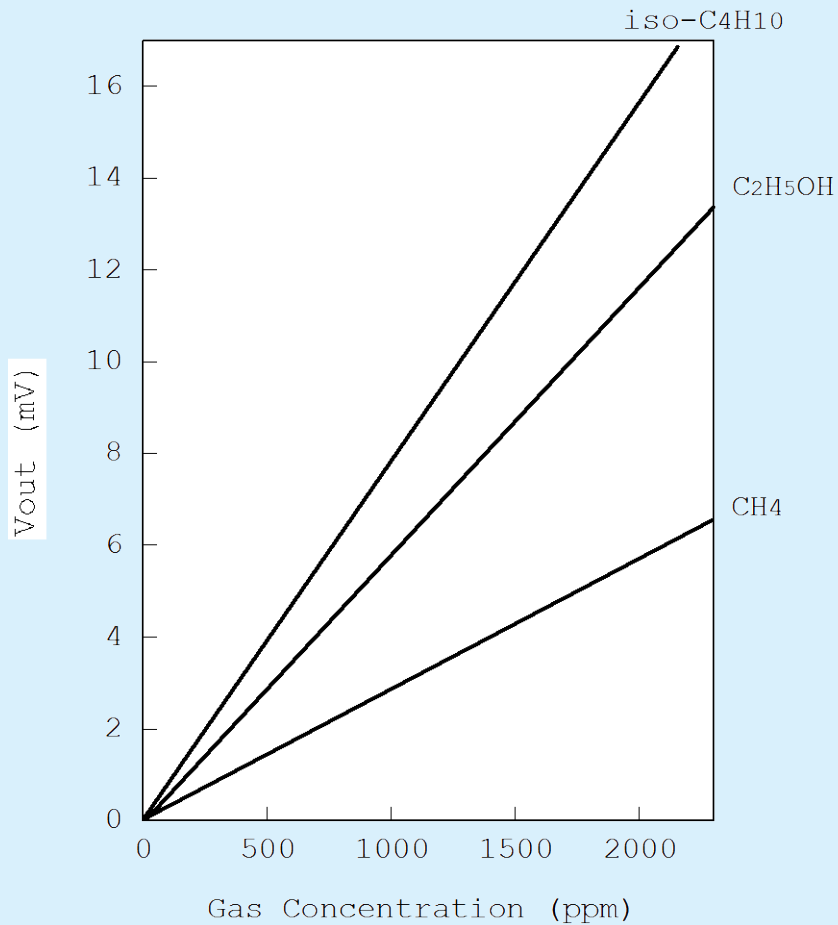


## Performance Measurements

### Gas sensitivity

The graph below shows the sensitivity characteristics for Iso-Butane, Ethanol and Methane.

Important note: The NAP-66A gas sensor is not suitable for Methane Measurements

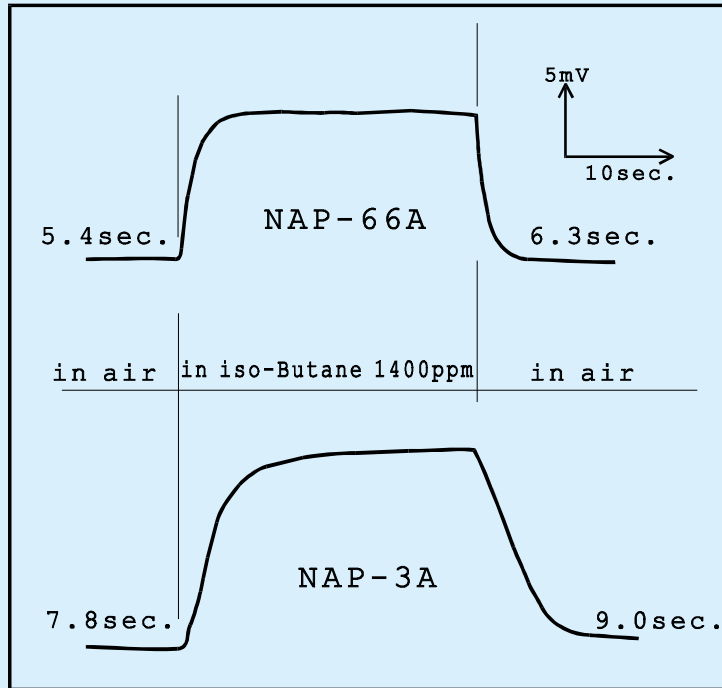


For other flammable gases, Nemoto can advise on the anticipated sensitivity of the sensor alone, but since the relative sensitivities to various gases is also dependent on the mounting arrangement within an instrument, it is always recommended that the instrument maker determines the response of the sensor to the target gas by experiment using the final product design wherever possible.



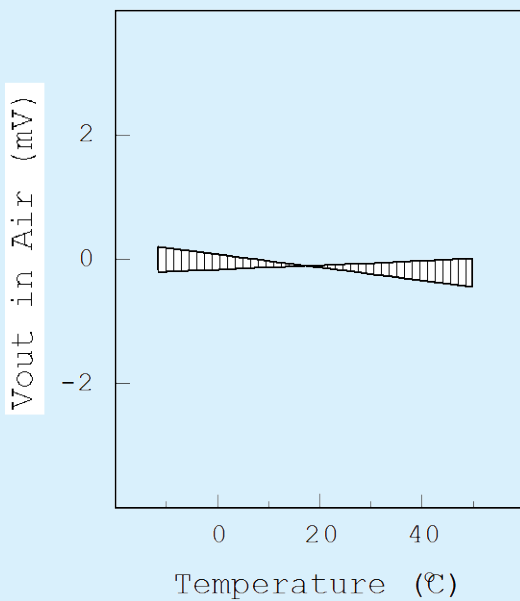
## Response Time Characteristics

The figure below shows the typical response and recovery characteristics of the NAP-66A when exposed to a step change of 1400ppm Iso-Butane in air. The graph here compares this response to that of an earlier and now obsolete Nemoto device, the NAP-3A.

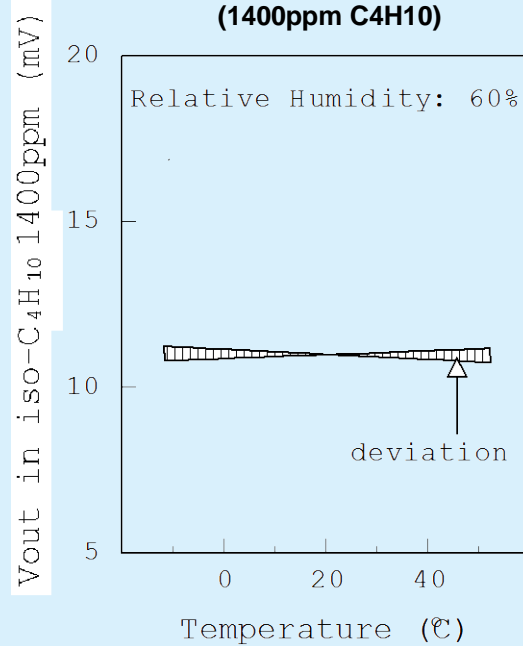


## Temperature Dependence

Zero Dependence

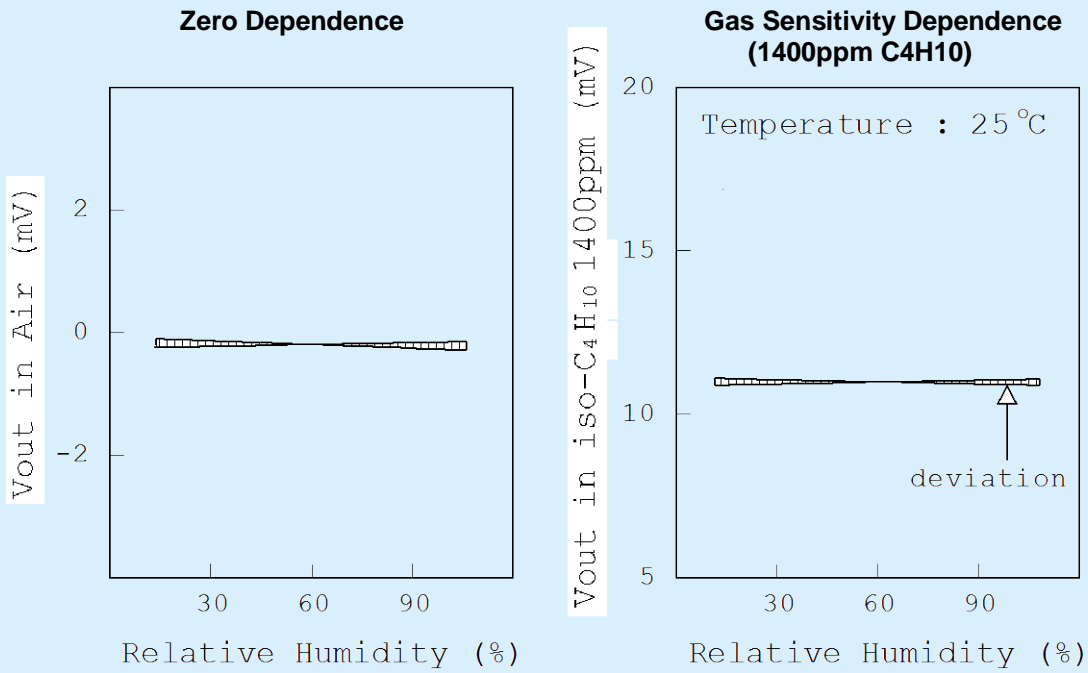


Gas Sensitivity Dependence (1400ppm C4H10)



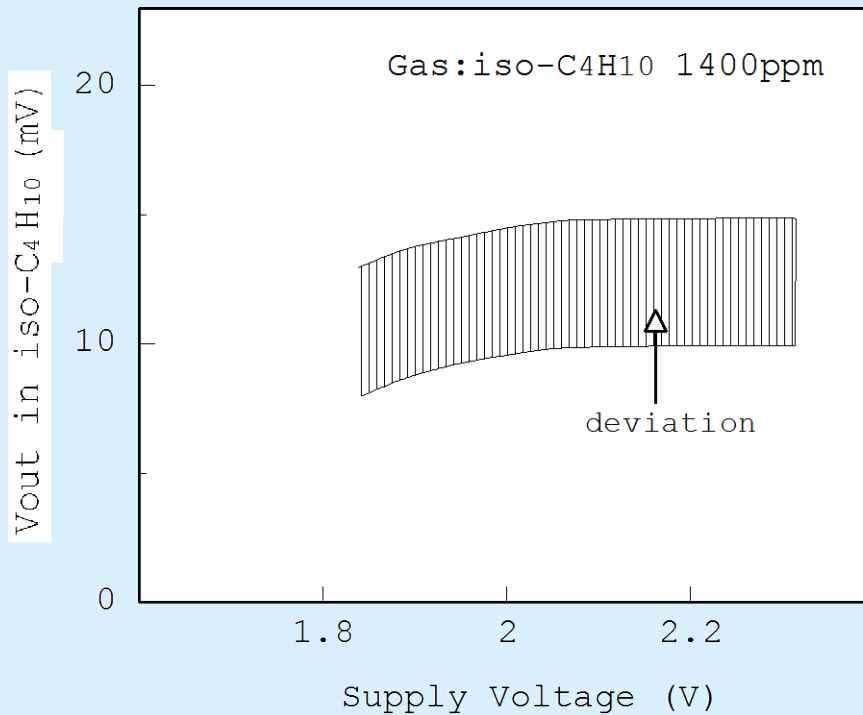


## Humidity Dependence



## Effect of Supply Voltage

The plot below illustrates the effect of differing Supply voltage on the sensitivity of the sensor, based on 1400ppm Iso-Butane:







## **Wind and Flow-Rate Influences**

All pellistor type gas sensors work best when sampling the air around it by diffusion only. Wind and turbulence around the sensor can affect the signal stability of the sensor by:

- a) Changing the speed at which gas can transport to the sensor, and
- b) Locally cooling the detector and/compensator

It is therefore important that the instrument designer seeks to protect the sensor from wind and turbulence far as possible.

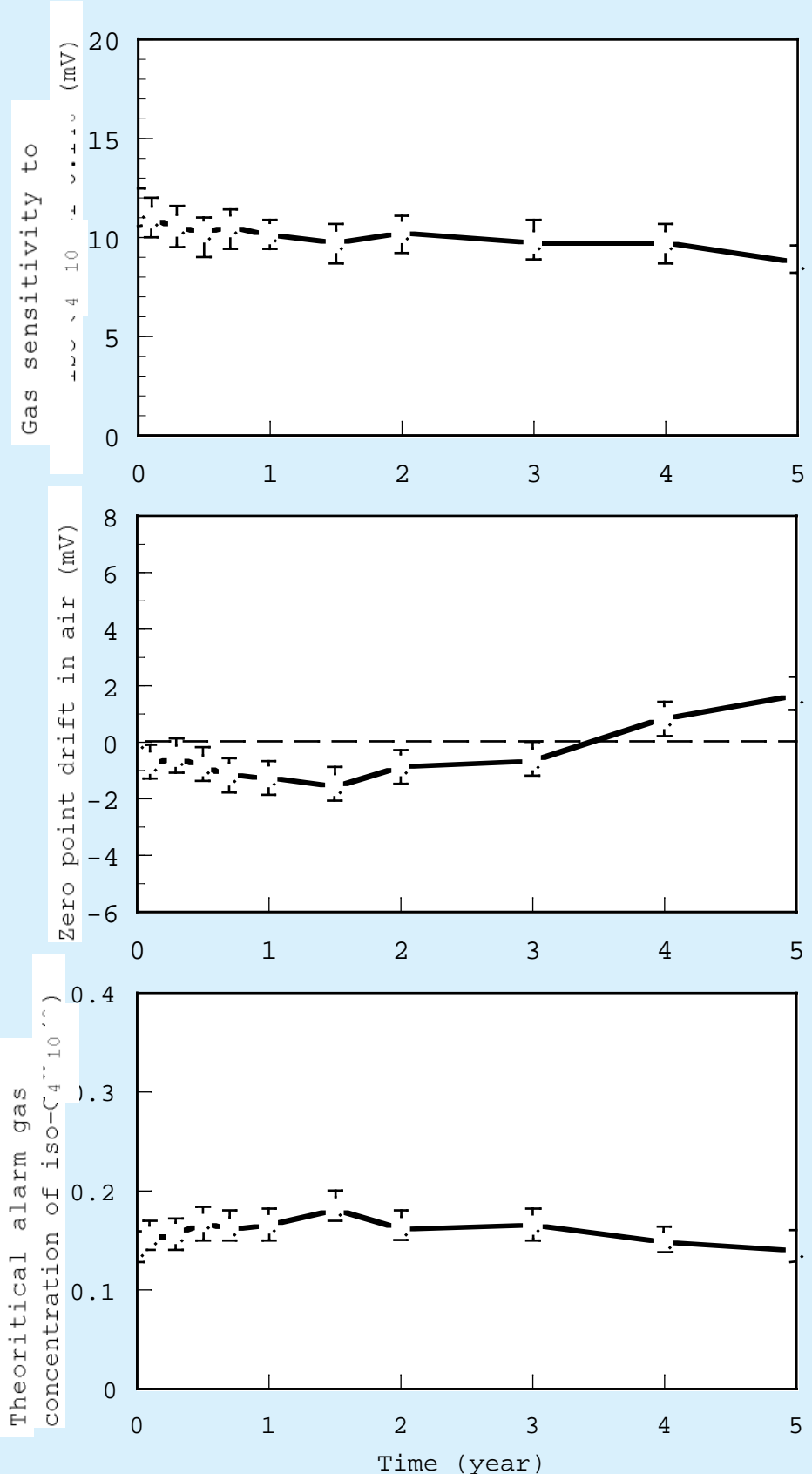
The NAP-66A has, however, been carefully designed to minimize the effects of wind and flow of the gas around it, and in tests the following results were found

<b>Wind Direction and Velocity</b>	<b>Typical Observed Deflection/Instability</b>
From sensor side, 1.5m/sec.	Approx. - 1mV
From sensor side, 3.0m/sec.	Approx. - 1mV
From compensator side, 3.0m/sec.	Approx. + 1mV
Parallel to sensor and compensator, 3.0m/sec.	Approx. +/-1mV
From top, 3.0m/sec.	Approx. +/-1mV

## **Long Term Stability**

The plots on the following page indicate the typical long term stability of the NAP-66A over 5 years of operation. The first plot indicates the drift in gas sensitivity (1400ppm Iso-Butane), the second plot indicates the drift in the zero offset value, and the bottom graph indicates the effect of both of these drifts on the effective alarm concentration for an instrument designed and commissioned with an alarm level of 1400ppm Iso-Butane (the standard alarm level for residential gas detectors in Japan).

All three plots have average with minimum and maximum error bars included.





## Tolerance to Environmental Extremes

### Tolerance to Catalyst Poisons

This section should read in conjunction with the Nemoto Europe Technical Note: "Pellistor Gas Sensors and Poisoning"

10 sample NAP-66A sensors were exposed continuously to 10ppm Hexamethyldisiloxane (HMDS) for 1 hour. The sensors were then tested for span sensitivity and zero output. The results were compared to those taken before the silicone exposure. The results are tabulated below:

Test samples	Before contamination (mV)		After contamination (mV)	
	Output in air	in 1400ppm of C <sub>4</sub> H <sub>10</sub>	Output in air	in 1400ppm of C <sub>4</sub> H <sub>10</sub>
Contamination without power supply				
1	- 12.1	12.2	- 12.0	11.1
2	- 15.8	13.0	- 15.7	12.0
3	+ 10.1	12.5	+ 10.2	11.9
4	- 18.9	12.4	- 19.0	11.5
5	-25.8	12.7	- 26.0	11.4
Contamination with power supply				
6	+11.5	12.9	+ 11.5	10.8
7	+ 5.8	13.1	+ 5.9	11.1
8	+2.2	12.5	+2.0	10.5
9	- 14.4	13.0	- 14.2	10.9
10	- 9.7	12.4	- 10.0	10.2

An interesting feature of Nemoto Catalytic gas sensors is that they have the ability to recover from exposure to catalyst poisons. Following an exposure to a catalyst poison, provided the exposure is not severe and the sensor is exposed to fresh air or clean combustible gas thereafter, the sensitivity of the sensor will recover near to levels prior to the exposure after a short while.

### Shock Resistance

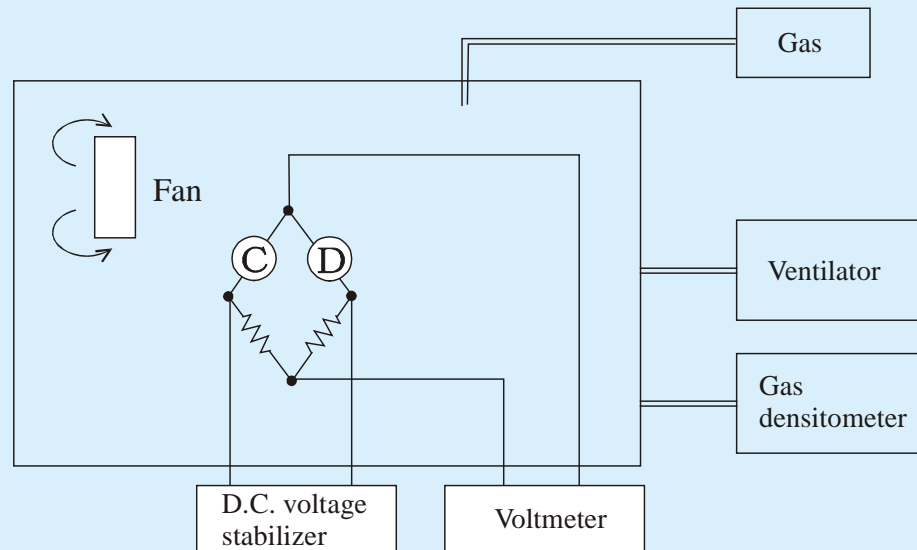
10 sample NAP-66A sensors, mounted within standard residential instruments, were wired remotely by lying leads to an external circuit. They were each dropped 3 times onto a wooden surface from a height of 50cm. in each case the zero output of the sensor was monitored by an undamped chart recorder, and maximum deviation in zero output was recorded to be as follows:

Sample No.	* Fluctuation compared to initial output (mV)		
	Trial 1	Trial 2	Trial 3
A	+ 0.5	+ 1.0	+ 1.1
B	- 0.9	- 1.1	+ 0.1
C	- 1.5	- 1.2	- 0.5
D	+ 1.1	+ 0.9	- 0.3
E	- 1.3	- 1.2	- 0.5
F	+ 1.5	+ 1.1	+ 1.3
G	- 0.2	- 0.8	- 1.5
H	- 1.5	+ 1.4	+ 1.1
I	+ 1.3	+ 1.4	+ 0.8
J	+ 0.3	- 0.8	- 0.1



## Notes on sensor testing

All Nemoto specifications are based on testing within a gas filled chamber. Testing the sensor using a flow-through system will yield similar, but not identical, results. The Nemoto test set up is illustrated below:



The test chamber should be constructed of glass, or another material known not to absorb gases.

In Nemoto's test regime, test gases are introduced into the chamber by injection, following careful calculation of the amount of gas required to generate the required concentration within the chamber. This may also be accomplished by purging the chamber using gas from a test gas cylinder, provided the flow rate used is not high enough to cause turbulence in the chamber.

The gas inside the chamber should be gently agitated by a slow moving fan, to ensure that concentration gradients do not develop during testing, either by stratification layers forming in the chamber, or by the consumption of the gas by the sensors themselves.