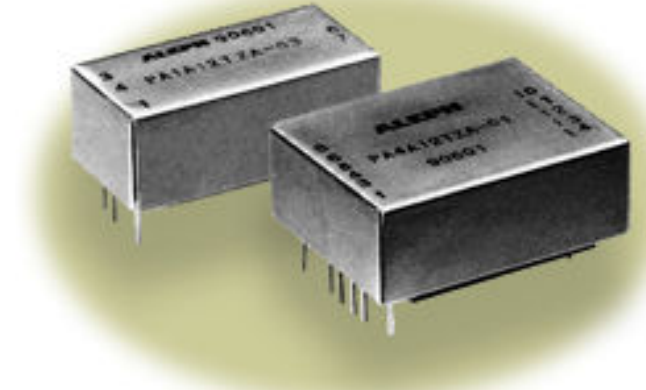


Low Thermal/PA Series

- Thermal EMF lower than $1\mu\text{V}$
- High insulation resistance
- Industry standard package
- Various contact configurations
- Standard E. S. & M. shielding



Coil Ratings

Part Number	Nominal Voltage (VDC)	Coil Resistance (ohms) $\pm 10\%$	Operate Voltage (VDC) max.	Release Voltage (VDC) min.	Schematics
PA1A**TZA	5 12	500 2000	4.0 10.0	0.5 1.0	
PA2A**TZA	5 12	500 2000	4.0 10.0	0.5 1.0	
PA3A**TZA	5 12	300 2000	4.0 10.0	0.5 1.0	

PA4A**TZA	5 12	500 2000	4.0 9.6	0.7 1.2	
-----------	---------	-------------	------------	------------	--

Notes - (M.S.) : Magnetic Shield (E.S.S.) : Electrostatic Shield

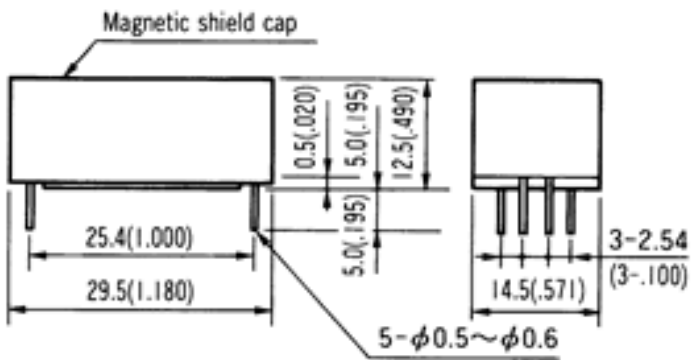
TAMB. = +20°C

(M.S.) : Magnetic Shield

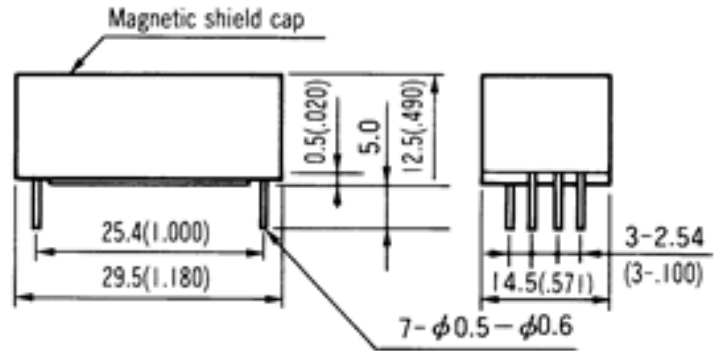
(E.S.S.) : Electrostatic Shield

Dimensions

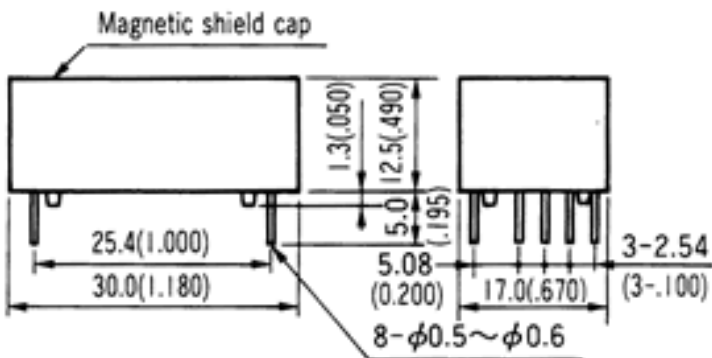
PA1A



PA2A



PA3A



PA4A

