

IT**International Technologies
Dr. Gambert GmbH**

Product specification:

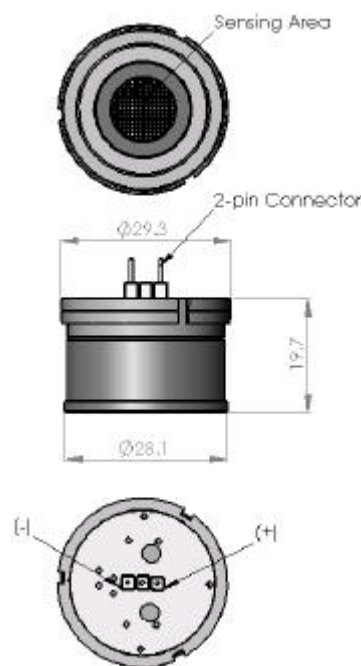
Industrial O₂-Sensor**Type: I - 05**

Part. No.: 48 00 17

Key features: O₂ cell designed for use in areas subject to explosion hazards, it may equally be applied in smoke gas analysis

All characteristics are based on conditions at 25°C, 50 % RH and 1013 hPa

| | |
|---------------------------------|---|
| Operating Principle: | galvanic fuel cell |
| Gas Connector: | flat base |
| Electrical Connector: | 2-pin on PCB |
| Measurement Range: | 0 - 100 Vol.% |
| Nominal Sensor Life: | > 500, 000 Vol.% h |
| Expected Operating Life: | 3 years @ ambient air |
| Output Signal: | 25 µA ± 5 µA @ dry ambient air |
| Response Time t ₉₀ : | < 12 s |
| Linearity Error: | 0 - 2 % oxygen: ± 0.1 % absolute 2.1 - 35 % oxygen: ± 0.5 % relative |
| Drift: | < 3 % signal per month |
| Operating Temperature: | 0 - 50°C |
| Pressure Range: | 600 - 1750 hPa |
| Influence of Humidity: | -0.03% rel. O ₂ reading / % RH |
| Temperature Compensation: | none |
| Interferences: | < 0.1% O ₂ responses to: 15.0 % CO ₂ balance N ₂ 16.0 % CO balance N ₂ 3,000 ppm NO balance N ₂ 3,000 ppm C ₃ H ₈ balance N ₂ 500 ppm SO ₂ balance N ₂ 1,000 ppm Benzene balance N ₂ |



Tolerance: ± 0.15 mm

Storage Conditions

| | |
|---------------------------------|---|
| Temperature Range: | - 20 to 55°C maximum 5 to 25°C recommended |
| Ambient Pressure: | 600 - 1750 hPa |
| Humidity: | up to 100 % RH |
| Material in Contact with Media: | PA 12, PPS, stainless steel, PTFE |
| Shelf Life: | < 4 months recommended |
| Weight: | approximately 25 g |
| Warranty Period: | 12 months |
| Housing Colour: | black |

This data sheet is subject to change without prior notice!

[I-05 Rev.02-05.doc]

page 1 / 1

IT Dr. Gambert GmbH, Hinter dem Chor 21, 23966 Wismar, GermanyTel.: +49 (0) 3841 22 00 50, Fax: +49 (0) 3841 22 00 522, sales@it-wismar.de, www.it-wismar.deSUNSTAR自动化 <http://www.sensor-ic.com/> TEL: 0755-83376489 FAX:0755-83376182 E-MAIL: szss20@163.com