



Product specification of:

Industrial O₂ Sensor

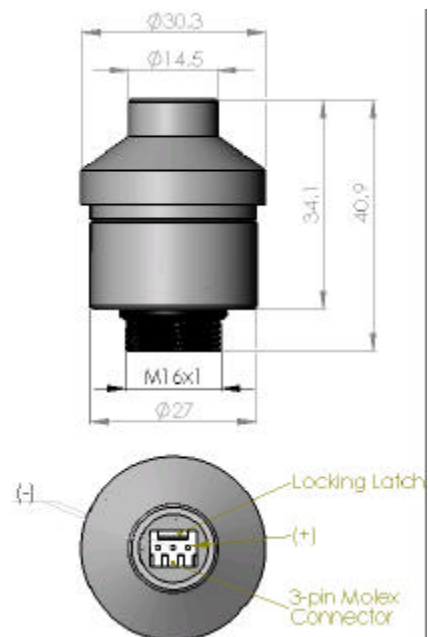
Type: I - 08

Part. No.: 48 00 23

Key features: High output voltage oxygen cell to be used for high resolutions between 0 and 25 Vol.% O₂.

All characteristics are based on conditions at 25°C, 50 % RH and 1013 hPa

Operating Principle:	galvanic fuel cell
Gas Connector:	M16 x 1 Thread
Electrical Connector:	3-pin Molex
Measurement Range:	0 - 25 Vol.%
Nominal Sensor Life:	> 750, 000 Vol.% h
Expected Operating Life:	3 years @ ambient air
Output Signal:	80 mV ± 5 mV @ dry ambient air
Response Time t_{90} :	< 5 s
Linearity Error:	0 - 2 % oxygen: ± 0.1 % absolute 2.1 - 25 % oxygen: ± 0.5 % relative
Drift:	10 % per year
Operating Temperature:	0 - 50°C
Pressure Range:	600 - 1750 hPa
Influence of Humidity:	-0.03% rel. O ₂ reading / % RH
Recommended Load Resistor:	≥ 10 kOhm
Temperature Compensation:	NTC
Interferences:	< 0.1% O ₂ response to: 12.0 % CO ₂ balance N ₂ 1, 000 ppm CO balance N ₂ 1, 900 ppm NO balance N ₂ 800 ppm H ₂ balance N ₂ 1, 000 ppm SO ₂ balance N ₂ 1.5 % CH ₄ alternating with air



Tolerance: ± 0.15 mm

Storage Conditions

Temperature Range:	-20 - 55°C maximum 5 - 30 °C recommended
Ambient Pressure:	600 - 1750 hPa
Humidity:	up to 100 % RH
Material in Contact with Media:	PA, PPS, PTFE, stainless steel
Shelf life:	< 6 months recommended
Weight:	approximately 25 g
Warranty Period:	12 months
Housing Colour:	black

This data sheet is subject to change without prior notice!

[I-08 Rev. 02-05.doc]

page 1 / 1

IT Dr. Gambert GmbH, Hinter dem Chor 21, 23966 Wismar, Germany

Tel.: +49 (0) 3841 22 00 50, Fax: +49 (0) 3841 22 00 522, sales@it-wismar.de, www.it-wismar.de

SUNSTAR自动化 <http://www.sensor-ic.com/> TEL: 0755-83376489 FAX:0755-83376182 E-MAIL: szss20@163.com