



**EC4-1000-H2S**

**Hydrogen Sulfide Electrochemical Sensor**

**PERFORMANCE**

Range ..... 0 - 1000 ppm  
 Sensitivity.....50 - 130 nA/ppm H2S  
 Zero in air at 20 °C..... <±8 ppm H2S  
 Resolution..... 1 ppm H2S  
 Expected lifetime ..... 2 years  
 Linearity .....linear across range  
 Response time, t90 ..... <45 s  
 Long-term output drift.....change in output per month

**OPERATING CONDITIONS**

Temperature range ..... -20 to +50 °C  
 Temperature coefficient ..... <0.5% signal per °C  
 Operating humidity..... 15 - 90% RH (non-condensing)  
 Pressure range ..... 90 - 110 kPa (nominal)  
 Operating circuit..... see Electrochemical Toxic Sensor Application Note  
 Applied potential ..... 0 V  
 Storage life..... 6 months in original packaging (0 - 25 °C)

**PHYSICAL CHARACTERISTICS**

Label colour .....silver  
 Weight..... 6 g  
 Dimensions ..... see outline

This device is designed to be RoHS compliant.

**CROSS-SENSITIVITY DATA**

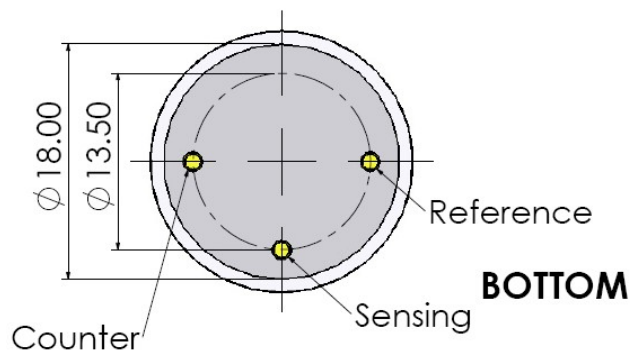
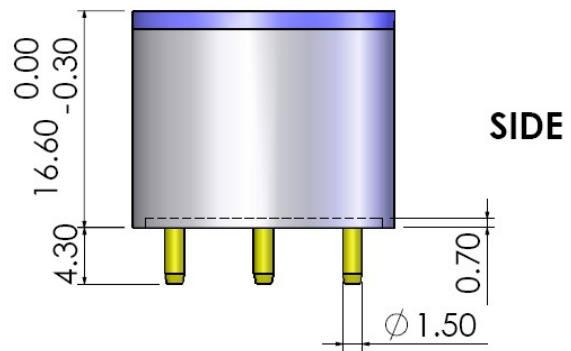
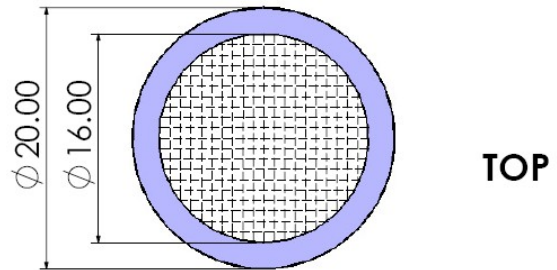
GAS	Concentration (ppm)	Sensor Response (As ppm H2S)
Carbon Monoxide	300	0
Sulfur Dioxide	5	0
Nitric Oxide	35	<3
Nitrogen Dioxide	5	0
Hydrogen	1000	0
Isobutylene	100	0

**Important Note**

Do not solder to the connector pins as this may damage the sensor and thereby invalidate the warranty.

Details on recommended connector pins can be found in the Frequently Asked Questions within the Gas Sensor section of the e2v website.

**OUTLINE**



All dimensions in mm.  
 All tolerances ±0.15mm unless otherwise stated.

Whilst e2v technologies has taken care to ensure the accuracy of the information contained herein it accepts no responsibility for the consequences of any use thereof and also reserves the right to change the specification of goods without notice. e2v technologies accepts no liability beyond the set out in its standard conditions of sale in respect of infringement of third party patents arising from the use of tubes or other devices in accordance with information contained herein.

e2v technologies (uk) limited, Waterhouse Lane, Chelmsford, Essex CM1 2QU United Kingdom Telephone: +44 (0)1245 493493 Facsimile: +44 (0)1245 492492

e-mail: [enquiries@e2v.com](mailto:enquiries@e2v.com) Internet: [www.e2v.com](http://www.e2v.com) Holding Company: e2v technologies plc

e2v technologies inc. 520 White Plains Road, Suite 450, Tarrytown, NY10591 USA Telephone: (914) 592-6050 Facsimile: (914) 592-5148 e-mail: [enquiries@e2vtechnologies.us](mailto:enquiries@e2vtechnologies.us)

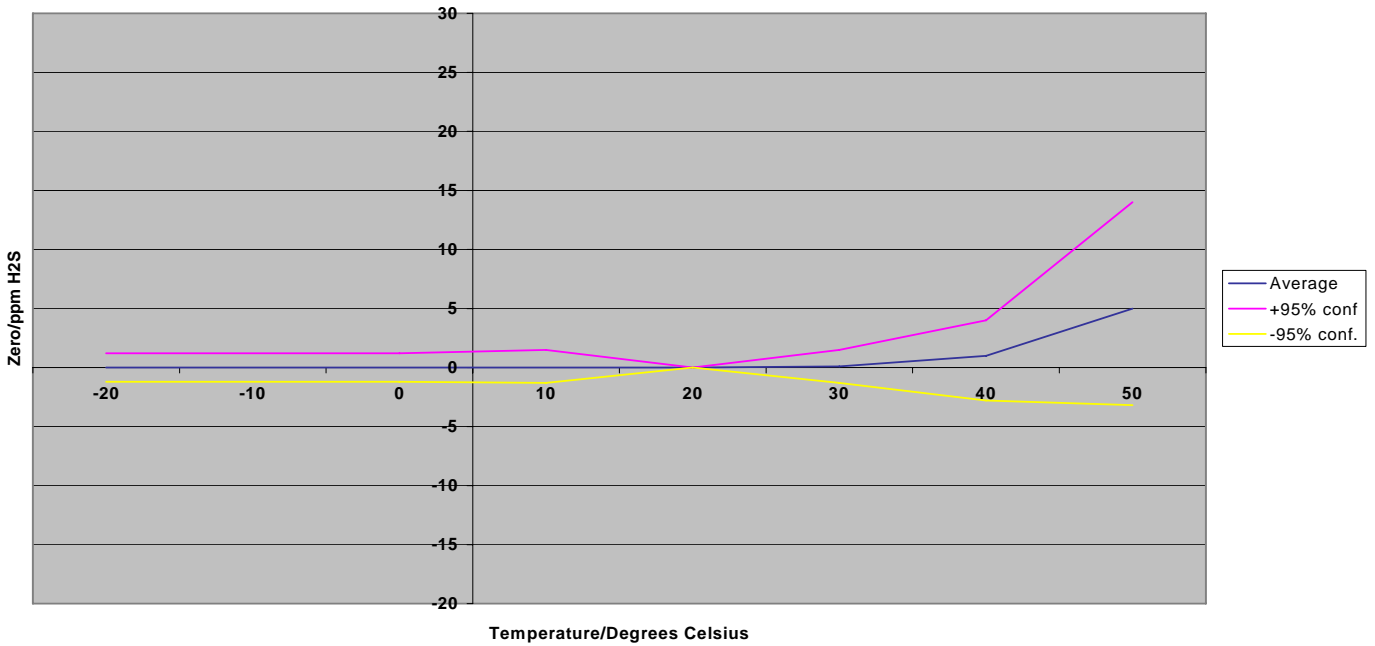
© e2v technologies (uk) limited 2009

A1A-764712 Version 3, October 2009

Template: DF764388A-2

## TEMPERATURE DEPENDENCE

EC4-1000-H2S Graph of Zero vs Temperature



EC4-1000-H2S Graph of Net Sensitivity vs Temperature

