

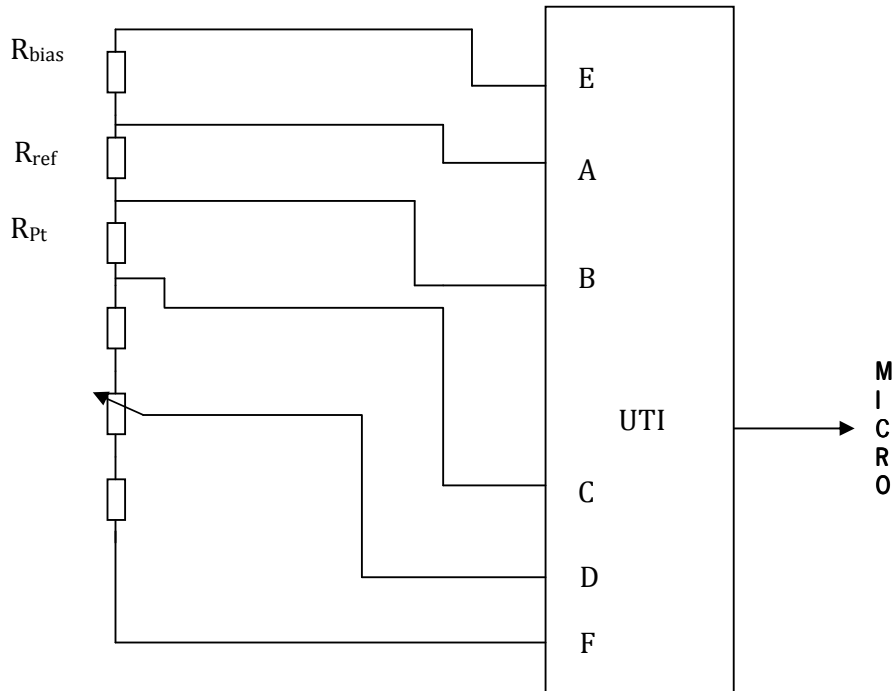
Measuring one Pt-element and a Potentiometer

reference
pt1000@potmeter uti.doc

page
1/1

Measuring one Pt100/1000 and a Potentiometer

Sometimes users ask us the possibility to measure a Pt element and a potentiometer in the same way with one UTI. Below a setup for that purpose is depicted. The position of the potentiometer is related to the Rref in the circuit. The same Rref as used to measure the Pt element. For further information please go to the datasheet of the UTI (Mode 7).



Setup for measurement of one PT1000 and a potmeter.

