

## 8 Pt elements connected to UTI

reference  
8-pt elements to uti.doc

page  
1/1

### 8 Pt elements connected to UTI

This factsheet describes the way how to connect more Pt elements to one UTI. By means of the switches S1 – S4 the user can select which one of the Pt elements is connected to the UTI. Due to the fact points A – D are high impedance inputs the resistances of the switches can be neglected. The measurement setup is based on the 4-wire technique for optimal measurement accuracy. The switches are controlled by the microcontroller which means the user is free to select what to measure. On a regular base the Rref and the offset has to be measured. Therefore please go to the specifications of the UTI (mode 11 figure b). The setup is depicted below.

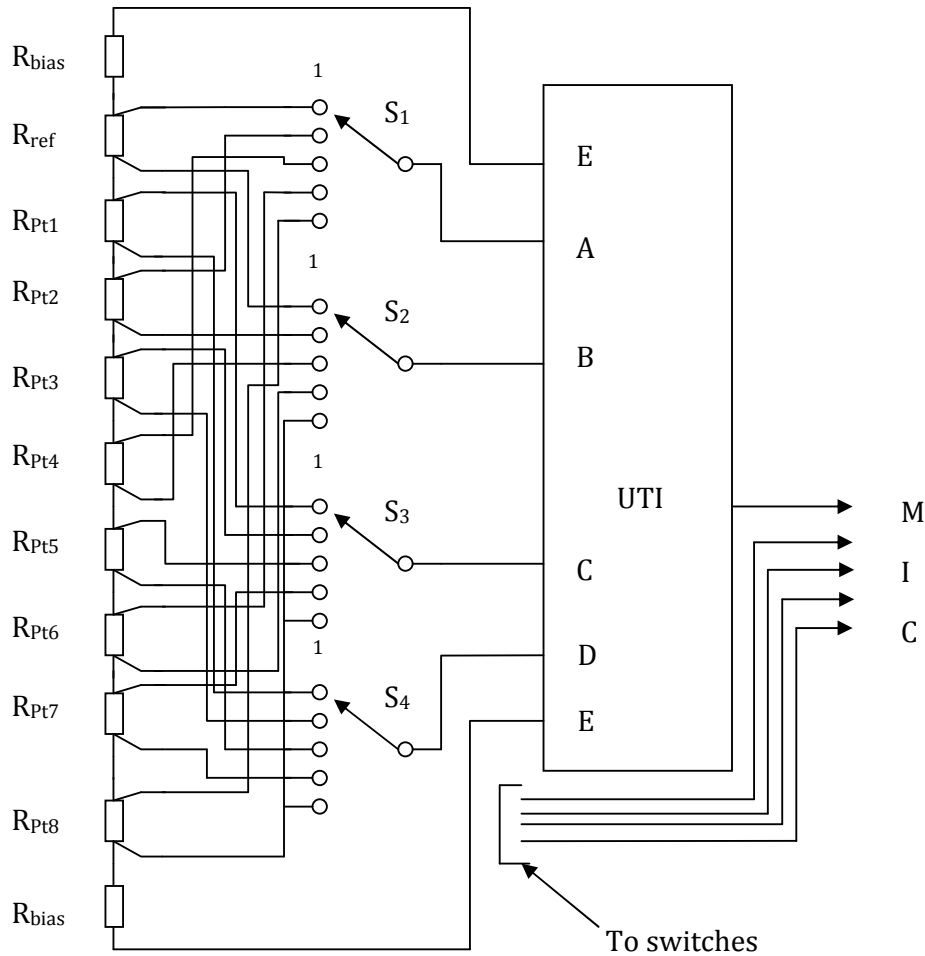


Figure 1. Setup for measuring 8 PT100 elements (4- wire method)