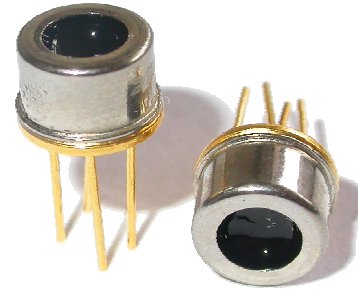


A 20 BAR ABSOLUTE PRESSURE SENSOR: SPD300ABto05

This 20 bar absolute pressure sensor is specially designed for measuring the pressure of liquefied gasses (like l.g.p.). Using an Absolute type pressure sensor has a distinct safety advantage over a Gauge type pressure sensor for this type of applications.



In case of a malfunction of the membrane of a Gauge type pressure sensor a gas leak could occur. Using an Absolute type pressure sensor completely circumvents this safety issue.

The trade-off is that the connecting wires carrying the electrical signals have to be run inside the pressurized container.

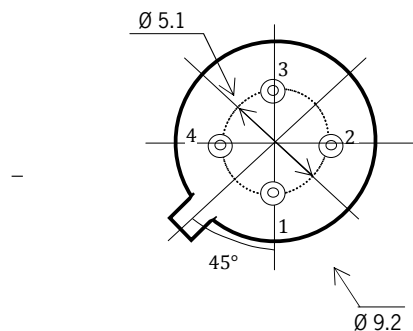
The TO5 metal can encapsulation is especially suited for mounting in a ruggedized brass fitting.

Electrical Characteristics

Characteristic @ Vcc = 5V and 25 °C

Parameter	Min	Typ	Max	Units.
Excitation Voltage	0	5	10	V
Excitation Current	-	1.5		mA
Span (fs) 300 psi	130	220	275	mV
Offset	-30	0	+30	mV
Temp Coeff Span	-15	-19	-23	%FS/100°C
Temp Coeff Offset	-7		+7	%FS/100°C
Linearity		±1.0		%FS
Bridge resistance	2.7	3.3	4.0	kΩ
Pressure overload			2 x	Rated FS
Operating temperature	-20		85	°C
Storage temperature	-40		150	°C

- Wetted materials are: nickel, silicon, RTV, gold and glass
- Other pressure ranges on request



tube Ø 8.1 mm

