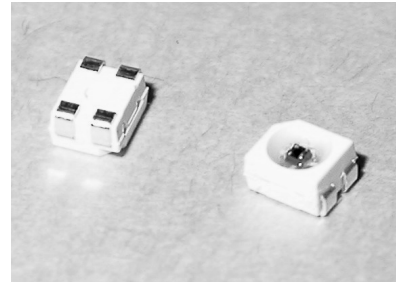


## Solid State pressure sensor for Absolute (atmospheric) pressure in SOT. SPDatmBSOT

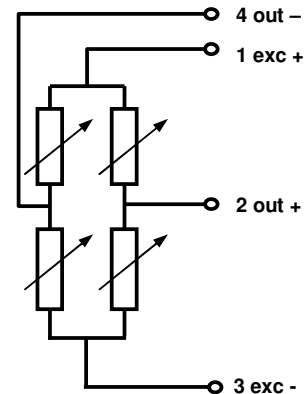
The SOT series SPD Absolute atmospheric Pressure sensor is designed for space sensitive applications and is encapsulated in a standard SOT package. The sensor has a bridge output especially for power related applications. Standard the atmospheric range of 15 PSI (1 Bar) and other ranges can be made on request.



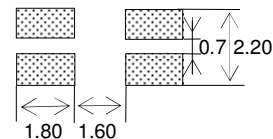
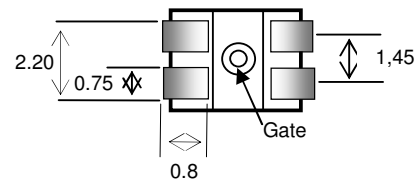
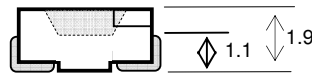
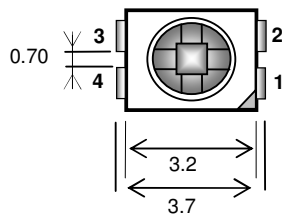
### Electrical Characteristics

Performance Characteristic at Vcc =5V excitation @ 25 °C.

Parameter	Min	Typ	Max	Units.
Excitation Voltage		5		V
Excitation Current		1		mA
Pressure range	0		15	psi
Span (@15 PSI)	65	100	135	mV
Offset	-35	0	35	mV
Temp Coeff. Span	-24	-19	-15,5	%FS/100°C
Temp Coeff. Offset	-7	-1	7	%FS/100°C
Linearity 1)	-0,2	-0,07	0,2	%FS
Bridge impedance	4	5	6	KΩ
Operating temperature	-40		125	°C
Storage temperature	-50		135	°C
Over pressure			3x	FS



Wetted materials are: LCP, Ag and silicon  
 1) all errors included



All sizes in mm (not to scale)

