

CT05 SERIES MOLDED SWITCH




CT05 Series

The CT05 is a molded dry reed switch. It is single-pole, single throw (SPST) type, having normally open ruthenium contacts.

The sensor is a double-ended type and may be actuated with an electromagnet, a permanent magnet or a combination of both.

The device is designed for SMD mounting and is available in Gull Wing or J-lead configurations.

CT05 Series Features

- ▶ Ideal for SMD pick and place
- ▶ Tape and reel packaging
- ▶ 5W rating
- ▶ Rugged encapsulation
- ▶ Excellent life and reliability
- ▶ RoHS compliant 

APPLICATIONS

- ▶ Proximity Sensing
- ▶ Medical Applications
- ▶ Hearing Aids
- ▶ Pulse Counter

| MODEL NUMBER | | CT05-XXXX-G1 | CT05-XXXX-J1 |
|--------------------------------------|--------------|-----------------|-----------------|
| Parameters | Units | | |
| OPERATING CHARACTERISTICS | | | |
| Operate Range | AT | 15-50 | 15-50 |
| Release Range | AT | 5-45 | 5-45 |
| ELECTRICAL CHARACTERISTICS | | | |
| Switched Power (max) | W | 5 | 5 |
| Switched Voltage DC (max) | V | 140 | 140 |
| Switched Voltage AC, RMS value (max) | V | 100 | 100 |
| Switched Current DC (max) | mA | 350 | 350 |
| Switched Current AC, RMS value (max) | mA | 250 | 250 |
| Carry Current DC (max) | A | 0.5 | 0.5 |
| Breakdown Voltage (min) | V | 230 | 230 |
| Contact Resistance (initial max) | mΩ | 160 | 160 |
| Contact Resistance (initial typ.) | mΩ | 140 | 140 |
| Insulation Resistance (min) | MΩ | 10 ⁶ | 10 ⁶ |
| ENVIRONMENTAL RATINGS | | | |
| Storage Temperature | °C | -40 to + 125 | -40 to + 125 |
| Operating Temperature | °C | -40 to + 125 | -40 to + 125 |
| Vibration Temperature | G | 10 | 10 |
| Shock Resistance | G | 100 | 100 |

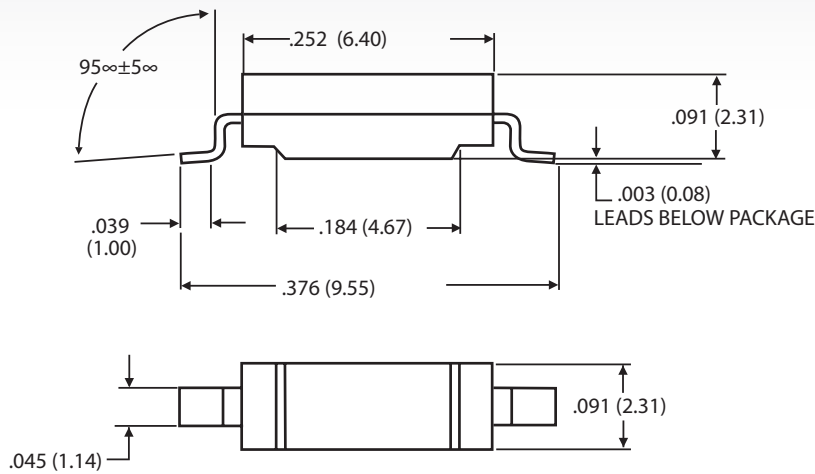
NOTES

- ▶ AT values measured using a Philips 10JK coil.
- ▶ Surface mount component processing temperature: 500°F(260°C) max for 1 minute dwell time.
- ▶ Temperature measured on leads where lead exits molded package.

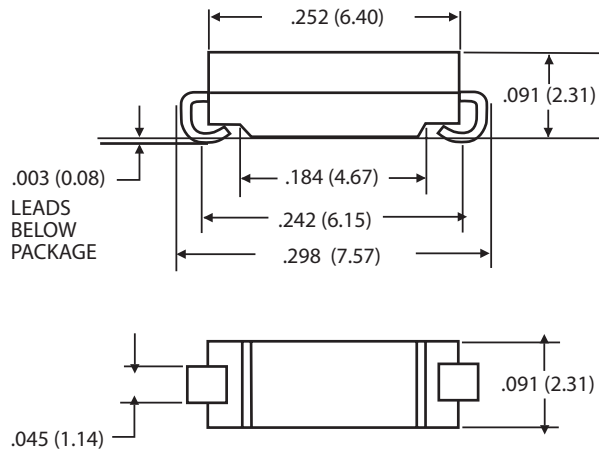
DIMENSIONS

max Inches (Millimeters)

CT05-XXXX-G1



CT05-XXXX-J1



ORDERING INFORMATION

A complete part number is represented by the digits to the right of the CT05 series prefix followed by a suffix as shown below.

EXAMPLE: CT05-3050-G1 is

- ▶ a CT05 sensor (5mm encapsulated switch)
- ▶ with a sensitivity range from 30 to 50AT
- ▶ lead ends are formed according to the G1 version
- ▶ CT05-XXXX (0001-1999) without a suffix is a customer special.

| CT05-XXXX-YY | |
|---|-----------------------------------|
| Series | Lead Configuration Subset: |
| CT05 | G1 for Gull Wing Version |
| | J1 for J-Lead Version |
| Std. AT Ranges (measured after mold & lead form) | |
| 15-35; 30-50 | |