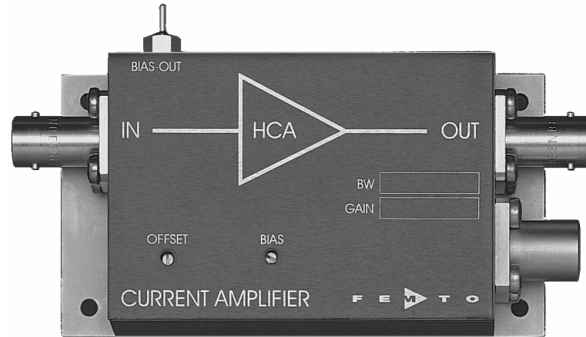




Datasheet

HCA-1M-1M

High Speed Current Amplifier

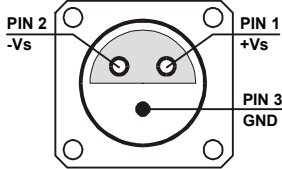


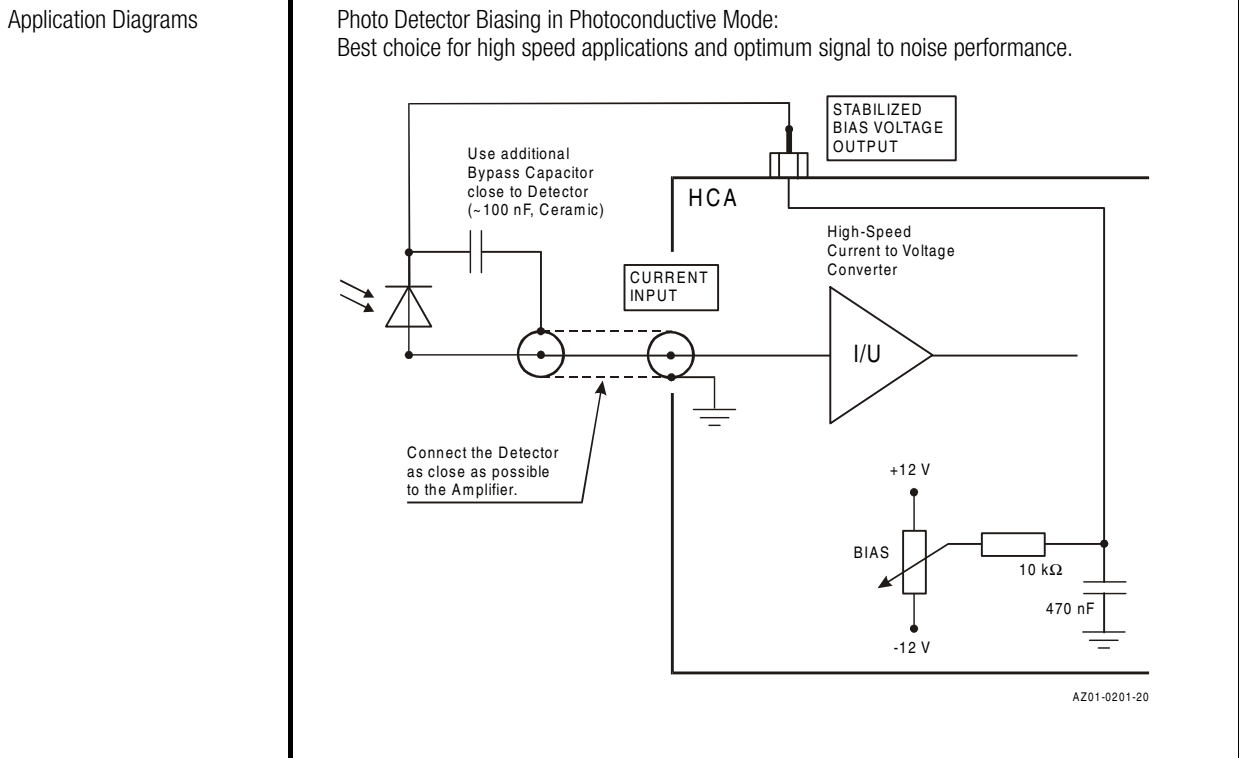
Features	<ul style="list-style-type: none"> • Bandwidth and Frequency Response Independent of Detector Capacitance (up to 50 pF) • Low Noise 270 fA/√Hz Equivalent Input Noise Current • Bandwidth DC ... 1 MHz • Transimpedance (Gain) 1 x 10⁶ V/A • Protection against ± 3.5 kV Transients 																																												
Applications	<ul style="list-style-type: none"> • Photodiode and Photomultiplier Amplifier • Spectroscopy • Charge Amplifier • Ionisation Detectors • Preamplifier for Lock-Ins, A/D Converters, etc. 																																												
Specifications	<table border="0"> <tr> <td></td> <td><i>Test Conditions</i></td> <td><i>Vs = ± 15 V, Ta = 25°C</i></td> </tr> <tr> <td rowspan="2">Gain</td> <td>Transimpedance</td> <td>1 x 10⁶ V/A (@ 50 Ω load)</td> </tr> <tr> <td>Gain Accuracy</td> <td>± 1 %</td> </tr> <tr> <td rowspan="4">Frequency Response</td> <td>Lower Cut-Off Frequency</td> <td>DC</td> </tr> <tr> <td>Upper Cut-Off Frequency (- 3 dB)</td> <td>1 MHz</td> </tr> <tr> <td>Rise / Fall Time (10 % - 90 %)</td> <td>350 ns</td> </tr> <tr> <td>Gain Flatness</td> <td>± 0.3 dB</td> </tr> <tr> <td rowspan="8">Input</td> <td>Equ. Input Noise Current</td> <td>270 fA/√Hz (@ 10 kHz)</td> </tr> <tr> <td>Equ. Input Noise Voltage</td> <td>6 nV/√Hz (@ 10 kHz)</td> </tr> <tr> <td>Input Bias Current</td> <td>5 pA typ.</td> </tr> <tr> <td>Input Bias Current Drift</td> <td>factor 1.7 / 10 K</td> </tr> <tr> <td>Offset Current Compensation</td> <td>± 2.7 μA adjustable by offset trimpot</td> </tr> <tr> <td>Input Current Range</td> <td>± 1.5 μA (for linear amplification)</td> </tr> <tr> <td>Input Offset Voltage</td> <td>2 mV</td> </tr> <tr> <td>DC Input Impedance</td> <td>50 Ω (virtual) // 5 pF</td> </tr> <tr> <td rowspan="2">Output</td> <td>Output Voltage Range</td> <td>± 1.5 V (@ 50 Ω load) for linear operation and low harmonic distortion</td> </tr> <tr> <td>Output Impedance</td> <td>50 Ω (terminate with 50 Ω load for best performance)</td> </tr> <tr> <td rowspan="2">Bias Output</td> <td>Bias Output Voltage Range</td> <td>± 12 V, adjustable by bias trimpot</td> </tr> <tr> <td>Bias Output Impedance</td> <td>10 kΩ // 1 μF</td> </tr> </table>		<i>Test Conditions</i>	<i>Vs = ± 15 V, Ta = 25°C</i>	Gain	Transimpedance	1 x 10 ⁶ V/A (@ 50 Ω load)	Gain Accuracy	± 1 %	Frequency Response	Lower Cut-Off Frequency	DC	Upper Cut-Off Frequency (- 3 dB)	1 MHz	Rise / Fall Time (10 % - 90 %)	350 ns	Gain Flatness	± 0.3 dB	Input	Equ. Input Noise Current	270 fA/√Hz (@ 10 kHz)	Equ. Input Noise Voltage	6 nV/√Hz (@ 10 kHz)	Input Bias Current	5 pA typ.	Input Bias Current Drift	factor 1.7 / 10 K	Offset Current Compensation	± 2.7 μA adjustable by offset trimpot	Input Current Range	± 1.5 μA (for linear amplification)	Input Offset Voltage	2 mV	DC Input Impedance	50 Ω (virtual) // 5 pF	Output	Output Voltage Range	± 1.5 V (@ 50 Ω load) for linear operation and low harmonic distortion	Output Impedance	50 Ω (terminate with 50 Ω load for best performance)	Bias Output	Bias Output Voltage Range	± 12 V, adjustable by bias trimpot	Bias Output Impedance	10 kΩ // 1 μF
	<i>Test Conditions</i>	<i>Vs = ± 15 V, Ta = 25°C</i>																																											
Gain	Transimpedance	1 x 10 ⁶ V/A (@ 50 Ω load)																																											
	Gain Accuracy	± 1 %																																											
Frequency Response	Lower Cut-Off Frequency	DC																																											
	Upper Cut-Off Frequency (- 3 dB)	1 MHz																																											
	Rise / Fall Time (10 % - 90 %)	350 ns																																											
	Gain Flatness	± 0.3 dB																																											
Input	Equ. Input Noise Current	270 fA/√Hz (@ 10 kHz)																																											
	Equ. Input Noise Voltage	6 nV/√Hz (@ 10 kHz)																																											
	Input Bias Current	5 pA typ.																																											
	Input Bias Current Drift	factor 1.7 / 10 K																																											
	Offset Current Compensation	± 2.7 μA adjustable by offset trimpot																																											
	Input Current Range	± 1.5 μA (for linear amplification)																																											
	Input Offset Voltage	2 mV																																											
	DC Input Impedance	50 Ω (virtual) // 5 pF																																											
Output	Output Voltage Range	± 1.5 V (@ 50 Ω load) for linear operation and low harmonic distortion																																											
	Output Impedance	50 Ω (terminate with 50 Ω load for best performance)																																											
Bias Output	Bias Output Voltage Range	± 12 V, adjustable by bias trimpot																																											
	Bias Output Impedance	10 kΩ // 1 μF																																											

Datasheet

HCA-1M-1M

High Speed Current Amplifier

Specifications (continued)	<table border="0"> <tr> <td>Power Supply</td> <td>Supply Voltage</td> <td>$\pm 15\text{ V}$</td> </tr> <tr> <td></td> <td>Supply Current</td> <td>$\pm 50\text{ mA typ.}$ (depends on operating conditions, recommended power supply capability minimum $\pm 150\text{ mA}$)</td> </tr> <tr> <td>Case</td> <td>Weight</td> <td>210 g (0.5 lbs)</td> </tr> <tr> <td></td> <td>Material</td> <td>AlMg4.5Mn, nickel-plated</td> </tr> <tr> <td>Temperature Range</td> <td>Storage Temperature</td> <td>$-40 \dots +100\text{ }^\circ\text{C}$</td> </tr> <tr> <td></td> <td>Operating Temperature</td> <td>$0 \dots +60\text{ }^\circ\text{C}$</td> </tr> </table>	Power Supply	Supply Voltage	$\pm 15\text{ V}$		Supply Current	$\pm 50\text{ mA typ.}$ (depends on operating conditions, recommended power supply capability minimum $\pm 150\text{ mA}$)	Case	Weight	210 g (0.5 lbs)		Material	AlMg4.5Mn, nickel-plated	Temperature Range	Storage Temperature	$-40 \dots +100\text{ }^\circ\text{C}$		Operating Temperature	$0 \dots +60\text{ }^\circ\text{C}$
Power Supply	Supply Voltage	$\pm 15\text{ V}$																	
	Supply Current	$\pm 50\text{ mA typ.}$ (depends on operating conditions, recommended power supply capability minimum $\pm 150\text{ mA}$)																	
Case	Weight	210 g (0.5 lbs)																	
	Material	AlMg4.5Mn, nickel-plated																	
Temperature Range	Storage Temperature	$-40 \dots +100\text{ }^\circ\text{C}$																	
	Operating Temperature	$0 \dots +60\text{ }^\circ\text{C}$																	
Absolute Maximum Ratings	<table border="0"> <tr> <td>Input Voltage</td> <td>$\pm 5\text{ V}$</td> </tr> <tr> <td>Input Voltage Transient</td> <td>$\pm 3.5\text{ kV}$ (pulsewidth 10 ns)</td> </tr> <tr> <td>Power Supply Voltage</td> <td>$\pm 22\text{ V}$</td> </tr> </table>	Input Voltage	$\pm 5\text{ V}$	Input Voltage Transient	$\pm 3.5\text{ kV}$ (pulsewidth 10 ns)	Power Supply Voltage	$\pm 22\text{ V}$												
Input Voltage	$\pm 5\text{ V}$																		
Input Voltage Transient	$\pm 3.5\text{ kV}$ (pulsewidth 10 ns)																		
Power Supply Voltage	$\pm 22\text{ V}$																		
Connectors	<table border="0"> <tr> <td>Input</td> <td>BNC</td> </tr> <tr> <td>Output</td> <td>BNC</td> </tr> <tr> <td>Power Supply</td> <td>LEMO series 1S, 3-pin fixed socket</td> </tr> <tr> <td></td> <td>Pin 1: +15V</td> </tr> <tr> <td></td> <td>Pin 2: -15V</td> </tr> <tr> <td></td> <td>Pin 3: GND</td> </tr> </table> 	Input	BNC	Output	BNC	Power Supply	LEMO series 1S, 3-pin fixed socket		Pin 1: +15V		Pin 2: -15V		Pin 3: GND						
Input	BNC																		
Output	BNC																		
Power Supply	LEMO series 1S, 3-pin fixed socket																		
	Pin 1: +15V																		
	Pin 2: -15V																		
	Pin 3: GND																		

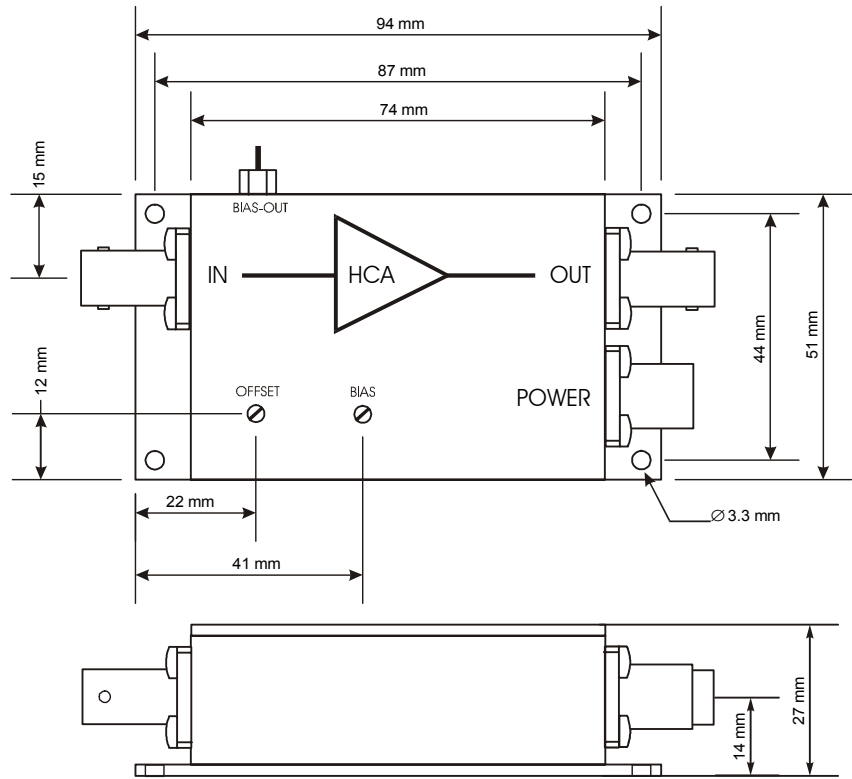


Datasheet

HCA-1M-1M

High Speed Current Amplifier

Dimensions



DZ01-0201-22

FEMTO Messtechnik GmbH
 Klosterstr. 64
 D-10179 Berlin · Germany
 Tel.: +49-(0)30-280 4711-0
 Fax: +49-(0)30-280 4711-11
 e-mail: info@femto.de
<http://www.femto.de>

Specifications are subject to change without notice. Information furnished herein is believed to be accurate and reliable. However, no responsibility is assumed by FEMTO Messtechnik GmbH for its use, nor for any infringement of patents or other rights granted by implication or otherwise under any patent rights of FEMTO Messtechnik GmbH. Product names mentioned may also be trademarks used here for identification purposes only.

© by FEMTO Messtechnik GmbH
 Printed in Germany

SOPHISTICATED TOOLS FOR SIGNAL RECOVERY

