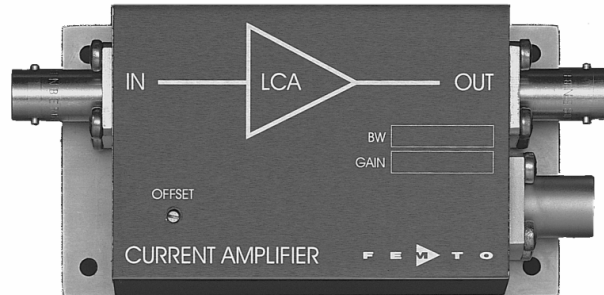


Datasheet

LCA-1K-5G

Ultra-Low-Noise Current Amplifier



Features	<ul style="list-style-type: none"> • Bandwidth and Frequency Response Independent of Detector-Capacitance (up to 10 nF) • Extremely Low Noise, 3 fA/√Hz Equivalent Input Noise Current • Bandwidth DC ... 1 kHz • Transimpedance (Gain) 5 x 10⁹ V/A 	
Applications	<ul style="list-style-type: none"> • Photodiode- and Photomultiplier-Amplifier • Spectroscopy • Charge-Amplifier • Ionisation Detectors • Preamplifier for Lock-Ins, A/D-Converters, etc. 	
Specifications	<p><i>Test Conditions</i></p> <p>Gain</p> <p>Frequency Response</p> <p>Input</p> <p>Output</p> <p>Power Supply</p> <p>Case</p> <p>Temperature Range</p>	<p><i>Vs = ± 15 V, Ta = 25°C</i></p> <p>Transimpedance 5 x 10⁹ V/A (>10 kΩ Load)</p> <p>Accuracy ± 1%</p> <p>Lower Cut-Off Frequency DC</p> <p>Upper Cut-Off Frequency 1 kHz (- 3 dB)</p> <p>Rise- / Fall-Time 400 μs (10% - 90%)</p> <p>Gain Flatness ± 0.1 dB</p> <p>Equ. Input Noise Current 3 fA/√Hz (@ 300 Hz)</p> <p>Equ. Input Noise Voltage 8 nV/√Hz (@ 300 Hz)</p> <p>Input Bias Current 2 pA typ.</p> <p>Input Bias Current Drift Factor 2.3 / 10 K</p> <p>Offset Current Compensation ± 600 pA, Adjustable by Offset-Trimpot</p> <p>Max. Input Current ± 2 nA (Linear Amplification)</p> <p>Input Offset Voltage < 1 mV</p> <p>DC Input Impedance 50 Ω (Virtual) // 5 pF</p> <p>Output Voltage ± 10 V (>10 kΩ Load)</p> <p>Output Impedance 50 Ω (Terminate with >10 kΩ for best Performance)</p> <p>Max. Output Current ± 10 mA (Linear Amplification)</p> <p>Supply Voltage ± 15 V</p> <p>Supply Current ± 45 mA typ.</p> <p>Weight 210 gr. (0.5 lbs)</p> <p>Material AlMg4.5Mn, nickel-plated</p> <p>Storage Temperature -40 ... +100 °C</p> <p>Operating Temperature 0 ... +60 °C</p>

Datasheet

LCA-1K-5G

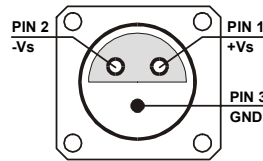
Ultra-Low-Noise Current Amplifier

Absolute Maximum Ratings

Input Voltage	$\pm 7\text{ V}$
Power Supply Voltage	$\pm 22\text{ V}$

Connectors

Input	BNC
Output	BNC
Power Supply	LEMO Series 1S, 3-pin Fixed Socket Pin 1: + 15V Pin 2: - 15V Pin 3: GND



Application Diagrams

Photo Detector Biasing in Photovoltaic Mode:
Use for Low Speed Applications and Minimum Dark Current.

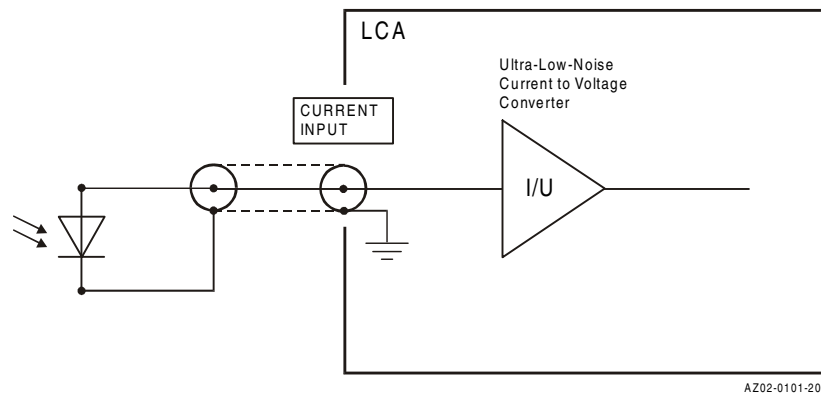
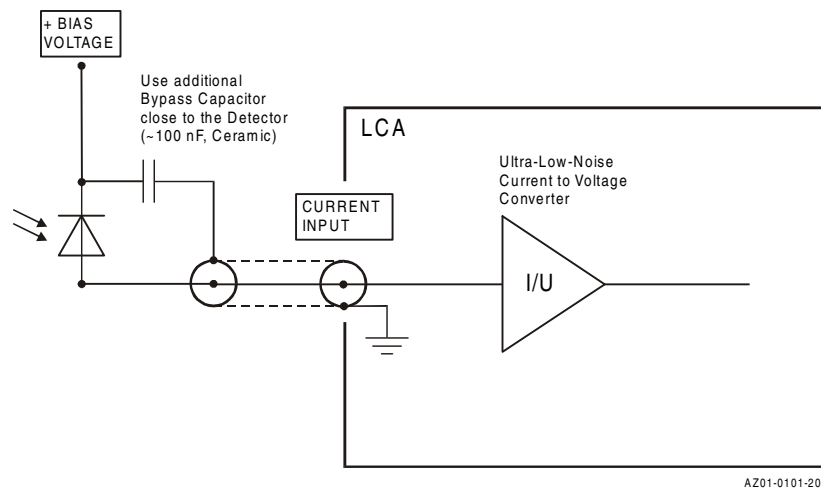


Photo Detector Biasing in Photoconductive Mode:
Use for Fast Applications and if More Dark Current is Tolerable.
Bias Voltage Decreases Detector Capacitance.

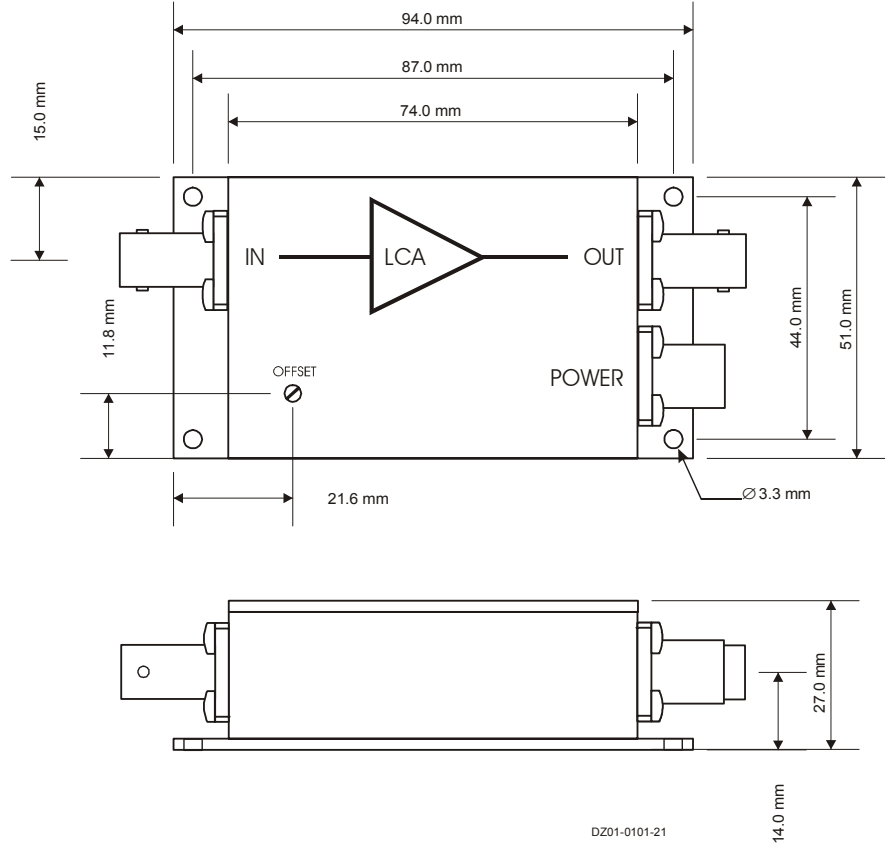


Datasheet

LCA-1K-5G

Ultra-Low-Noise Current Amplifier

Dimensions



FEMTO Messtechnik GmbH
 Klosterstr. 64
 D-10179 Berlin · Germany
 Tel.: +49-(0)30-280 4711-0
 Fax: +49-(0)30-280 4711-11
 e-mail: info@femto.de
<http://www.femto.de>

Specifications are subject to change without notice. Information furnished herein is believed to be accurate and reliable. However, no responsibility is assumed by FEMTO Messtechnik GmbH for its use, nor for any infringement of patents or other rights granted by implication or otherwise under any patent rights of FEMTO Messtechnik GmbH. Product names mentioned may also be trademarks used here for identification purposes only.
 © by FEMTO Messtechnik GmbH
 Printed in Germany

SOPHISTICATED TOOLS FOR SIGNAL RECOVERY

