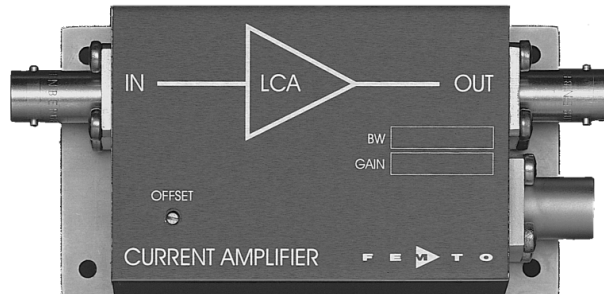




Datasheet

LCA-40K-100M

Ultra-Low-Noise Current Amplifier



Features	<ul style="list-style-type: none"> • Bandwidth and Frequency Response Independent of Detector-Capacitance (up to 10 nF) • Extremely Low Noise, 19 fA/√Hz Equivalent Input Noise Current • Bandwidth DC ... 40 kHz • Transimpedance (Gain) 1 x 10⁸ V/A 	
Applications	<ul style="list-style-type: none"> • Photodiode- and Photomultiplier-Amplifier • Spectroscopy • Charge-Amplifier • Ionisation Detectors • Preamplifier for Lock-Ins, A/D-Converters, etc. 	
Specifications	<p><i>Test Conditions</i></p> <p>Gain</p> <p>Frequency Response</p> <p>Input</p> <p>Output</p> <p>Power Supply</p> <p>Case</p> <p>Temperature Range</p>	<p><i>Vs = ± 15 V, Ta = 25°C</i></p> <p>Transimpedance Accuracy</p> <p>Lower Cut-Off Frequency</p> <p>Upper Cut-Off Frequency</p> <p>Rise- / Fall-Time</p> <p>Gain Flatness</p> <p>Equ. Input Noise Current</p> <p>Equ. Input Noise Voltage</p> <p>Input Bias Current</p> <p>Input Bias Current Drift</p> <p>Offset Current Compensation</p> <p>Max. Input Current</p> <p>Input Offset Voltage</p> <p>DC Input Impedance</p> <p>Output Voltage</p> <p>Output Impedance</p> <p>Max. Output Current</p> <p>Supply Voltage</p> <p>Supply Current</p> <p>Weight</p> <p>Material</p> <p>Storage Temperature</p> <p>Operating Temperature</p>
Absolute Maximum Ratings	<p>Input Voltage</p> <p>Power Supply Voltage</p>	

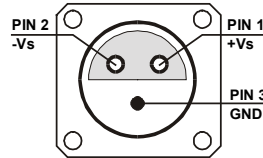
Datasheet

LCA-40K-100M

Ultra-Low-Noise Current Amplifier

Connectors

Input BNC
 Output BNC
 Power Supply LEMO Series 1S, 3-pin Fixed Socket
 Pin 1: + 15V
 Pin 2: - 15V
 Pin 3: GND



Application Diagrams

Photo Detector Biasing in Photovoltaic Mode:
 Use for Low Speed Applications and Minimum Dark Current.

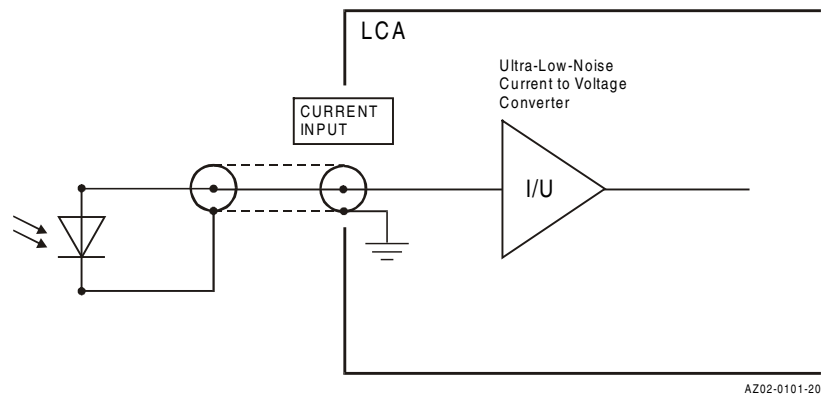
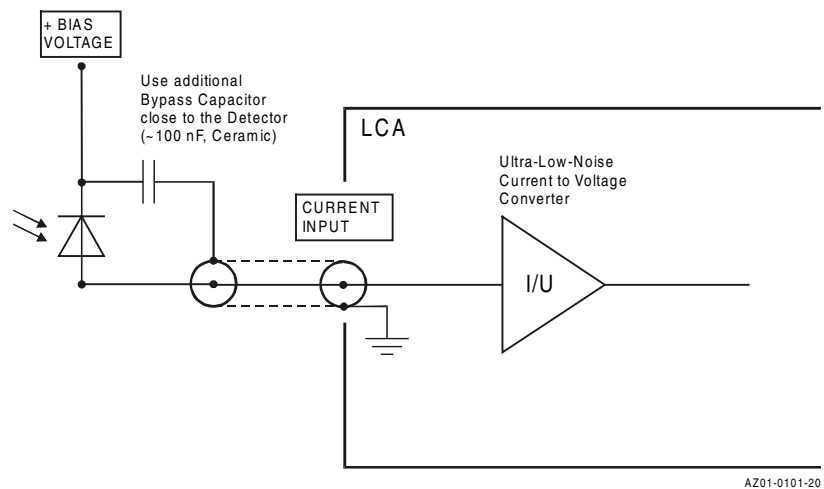


Photo Detector Biasing in Photoconductive Mode:
 Use for Fast Applications and if More Dark Current is Tolerable.
 Bias Voltage Decreases Detector Capacitance.

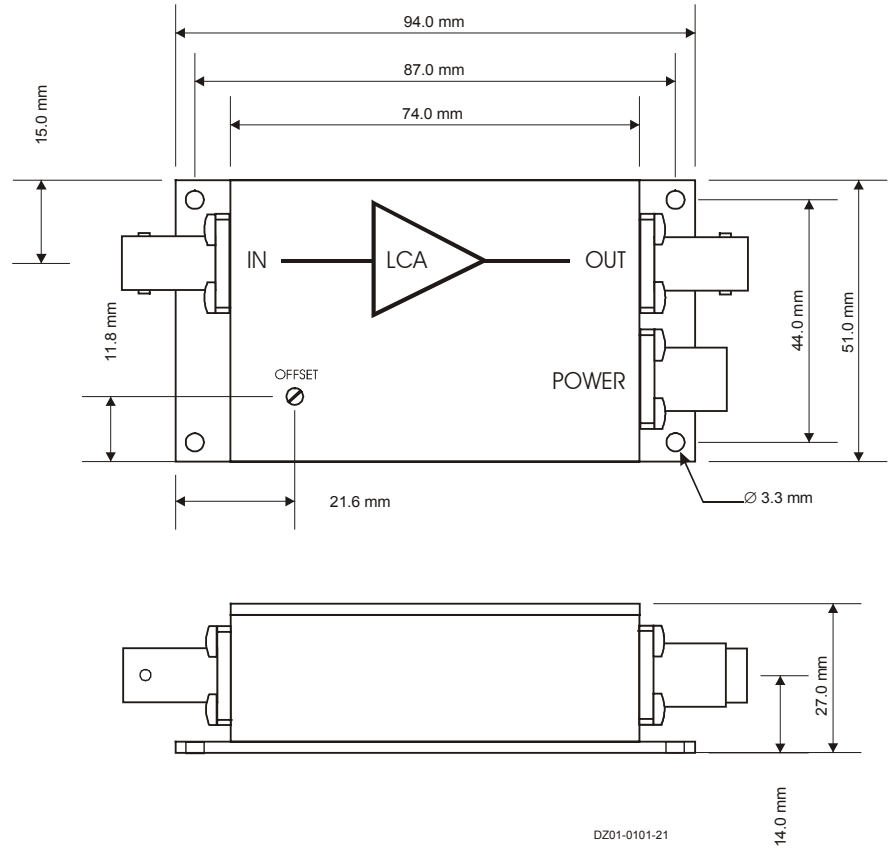


Datasheet

LCA-40K-100M

Ultra-Low-Noise Current Amplifier

Dimensions



FEMTO Messtechnik GmbH
 Paul-Lincke-Ufer 34
 D-10999 Berlin · Germany
 Tel.: +49 (0)30 – 4 46 93 86
 Fax: +49 (0)30 – 4 46 93 88
 e-mail: info@femto.de
<http://www.femto.de>

Specifications are subject to change without notice. Information furnished herein is believed to be accurate and reliable. However, no responsibility is assumed by FEMTO Messtechnik GmbH for its use, nor for any infringement of patents or other rights granted by implication or otherwise under any patent rights of FEMTO Messtechnik GmbH. Product names mentioned may also be trademarks used here for identification purposes only.
 © by FEMTO Messtechnik GmbH
 Printed in Germany