



# Infrared Emitter IRS-001C

## High Power & Low Cost IR source

- IRS' Infrared emitters can be used as continuous emitting source, which provides simultaneous blackbody radiation, without any absorption by windows/filters.
- Coiled filament is designed to operate at temperature of 850~950C(1120~1220K) with an emissivity of  $0.7 \pm 0.15$ .



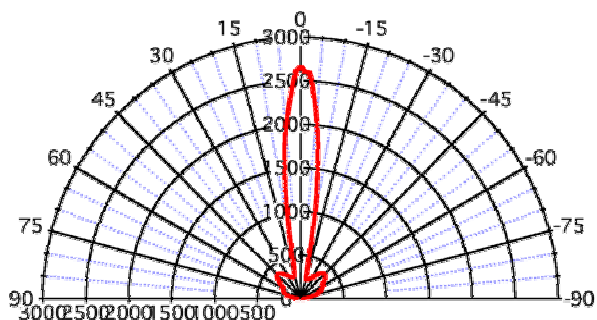
**High-Power Infrared Emitter without covering window**

### Applications

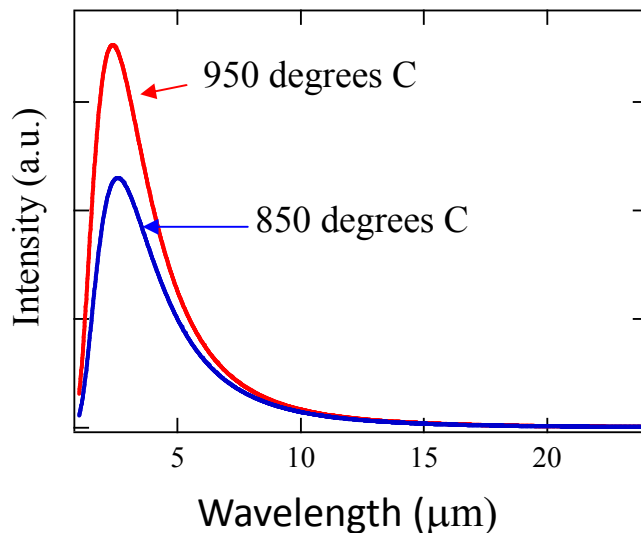
- ◆ Gas analysis (NDIR)
- ◆ Spectroscopy
- ◆ FT-IR, etc.

### Features

- ◆ Longer lifetime (>30000h@CW, MTBF)
- ◆ Low Cost
- ◆ High Power
- ◆ Wide emitting wavelength



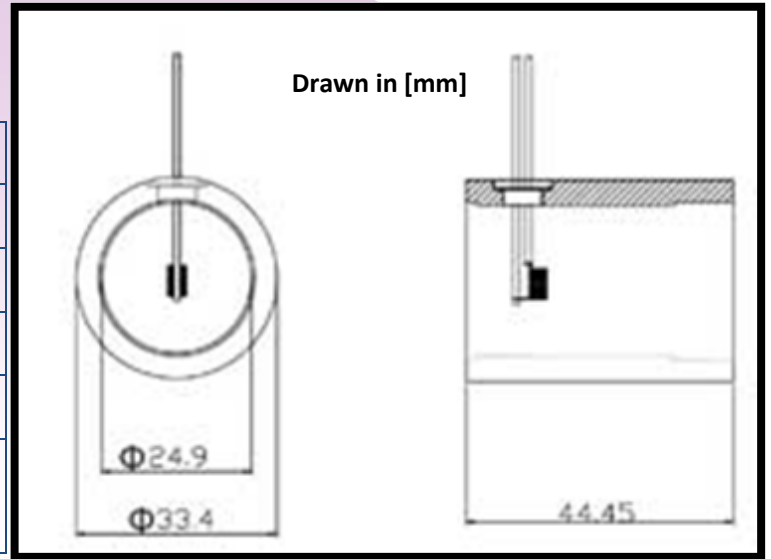
**Angular Distribution of IRS-001C**  
(about 100mm distance from the edge)



**Typical Spectrum of Blackbody radiation**

# Specification & Dimension

Input Voltage	5V
Current	1.4 - 1.6 A (@5V)
Filament Temp.	850 - 950 degrees C
Emissivity	$0.7 \pm 0.15$
Average lifetime	> 30,000 hours
Note	Add heat sink to keep the



Filament inside can be supplied without cylinder and mirror.



A reflector added onto its backside to propagate quasi-Collimated beam

# Application

