



Sockets



RoHS Compliant
ISO 9001
Certified

GENICOM						
Genicom Model Number	Andon Part Number Replace "XXX" with Terminal Type	Terminal Type		Pin Ø [in]	Figure Number	Page Number
		Thru-Hole	Surface Mount			
GUVA-T11GD	R100-0402-06T-XXX-R27-L14	75S	265S	.018	21C	1
GUVA-T11GD-L	R100-0402-06T-XXX-R27-L14	75S	265S	.018	21C	1
GUVA-T21GH	R197-0403-01T-XXX-R27-L14	01S	93S	.018	50-2	2
GUVA-T21GD-U	R197-0403-01T-XXX-R27-L14	01S	93S	.018	50-2	2
GUVB-T11GD	R100-0402-06T-XXX-R27-L14	75S	265S	.018	21C	1
GUVB-T11GD-L	R100-0402-06T-XXX-R27-L14	75S	265S	.018	21C	1
GUVB-T21GD-U	R197-0403-01T-XXX-R27-L14	01S	93S	.018	50-2	2
GUVB-T21GH	R197-0403-01T-XXX-R27-L14	01S	93S	.018	50-2	2
GUVV-T10GD	R100-0402-06T-XXX-R27-L14	75S	265S	.018	21C	1
GUVV-T10GD-L	R100-0402-06T-XXX-R27-L14	75S	265S	.018	21C	1
GUVV-T20GD-U	R197-0403-01T-XXX-R27-L14	01S	93S	.018	50-2	2
GUVV-T20GH	R197-0403-01T-XXX-R27-L14	01S	93S	.018	50-2	2
GUVV-T10GD	R100-0402-06T-XXX-R27-L14	75S	265S	.018	21C	1
GUVV-T10GD-L	R100-0402-06T-XXX-R27-L14	75S	265S	.018	21C	1
GUVV-T20GD-U	R197-0403-01T-XXX-R27-L14	01S	93S	.018	50-2	2
GUVV-T20GH	R197-0403-01T-XXX-R27-L14	01S	93S	.018	50-2	2
GVBL-T10GD	R100-0402-06T-XXX-R27-L14	75S	265S	.018	21C	1
GVBL-T11GD	R100-0402-06T-XXX-R27-L14	75S	265S	.018	21C	1
GVGR-T10GD	R100-0402-06T-XXX-R27-L14	74S	265S	.018	21C	1

Top View Shown Units: in [mm]

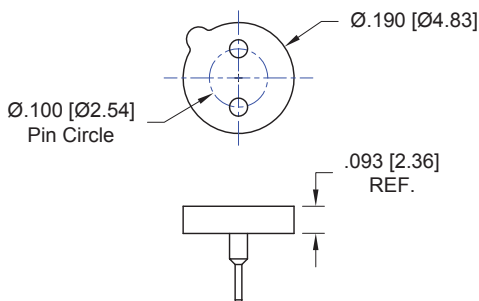


Fig. 21C

Thru-Hole: R100-0402-06T-75S-R27-L14
Surface Mount: R100-0402-06T-265S-R27-L14

Genicom Sockets Continued

Top View Shown
Units: in [mm]

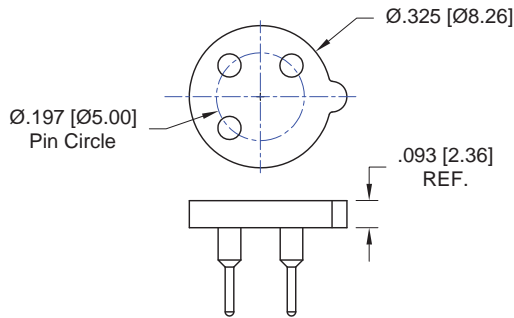
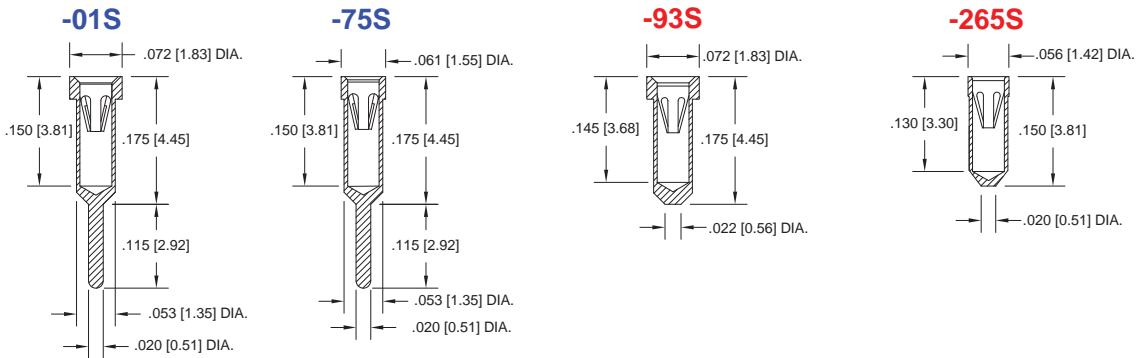


Fig. 50-2

Thru-Hole: R197-0403-01T-01S-R27-L14
Surface Mount: R197-0403-01T-93S-R27-L14

Socket Terminal Details
Cross Section View Shown Units: in [mm]



Material:

Insulator: Hi-Temp UL 94V-O
Terminal: Brass, per ASTM-B16
Contact: BeCu, Per ASTM-B194

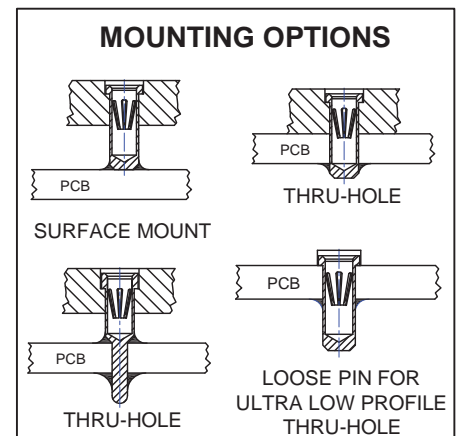
Plating: RoHS COMPLIANT

R27 TERMINAL: GOLD / CONTACT: GOLD

R17 TERMINAL: TIN / CONTACT: GOLD

OTHER PLATINGS AVAILABLE

Terminal Acceptance and Forces							
Thru Hole Terminals				Surface Mount Terminals			
Thru Hole Terminal	Accepts Pin Diameter	Insertion Force	Withdrawal Force	Surface Mount Terminal	Accepts Pin Diameter	Insertion Force	Withdrawal Force
-75S	Ø.018 [Ø1.46]	9.0 oz Avg.	2.0 oz Min	-265S	Ø.018 [Ø0.46]	9.0 oz Avg.	2.0 oz Min
-01S	Ø.018 [Ø0.46]	9.0 oz Avg.	2.0 oz Min	-93S	Ø.018 [Ø0.46]	9.0 oz Avg.	2.0 oz Min



©Copyright 2011 Andon Electronics Corporation. All Rights Reserved. This material is protected under US and other copyrights and may not be copied, sold, or redistributed in any form without written permission of Andon Electronics Corporation. Copyrights and trademarks are property of their respective companies. We reserve the right to change specifications without notice. Andon makes no warranty, expressed or implied, as to the suitability of the sockets for the intended purpose.

"ANDON PROPRIETARY INFORMATION"

RoHS Compliant

*Sockets are not drawn to scale **GENICOM** 08/31/2011



Electro Optical Components, Inc.

5460 Skylane Boulevard, Santa Rosa, CA 95403

Phone: (707) 568-1642 • FAX: (707) 568-1652

SUNSTAR 自动化 http://www.sensor-ic.com/ TEL: 0755-83376489 FAX: 0755-83376182 E-MAIL: szss200163.com

www.eoc-inc.com