

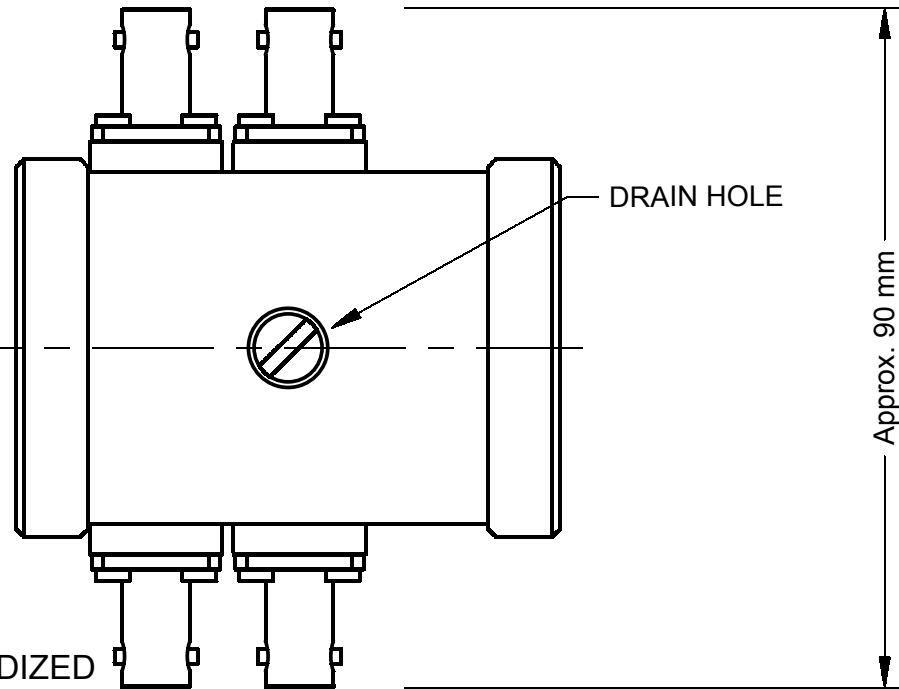
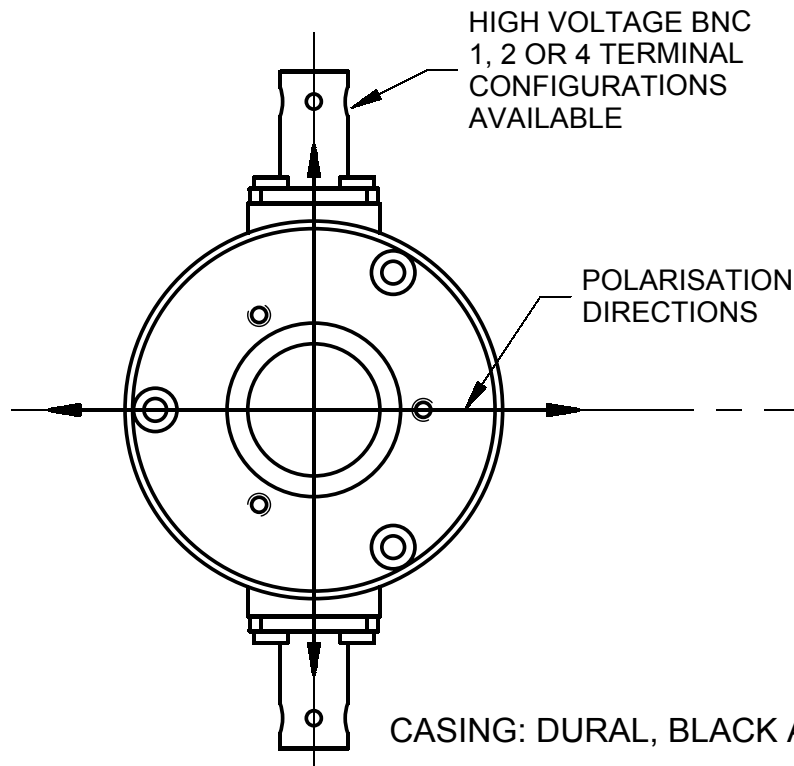
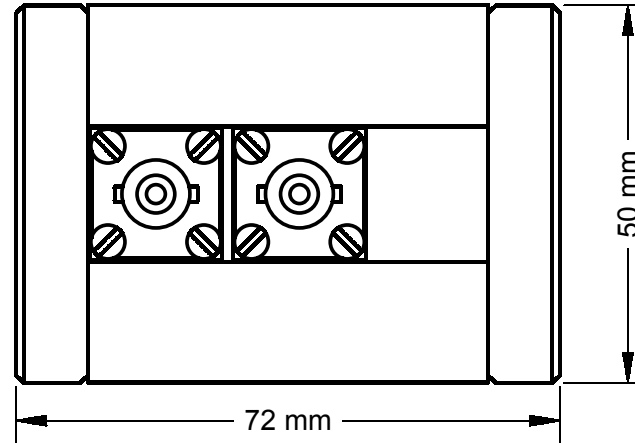


DRAWING FOR INFORMATION PURPOSES ONLY  
DOES NOT FORM A PART OF ANY SPECIFICATION  
IMPLIED OR OTHERWISE

DO NOT SCALE DRAWING

DESIGN SUBJECT TO CHANGE WITHOUT NOTICE

INPUT POLARISATION PARALLEL OR ORTHOGONAL  
TO AXES OF CONNECTORS



LEYSOP

DOUBLE Q-SWITCH

INTERFACE DRAWING

Scale  
1:1

Drawn  
S. PAYNE

Approved  
P. FRANKS

Issue  
1

Date  
24/10/01