



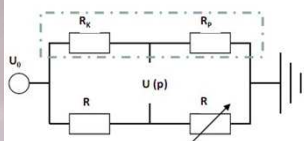
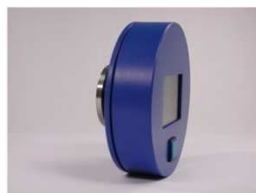
HVS Series

MEMS type Vacuum Sensor



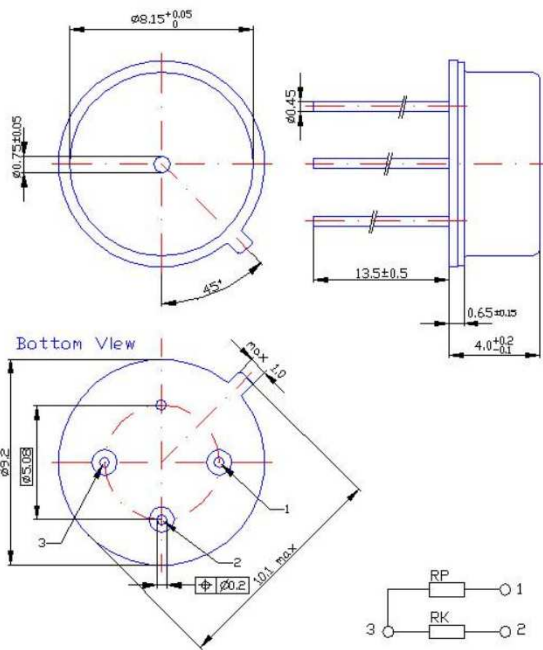
The Heimann vacuum sensor is a miniature Pirani-type sensor based on a heated resistor structure on a thin micromachined membrane.

The sensor comes in a small, robust, TO39 metal housing. An application set for first evaluation is in preparation.

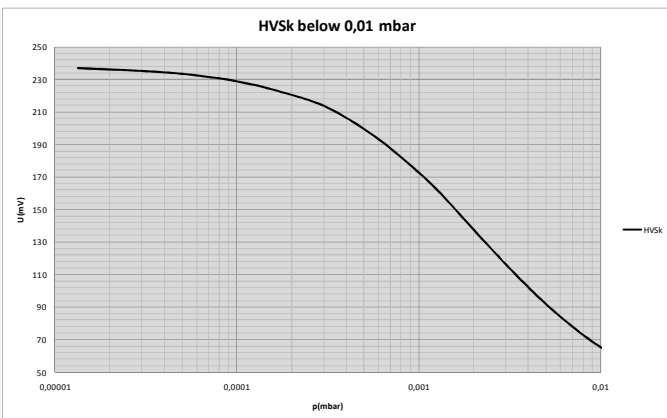
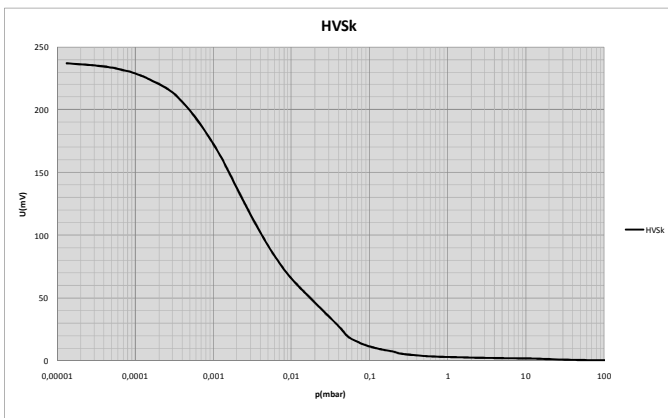


Vacuum Sensor Application Set

- range: 1 mbar – 10⁻⁵ mbar
- gas selection: N₂, He, Ar
- RS 232 interface
- calibration mode and zero balancing
- power supply 5V, 100 mA
- KF - small flange connection
- simple sensor exchange (TO39 housing)



Parameter	HVS	Unit
Sensor	HVSk	
Housing	TO39	
Chip size	4x4	mm ²
Resistance sensor chip	8	kOhm
On chip reference resistor	8	kOhm
Supply voltage sensor	< 0.8	Volt
Damage threshold	Signal Voltage should be < than 300 mV	
Time constant at 10 ⁻⁵ mbar	ca. 1	s
Device		
Supply voltage	5	Volt



Modifications reserved Rev.7 26.07.2011/DU

HEIMANN Sensor GmbH
Grenzstr. 22
D-01109 Dresden, Germany

Contact / Customer Support
Phone 49 (0) 6123 60 50 30
Fax 49 (0) 6123 60 50 39

Internet
www.heimannsensor.com
e-mail: info@heimannsensor.com