

ENGINEERING SAMPLES

PYROELECTRIC IR-DETECTOR

CUSTOMER : Xian jiaotong university
TYPE : PYS 3228 TC G5/G20
PART-NO. : Engineering samples
No. of samples : for information only

Thermally compensated two channel single element detector with lithium-tantalate crystal as sensing element, FET in source follower configuration.

This specification is provided by

PerkinElmer Optoelectronics GmbH & Co. KG, Wiesbaden.

It covers the complete technical data of a pyroelectric IR detector. All detectors have met the requirements of PerkinElmer test-specifications and passed outgoing inspection.

We kindly ask for approval with the return of a signed copy.

Checked:

Date: 10.01.06

Customer approval:

Date:

Electrical Configuration:

Two single sensing elements and two compensating elements are connected to built-in FET in source follower circuit, connections "Drain-Source-Ground". It is recommended to use a load resistor of 47 kΩ.

Electrical data:

Unless specified differently, all data refer to 25°C:

Responsivity: **min.: 2,2 kV/W** **typ.: 3,5 kV/W**

Responsivity is measured within spectral range 7 - 14 μm as per fig. 3 at 1Hz.
Temperature coefficient of responsivity typ.: -0.1 %/K.

Noise: **max.: 50 μV_{pp}** **typ.: 15 μV_{pp}**

After a 10 minute settling time, noise is monitored for the duration of 1500 sec. at a temperature of 25°C, shut from infrared energy, electrical bandwidth of 0.4 to 10Hz.

Operating voltage: $V_{DD} = 2-12 \text{ V}$

Source voltage: $V_S = 0.2-1.5 \text{ V}$

Drain-source voltage: $V_{DS} = \text{min } 0.5 \text{ V}$

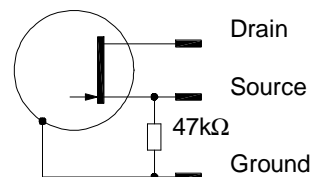


Fig.1: Test circuit

Typical Responsivity vs. Frequency

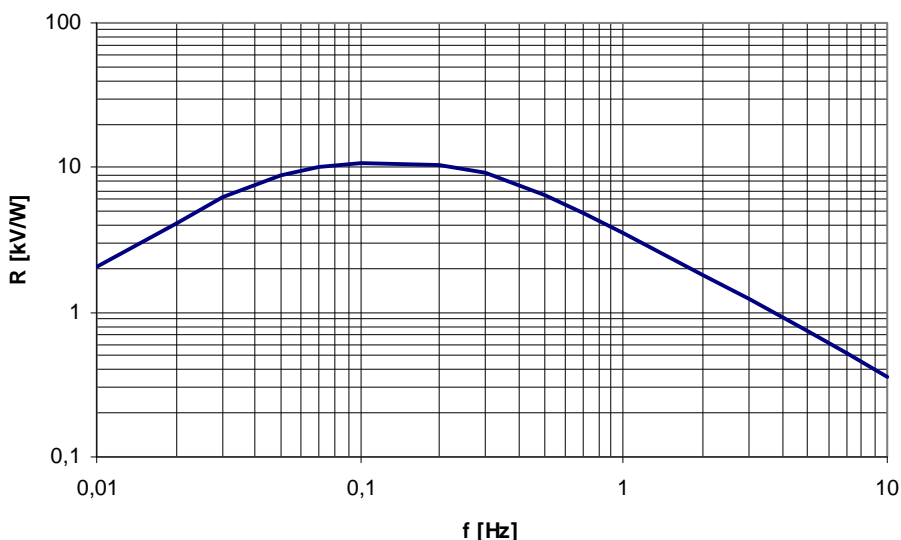
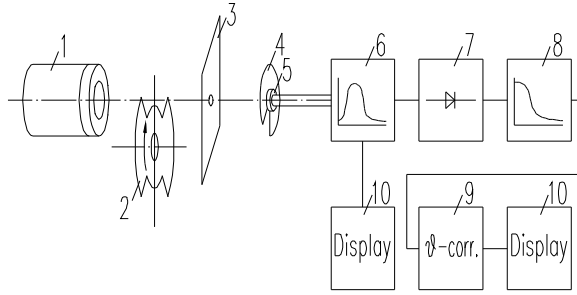


Fig.2: Frequency response

Test Set up



- 1: Black Body Radiator 373K = 100°C
- 2: 1 Hz Chopper
- 3: Aperture
- 4: Cover plate
- 5: Detector
- 6: Bandpass filter 1 Hz
- 7: Rectifier
- 8: Lowpass filter
- 9: Temperature compensation
- 10: Display

Fig.3: Test Set – up

Spectral range:

The spectral range of the detector is determined by filter built in (window).

Substrate: Silicon, multilayer coated

Filter (A;B)	Application	Centre wave length (μm)	Half power bandwidth (μm)
G20	Reference	4.00 ± 0.08	0.09 ± 0.02
G5	HC	3.40 ± 0.07	0.18 ± 0.02

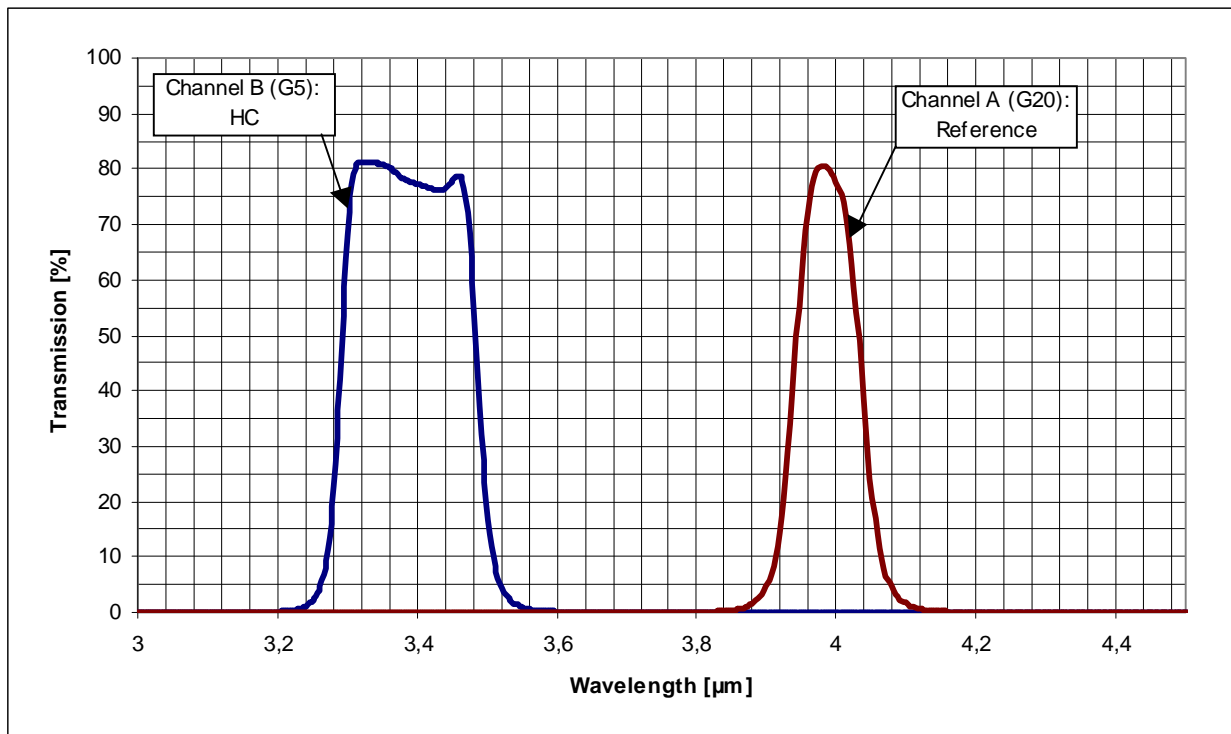


Fig.4: Filter Transmission

Configuration:

Housing: TO- 5 metal housing with infrared transparent window

Element size: 1.5 x 1.5 mm², see also drawing: 2/71321

Connections: Refer to drawing: 2/71321

Field of View

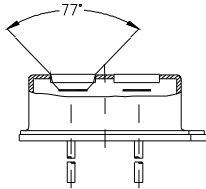


Fig.5: Field of View

Operating temperature: -40°C to +85°C

The electrical parameters may vary from specified values accordance with their temperature dependence.

Storage temperature: -40°C to +85°C

Avoid storage under high humid environment.

Humidity:

The IR-detector shall not increase noise or decrease responsivity when exposed to 95% r.H. at 30°C. Operation below dew point might effect performance.

Hermetic seal:

This IR-detector is sealed to pass a He-leakage test with maximum leak rate of 10⁻⁸ mbar·l·s⁻¹.

Quality:

PerkinElmer is a **QS 9000** certified manufacturer with established SPC and TQM. Detector out-going inspections include the parameters Responsivity, Match, Offset, Noise, Gross leak (Mil Std 883 method 1014C1) on 100%. Individual data are not stored, statistical details can be disclosed on request.

Handling:

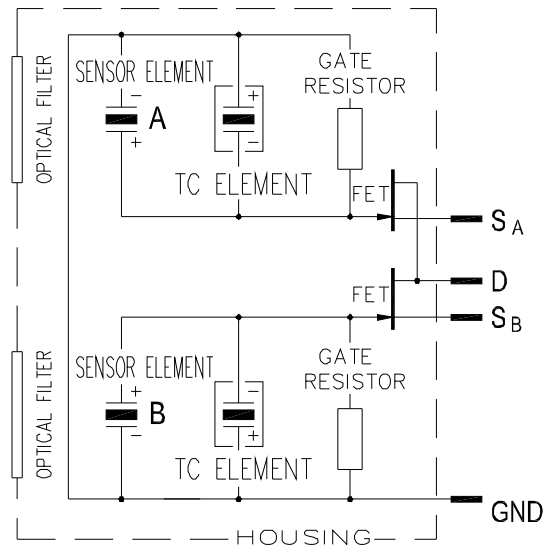
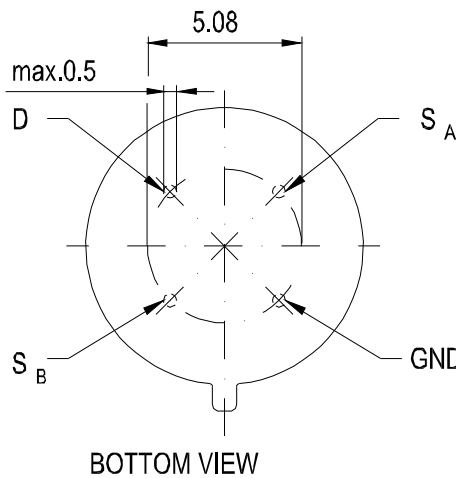
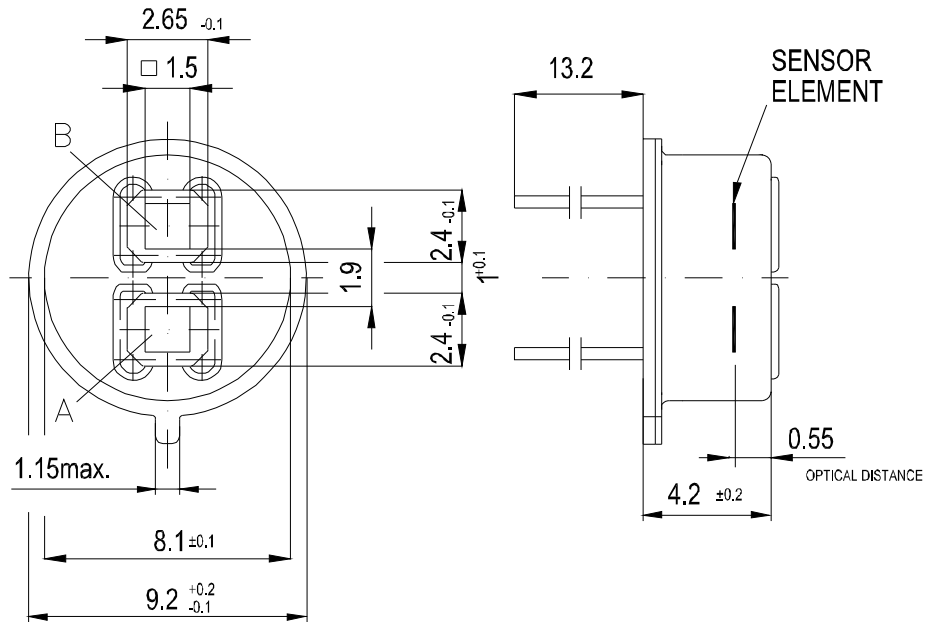
Electrostatic charges may destroy the detector. We recommend to apply precautions necessary for ESD devices to avoid damages. Do not apply physical force to detector leads. Do not expose detector to aggressive detergents such as freon, trichlorethylene, etc.


Solder conditions:

Hand soldering and standard wave soldering process may be applied. Avoid heat exposure to the top and the window of the detector. Reflow soldering is not recommended.

The reproduction, transmission or use of this document or its contents is not permitted without express written authority. Offenders will be liable for damages. All rights, including rights created by patent grant or registration of a utility model or design are reserved.

Weitergabe sowie Vervielfältigung dieser Unterlagen, Verwertung und Mitteilung ihres Inhalts ist nicht gestattet, soweit nicht ausdrücklich anders angegeben. Zuwiderhandlungen verpflichten zu Schadenersatz. Alle Rechte vorbehalten, insbesondere für den Fall der Patenterteilung oder GM-Eintragung.



Allgemeintoleranzen GENERAL TOLERANCES				Werkstückkanten/EDGES OF WORKING-PARTS ACC. DIN 6784		Form- u. Lagetoleranzen GEOMETRICAL TOLERANCES	
	Datum DATE	Name NAME	Werkstoff MATERIAL				
	Gez. DRAWN BY	08.10.02	Tkocz				
	Gepr. CHECKED BY						
	Maßstab SCALE	Benennung/TITLE					
		5:1	ELEMENTORIENTATION AND CONNECTIONS PYS 3228 TC			2/71321	
1	-	19.11.2003	Tkocz				Ersatz für/REPLACEMENT FOR
Index NO.	Änderung REVISION	Datum DATE	Name NAME				Ersetzt durch/REPLACED BY

A4.dwg