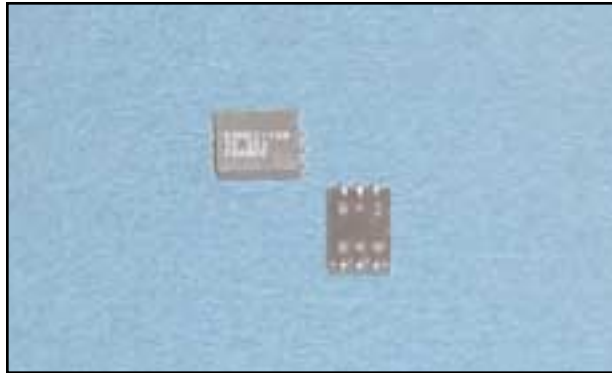


Analog Telephony / Modem Couplers



FEATURES

- Suitable for modem speeds up to V.32bis (14.4 kbps).
- Total Harmonic Distortion rated -76 dB max. @ 600 Hz, -10 dBm.
- Insertion Loss rated 2.00 dB max. @ 2000 Hz.
- Complies with IEC60950 Reinforced safety norms.
- Matches 600 Ohm and complex impedance telephone lines.
- Uses minimal external components for impedance matching.
- Ultra-small PCB footprint (14.2 mm x 9.6 mm).
- Very Low-Profile (7.0 mm).
- SMT Industry-standard pin configuration.

DESCRIPTION

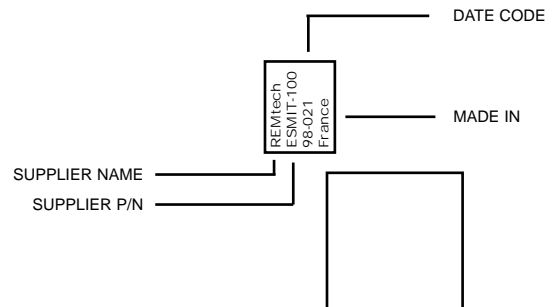
The REMtech Magnetics ESMIT-100 is a “Dry” Encapsulated SMT Modem Isolation Transformer suitable for up to V.32bis (14.4 kbps) analog modem and voice applications requiring SMT and small PCB footprint. ESMIT-100 complies with International safety norms.

Typical applications for ESMIT-100 include computer telephony routers, POS and electronic payment terminals, electric utility meter readers, and boards with gangs of telephone interface circuits requiring ESMIT-100’s small footprint, but not thin profile.

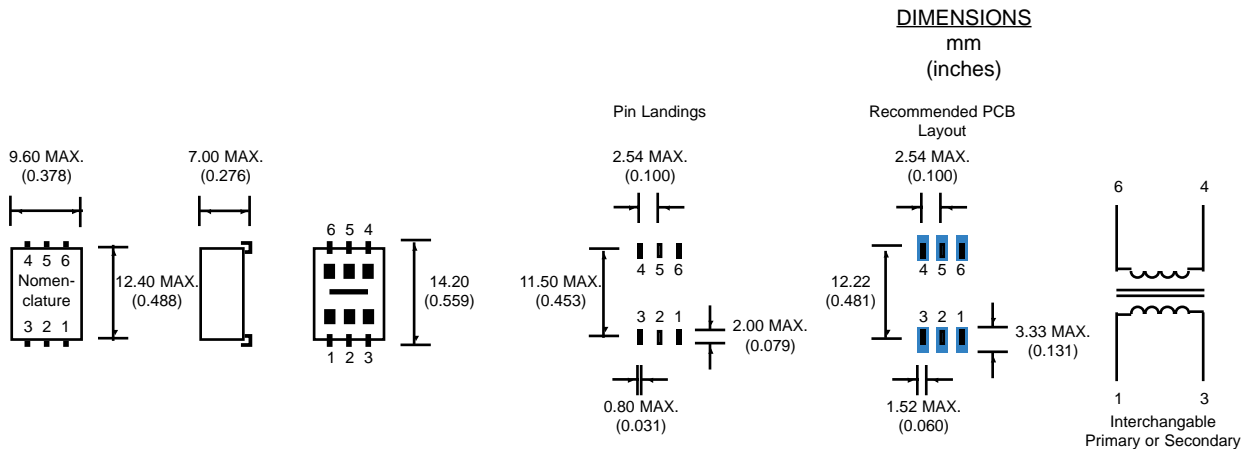
PRODUCT COMPLIANCE

- UL / C-UL recognized file number: E171120
- BSI certificate number(s): 8264
- BABT certificate of recognition: 1905

NOMENCLATURE (Fig. 1)



MECHANICAL DIMENSIONS (Fig. 2)



Literature Number: DSA.ESMIT-100
© Copyright 2000, REMtech Corporation
All rights reserved. Printed in U.S.A.
9/00

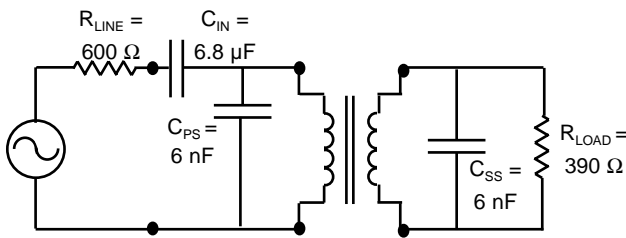
Analog Telephony / Modem Couplers

ELECTRICAL PERFORMANCE SPECIFICATIONS

Electrical Performance Specifications ($T_A = 25\text{ }^\circ\text{C}$ unless otherwise specified)

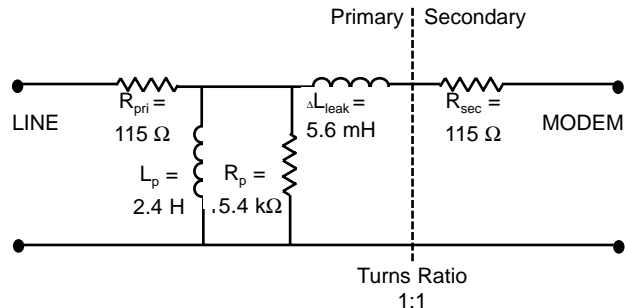
PARAMETERS	CONDITIONS	MIN	TYP	MAX	UNITS
Impedance	Reflected on Primary With Load on Secondary	-	600	-	Ohms
		-	390	-	Ohms
Total Harmonic Distortion	@ 600 Hz, -10 dBm	-	-80	-76	dB
Insertion Loss	Per IEEE method; @ 2000 Hz, 20 °C	-	1.85	2.00	dB
Return Loss	200 Hz - 4000 Hz Per 600 Ohm Match (Fig. 3) Per CTR21 Pan-Euro Match (Fig. 10)	24	-	-	dB
		28	-	-	dB
Dielectric Breakdown Isolation Production methods applied:	Safety Standard tested 1 Min.	3000	-	-	Vrms
	HiPot Voltage	3750	-	-	Vrms
	Duration	2	-	-	Sec
	Trip Leakage Current	-	-	200	μA
Frequency Response	200 Hz - 4000 Hz	-	± 0.25	-	dB
Longitudinal Balance	Per FCC part 68.310 60 Hz - 4000 Hz	80	-	-	dB
DC Resistance @ 20°C, $\pm 15\%$	Primary Winding Secondary Winding	-	115	-	Ohms
		-	115	-	Ohms
DC Current in Primary	-	-	0	-	mADC
Turns Ratio	Primary to Secondary; $\pm 2\%$	-	1:1	-	Turns
Operating Temperature	-	0	-	70	$^\circ\text{C}$
Storage Temperature	-	-40	-	125	$^\circ\text{C}$
Soldering Temperature	10 Sec. Max.; suitable for IR reflow	-	-	240	$^\circ\text{C}$

600 OHM MATCH (Fig. 3)



SCHEMATIC EQUIVALENT (Fig. 4)

(Typical Transformer Model @ 1 V, 1 kHz except as noted)



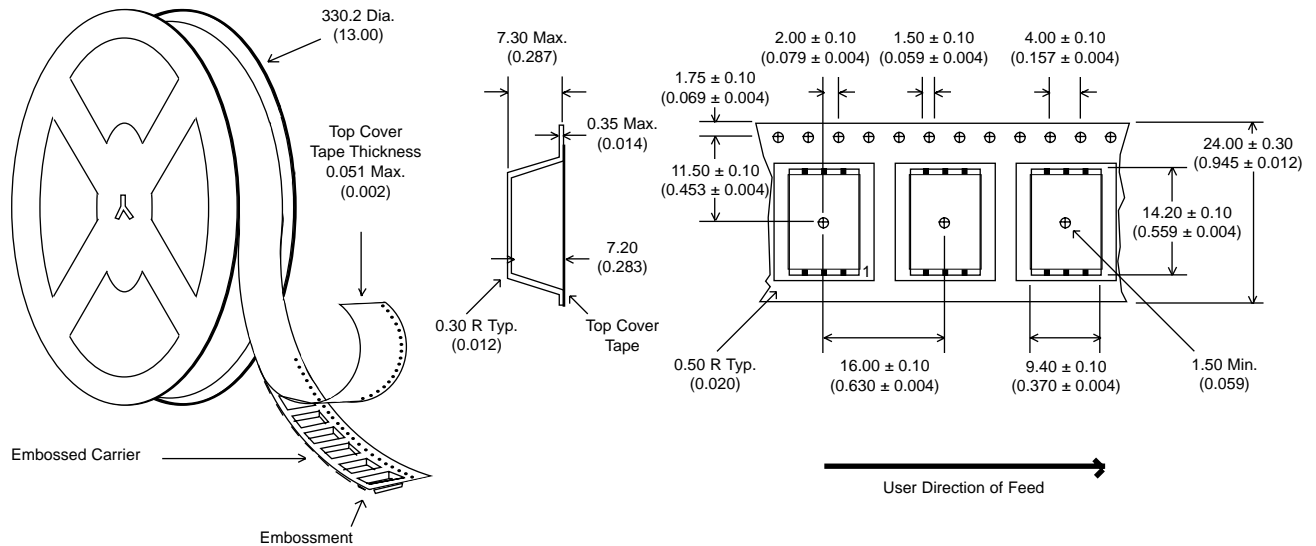
Shunt Inductance (L_p) > 2.5 H min. @ 10 Hz; 100 mV
Shunt Loss (R_p) > 7.5 k Ω @ 200 Hz; -43 dBm

REMtech Corporation makes no assertion or warranty that the circuitry and the uses thereof disclosed herein are non-infringing on any valid US or foreign patents. REMtech assumes no liability as a result of the use of said specifications and reserves the right to make changes to specifications without notice. REMtech does not authorize or warrant any REMtech device for use in life support devices and/or systems. Contact your nearest REMtech Sales Office for the latest specifications.

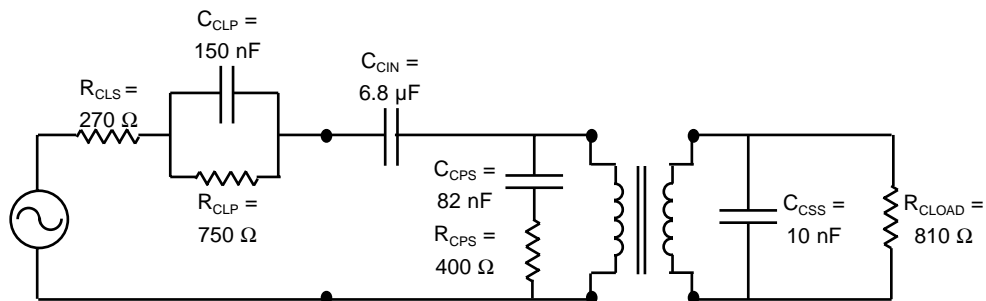
Literature Number: DSB.ESMIT-100
© Copyright 2000, REMtech Corporation
All rights reserved. Printed in U.S.A.
9/00

STANDARD PACKAGING (Fig. 9)

Tape and Reel Packaging for ESMIT-100



PAN-EUROPEAN CTR21 MATCH (Fig. 10)

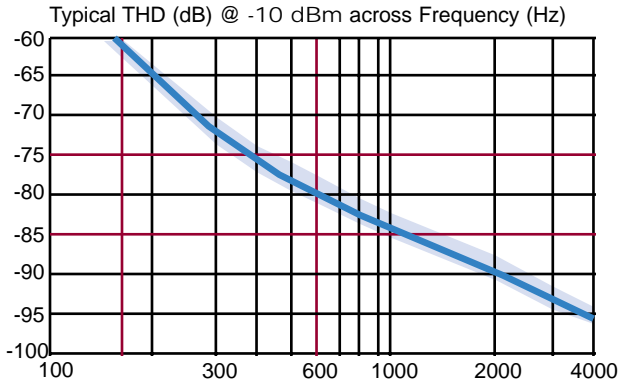


Literature Number: DSC.ESMIT-100
 © Copyright 2000, REMtech Corporation
 All rights reserved. Printed in U.S.A.
 9/00

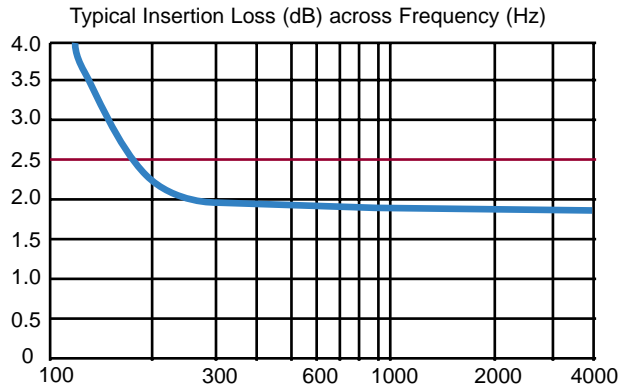
Analog Telephony / Modem Couplers

PERFORMANCE DATA

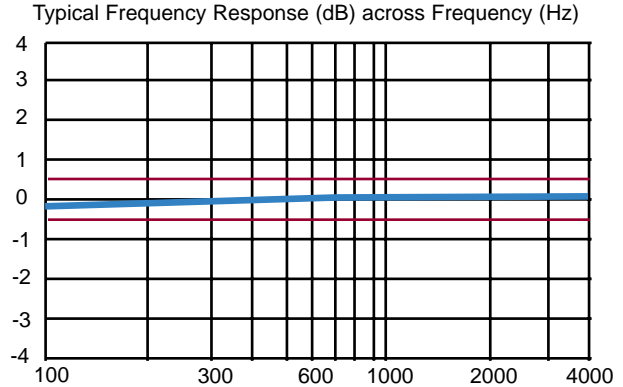
TOTAL HARMONIC DISTORTION (Fig. 5)



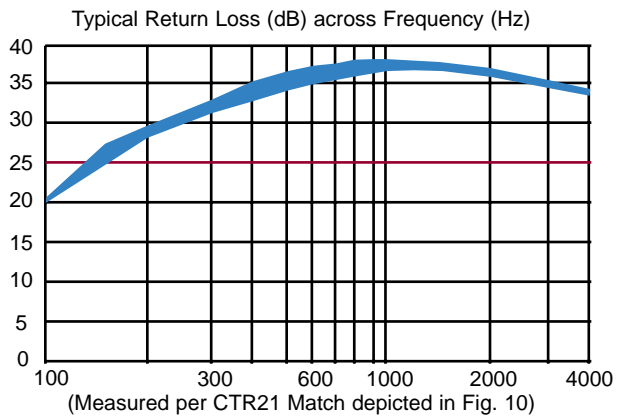
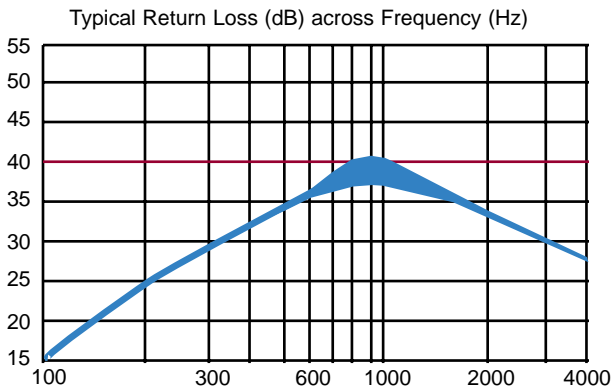
INSERTION LOSS (Fig. 6)



FREQUENCY RESPONSE (Fig. 7)



RETURN LOSS (Fig. 8)



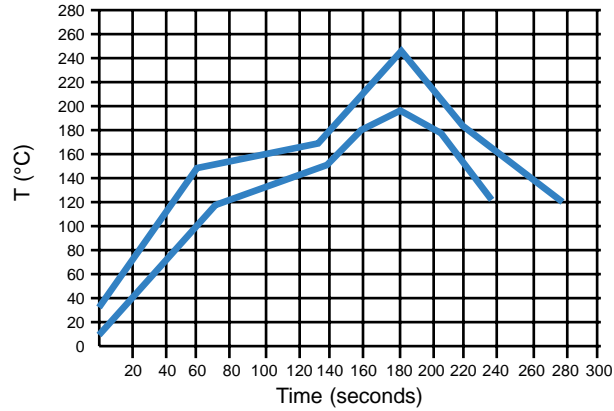
Note y-axis.

REMtech Corporation makes no assertion or warranty that the circuitry and the uses thereof disclosed herein are non-infringing on any valid US or foreign patents. REMtech assumes no liability as a result of the use of said specifications and reserves the right to make changes to specifications without notice. REMtech does not authorize or warrant any REMtech device for use in life support devices and/or systems. Contact your nearest REMtech Sales Office for the latest specifications.

Literature Number: DSD.ESMIT-100
© Copyright 2000, REMtech Corporation
All rights reserved. Printed in U.S.A.
9/00

ADDITIONAL DATA

TYPICAL REFLOW PROFILE (Fig. 11)



Literature Number: DSE.ESMIT-100
© Copyright 2000, REMtech Corporation
All rights reserved. Printed in U.S.A.
9/00