

# DIFFERENTIAL PRESSURE TRANSMITTER

**Models 115, 215, 315**  
**115X,P, 215X,P, 315X,P,Z**

## FEATURES:

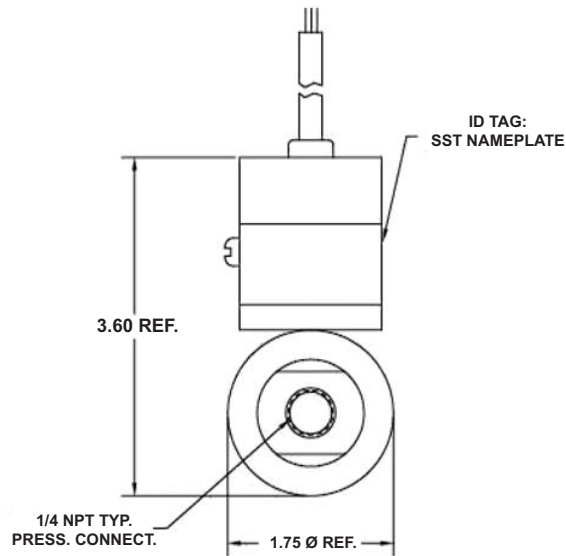
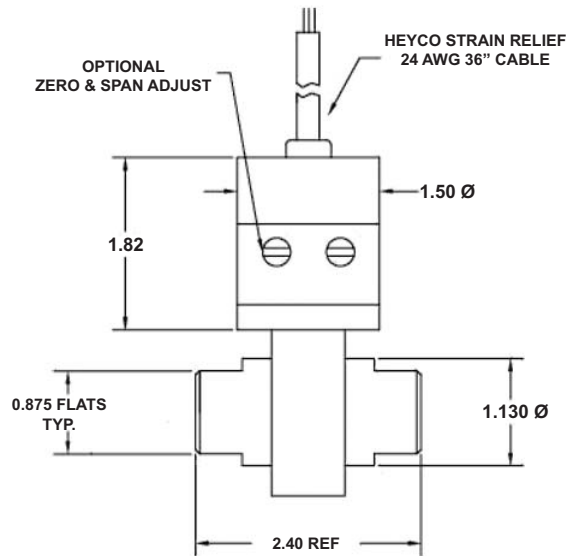
- Rugged, all welded, totally encapsulated electronics
- Leakproof. No O-ring construction
- Small size
- All Stainless Steel wetted parts
- Base pressure to 10,000 psi (with option HM)
- Explosion Proof & Intrinsically Safe Approvals

## PRESSURE RANGES:

- From 30 to 5000 psid
- From 2 to 300 bar
- (Bi-directional available see ordering guide.)



(Shown with "315X" + "HM" option)



Some options will affect dimensions. Consult factory if important.

## WIRING CODE

Some connector options will affect wiring.

	115	215	315
A/1 RED	+ EXCIT.	+ EXCIT.	+ EXCIT./SIGNAL
B/2 GREEN	+ SIGNAL	+ SIGNAL	NC
C/3 WHITE	- SIGNAL	NC	NC
D/4 BLACK	- EXCIT.	- EXCIT./SIGNAL	- EXCIT./SIGNAL
E/5 BLUE	NC OPTION GH	NC OPTION GH	NC OPTION GH
F/6 BROWN	NC OPTION GH	NC OPTION GH	NC OPTION GH
SHIELD	OPEN	OPEN	OPEN

GP:50 reserves the right to make product improvements and amendments to the product specifications stated throughout this brochure without prior notification. Please contact the factory on all critical dimensions and specifications for verification.

A5SL-15.00 Rev C

**INDUSTRIAL GRADE**



Specifications reflect standard product, improved performance/mechanical options available.  
 Modifications may alter specs, consult factory for more info.

<b>Temperature Compensation *</b>	
Zero	≤ ±2% FSO/100°F
Span	≤ ±2% FSO/100°F
<b>Temperature Limits *</b>	
Compensated	+70° to +180° F
Operating	-20° to +190° F
Storage	-65° to +250° F
<b>Electricals (Consult factory for ATEX approval)</b>	
Excitation Voltage (Model 115)	3.5-15 Vdc
(Models 215/215X)	9-40 Vdc / 10.5-32 Vdc
(Models 315/315Z)	9-36 Vdc
(Model 315X)	13-36 Vdc
Output at 70° F (Model 115)	3 mV/V ±2% FSO
(Models 215/215X)	0 ±5 Vdc ±2% FSO
(Models 315/315X/315Z)	4-20 mA ±2% FSO
Zero Balance*	
(Model 115)	0.0 mV/V ±2% FSO at 70°F at 10 Vdc
(Model 215)	0.0 Vdc ±2% FSO at 70°F at 24 Vdc
(Model 315)	4.0 mA ±2% FSO at 70°F at 24 Vdc
Input Impedance (Model 115)	5000 ohms nominal
Input Current (Model 215)	10 mA nominal
Load Impedance (Model 115)	50,000 ohms minimum for less than 0.1% FSO attenuation.
(Model 215)	750 ohms maximum at 24 Vdc and 1350 ohms at 36 Vdc.
Output Current (Model 215)	2.0 mA maximum for less than 0.1% FSO attenuation.
<b>Mechanicals</b>	
Proof Pressure *	10 times full scale pressure range or 3000 psi, whichever is less
Burst Pressure	15 times full scale pressure range or 4000 psi, whichever is less.
Weight	16 oz. nominal.
Static Line Pressure *	2000 psi maximum (10,000 psi option)
Static Line Shift (Zero Shift)	±1% FSO/1000 PSI
Wetted Materials *	316 Stainless Steel
Enclosure Material	17-4 and 316 Stainless Steel
Mounting	Pressure Port
<b>Connections</b>	
Pressure *	1/4" NPT (F)
Electrical *	
Cable	
(Models 115, 215)	36" long, 4 conductor
(Model 315)	36" long, 2 conductor

\* See modifications on ordering guide.

## ORDERING GUIDE:

MODEL	SERIES	RANGE	OPTIONS
●	—	●	— ● / ● / ●

Example: 215-B-PV-CA/GJ

### MODEL

115	3 mV/V
215	0-5 Vdc
315	4-20 mA
215X	0-5 Vdc Explosion Proof
315X	4-20 mA Explosion Proof
315Z	4-20 mA Intrinsically Safe

### SERIES (ACCURACY)

A	1.0% FSO
B	0.5% FSO
C	0.2% FSO

### PRESSURE RANGE

PSI			
PT 30	RF 300	RS 2500	
PV 50	RH 500	RT 3000**	
PX 75	RJ 600	RV 5000**	
PZ 100	RK 750	RW 6000**	
RB 150	RM 1000	RX 7500**	
RD 200	RO 1500	SZ Other	
RE 250	RR 2000		

\*\*Available with option HM only

### OPTIONS

AA None (standard connector)

### ALTERNATE CONNECTOR OR CABLE

CA	Bendix PTIH-10-6P (Mate: PTO6E-10-6S [SR], not supplied)
CB	Bendix CF3102E-14S-6P (Mate: CF 3106E-14A-6S (not supplied))
CE	Terminal Block
CF	1/2" NPT (M) thread with 24" potted leads. (Std. on explosion proof models)
CH	NEMA-4X cable, 8' vented polyurethane jacket cable
CJ	DIN 43650 (includes mate)
CL	1/2" NPT (M) conduit, 2' vented polyurethane jacket cable
CO	Junction Box (thermocouple type) and Terminal Block
CT	Teflon jacketed cable, Tefzel used on submersible units, (options CH, CL, DE)

### ALTERNATE PRESSURE PORT

FA	MS33649-4 (1/4 AND-10050, [F])
FC	3/8" NPT (F)
FZ	Non-Standard Pressure Port

### GENERAL

CW	Submersible non-vented cable (max. 500 psi external).
DE	IP-67 (NEMA-6) vented polyurethane cable, neoprene grommet
GA	Standardized Output to ±0.5% FSO
GB	Alternate Full Scale, Outputs that are non-standard
GE	Improved Temperature Compensation to ±0.5% FSO/100°F for Zero and Span respect.
GF	Expanded process temperature range, -65 to 250°F (±2% FSO/100°F)
GG	Alternate Calibration Resistor Signal
GH	Internal Calibration Resistor, set to 100% ±0.5% FSO
GJ	Zero and Span Controls (Approximately ±20% FSO) Models 215 and 315 only
GL	Cleaned for Oxygen Service
GS	0-10 Vdc FSO, Model 215. (Requires 16-40 Vdc excitation)
HK	NEMA-4X rating
HL	RFI Protection (for unit in proximity to radio transmitter).
HM	10,000 psi Base Pressure Flange Girdle. (Proof pressure 10 times full scale range or 10,000 psi, whichever is less. Burst pressure 15 times full scale range or 10,500 psi, whichever is less). ±15 Vdc Excitation, Model 215
HR	Zero and Span Controls for Explosion-Proof Units.
MD	Zero and Span Controls for Explosion-Proof Units.
MS	Bi-Directional Differential Pressure allows for both positive and Negative signal (Model 315 has a 12 mA zero).